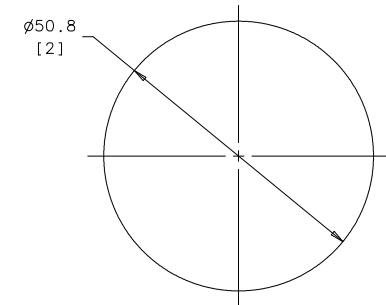
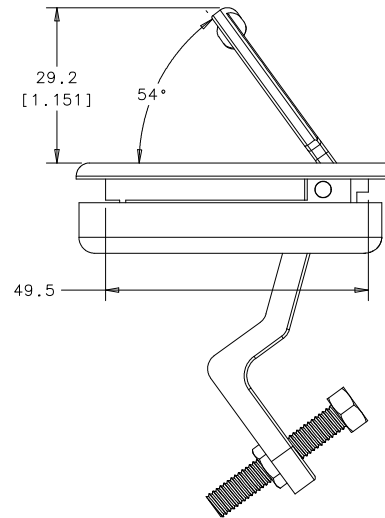
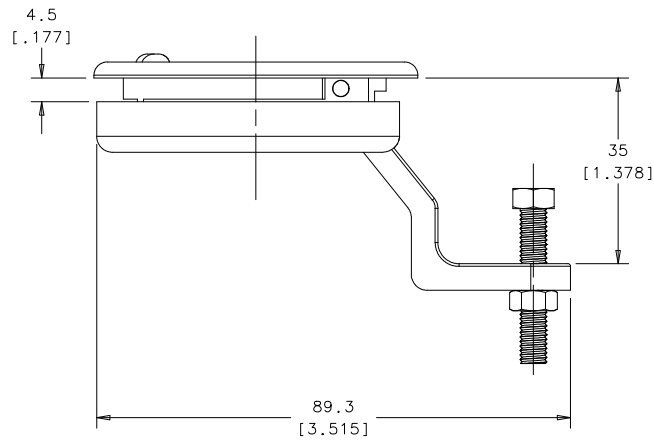
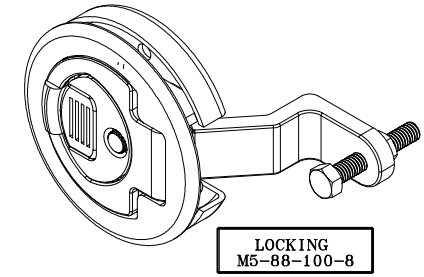
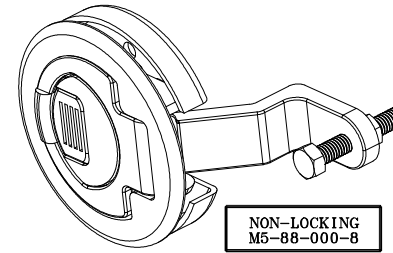
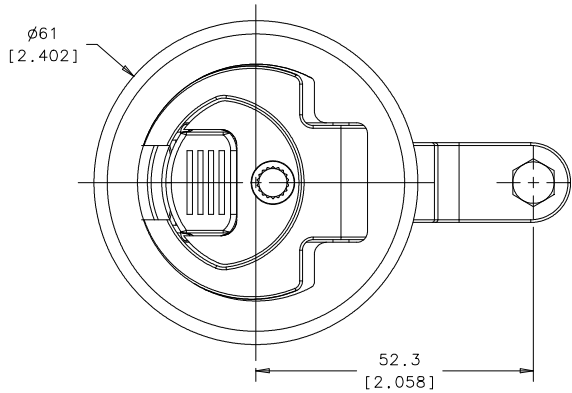


| REVISION HISTORY | | | |
|------------------|-----------|-----|-----------------|
| REV | DATE | BY | DESCRIPTION |
| B | 23SEP2009 | ACH | PRN: P2009-1126 |



PANEL PREPARATION

NOTES:

A. MATERIAL AND FINISH:

LOCKPLUG, HANDLE, HOUSING - CF-8M STAINLESS STEEL, (NOMINAL CAST EQUIVALENT OF 316 STAINLESS STEEL), POLISHED.
 U-BENT WASHER, SPRING, NUT, PIN, BOLT, CUP, LEVER, PAWL - 304 STAINLESS STEEL, PASSIVATED.

| | | | | |
|---|-------------|---|--------------|-------------|
| ASSEMBLY | M5-88-000-8 | SEE NOTE A | SEE NOTE A | NON-LOCKING |
| ASSEMBLY | M5-88-100-8 | SEE NOTE A | SEE NOTE A | LOCKING |
| ITEM | PART NUMBER | MATERIAL | FINISH | DESCRIPTION |
| THIRD ANGLE PROJECTION | | | | |
| MILLIMETERS [IN] | | | | |
| TOLERANCES UNLESS OTHERWISE NOTED | | TITLE | | |
| ALL DIMENSIONS WITHOUT TOLERANCES ARE FOR REFERENCE ONLY. | | southco CONNECT · CREATE · INNOVATE LEVER LATCH-ROUND LOCKING | | |
| PROPRIETARY ITEM EXCEPT FOR USES EXPRESSLY GRANTED IN WRITING. INFORMATION DISCLOSED HEREON IS CONFIDENTIAL AND ALL RIGHTS, PATENT AND OTHERWISE, ARE RESERVED BY SOUTHCO, INC. | | SIZE | SYSTEM | DWG NO. |
| PER ASME Y14.5M-1994 | | A3 | IDEAS | J-M5-88-100 |
| DRAWN BY | | RLR | DATE | 02FEB2009 |
| SCALE | | 1:1 | SHEET 1 OF 1 | |