

REVISION HISTORY			
REV	DATE	BY	DESCRIPTION
B	29MAR2023	APA/VK	PRN: P2023-0586

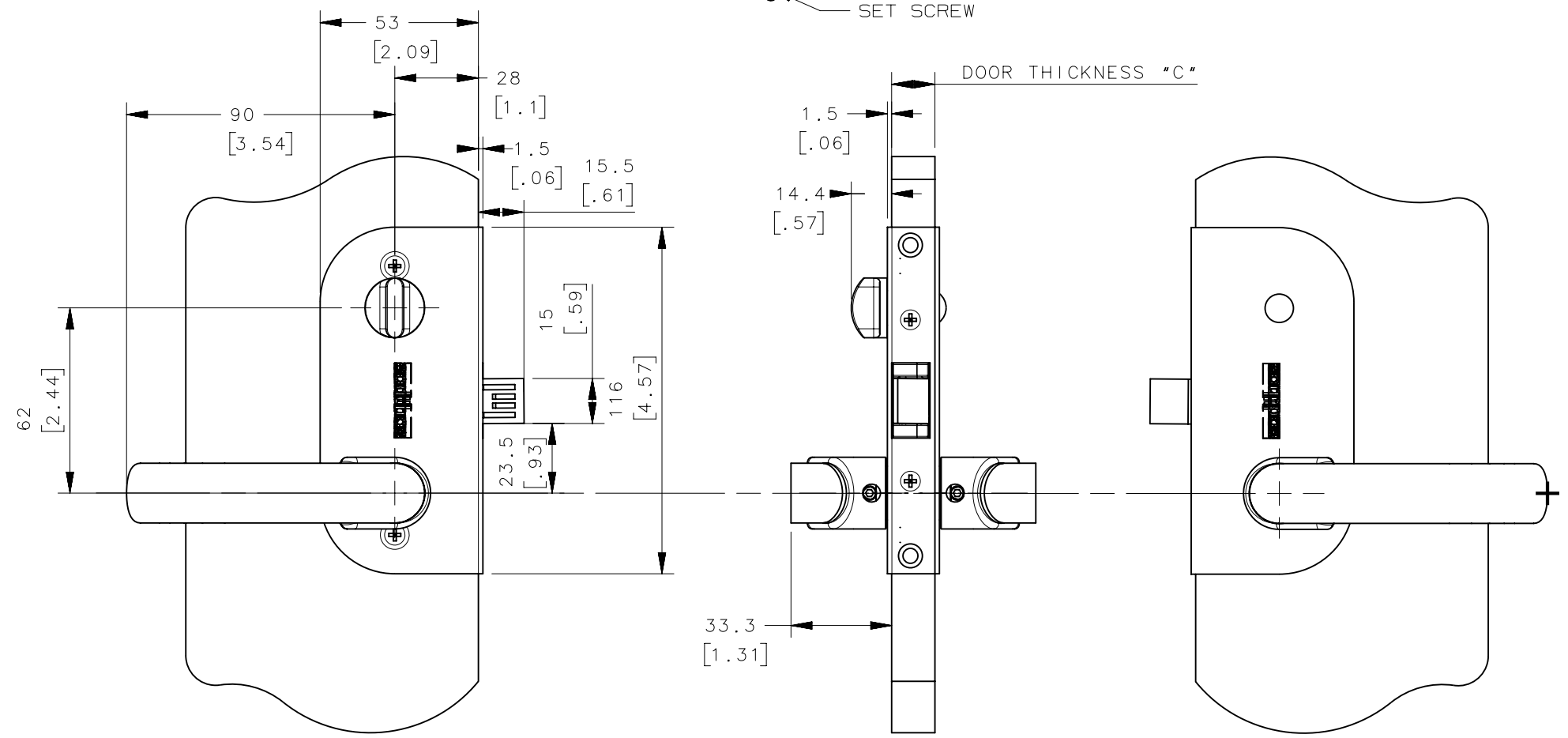
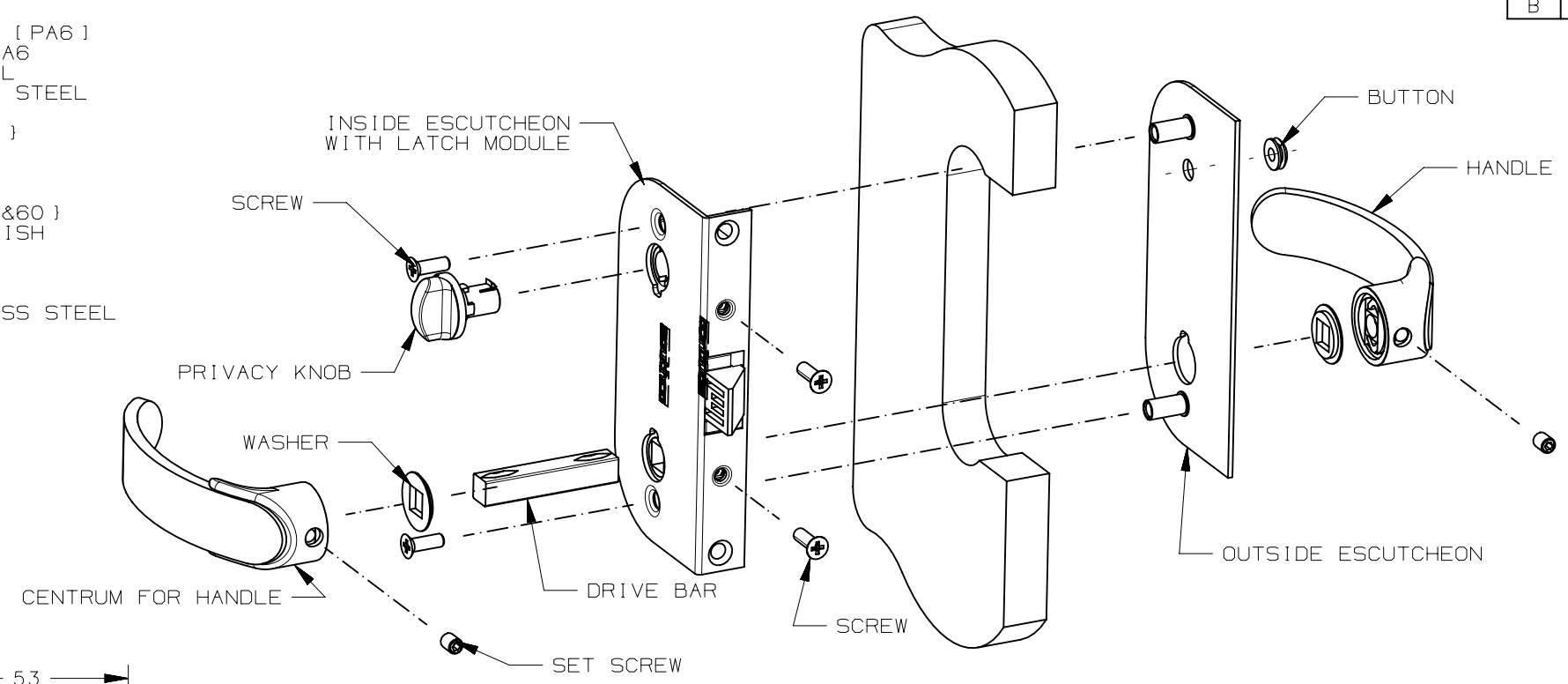
MATERIAL AND FINISH
LATCH MODULE
 - LOCK ENGINE: ALUMINIUM
 - DEAD BOLT: REINFORCED NYLON (PA6)
 - INTERNAL COMPONENTS: POM, PA6
 - SPRINGS: 304 STAINLESS STEEL
SCREWS AND NUTS: 316 STAINLESS STEEL
HANDLES: BRASS (YY = 10)
 ALUMINIUM: (YY = 50&60)
 SEE TABLE FOR FINISH
CENTRUM FOR HANDLES: POM.
ESCUTCHEONS: BRASS (YY 10)
 ALUMINIUM: (YY = 50&60)
 SEE TABLE FOR FINISH
PRIVACY KNOB: POM.
DRIVEBAR: ALUMINIUM
WASHERS: POM.
SET SCREWS 10/32": 316 STAINLESS STEEL

PART NUMBER SYSTEM
 ME-01-AOC-YY

DIRECTION
 DOOR THICKNESS
 FINISH

DIRECTION (A)	FINISH FOR HANDLES AND ESCUTCHEONS (YY)
2 - RIGHT OUT	10 - CHROME
3 - RIGHT IN	50 - BLACK
4 - LEFT OUT	60 - ALUMINIUM
5 - LEFT IN	

DOOR THICKNESS	
0 - 12.5-15mm	[1/2" - 5/8"]
1 - 14.5-17mm	[9/16" - 11/16"]
2 - 17-19mm	[11/16" - 3/4"]
3 - 19-21mm	[3/4" - 7/8"]

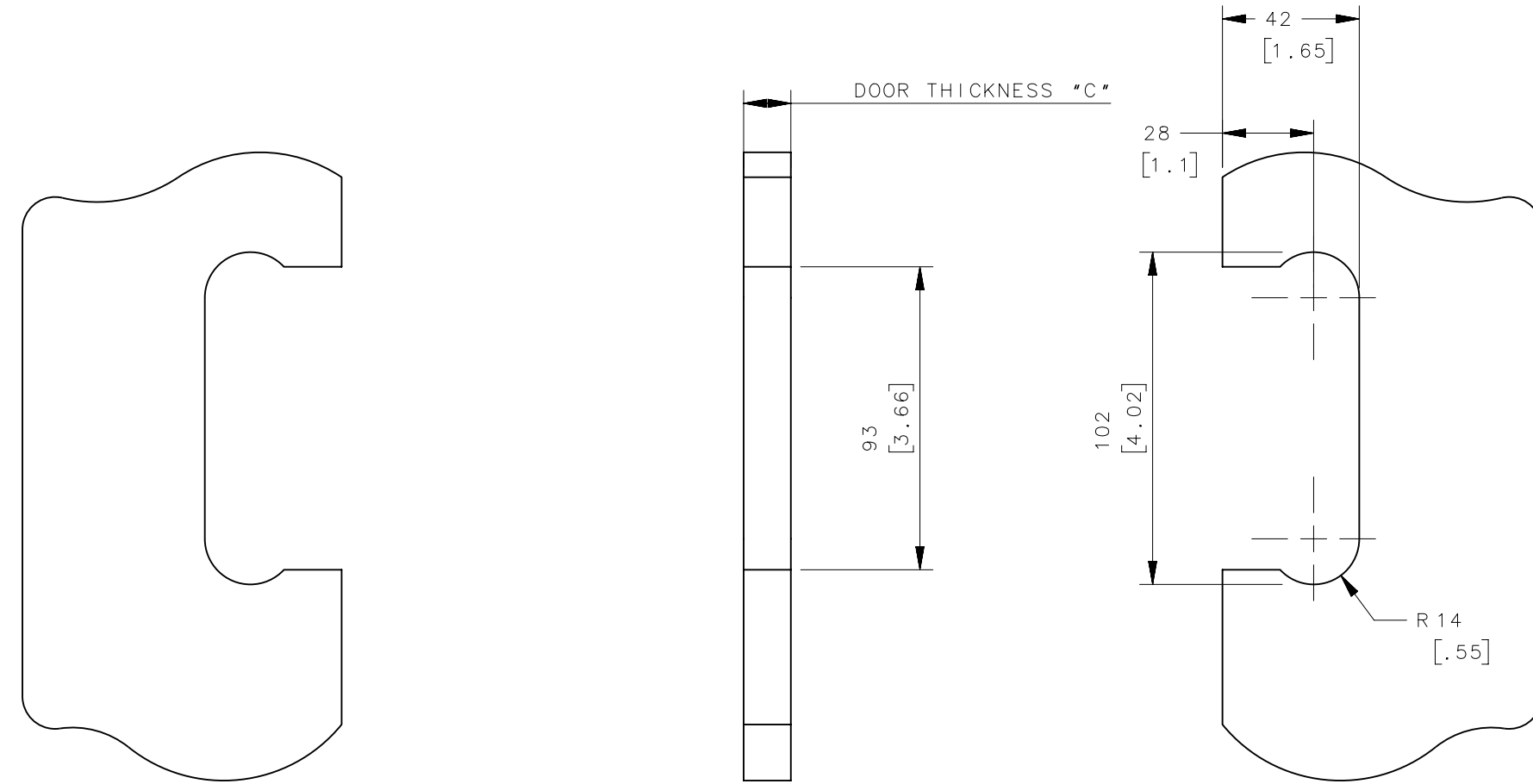


NOTES

- DOOR THICKNESS RANGE "C": 12.5 - 21mm [1/22 - 7/8"]
- FOR PANEL PREPARATIONS, SEE DRAWING NUMBER J-ME-01-AOC-YY SHEET 2.
- FOR AVAILABLE STRIKERS SEE: H-MC-90-2XX-YY, H-MC-90-3XX-YY AND H-MC-9590
- SEE SOUTHCO MARINE HANDBOOK FOR MORE DETAILED INSTALLATION INSTRUCTIONS.

THIRD ANGLE PROJECTION			 CONNECT • CREATE • INNOVATE	
TOLERANCES UNLESS OTHERWISE NOTED		DESCRIPTION		
ALL DIMENSIONS WITHOUT TOLERANCES ARE FOR REFERENCE ONLY.		OFFSHORE FLUSH PRIVACY LOCKING PANEL PREPARATION		
PROPRIETARY ITEM	PER ASME Y14.5M-1994	SIZE A3	SYSTEM NX	DWG NO. J-ME-01-AOC-YY
EXCEPT FOR USES EXPRESSLY GRANTED IN WRITING, INFORMATION DISCLOSED HEREON IS CONFIDENTIAL AND ALL RIGHTS, PATENT AND OTHERWISE, ARE RESERVED BY SOUTHCO, INC.		DRAWN BY MF/HJ	DATE 12OCT2009	SCALE 1:2 SHEET 1 OF 2

REVISION HISTORY			
REV	DATE	BY	DESCRIPTION
B	29MAR2023	APA/VK	PRN: P2023-0586



NOTE:
 -PANEL PREPERATION FOR ASSEMBLIES ME-01-ABC-YY

THIRD ANGLE PROJECTION		southco [®] CONNECT • CREATE • INNOVATE	
MILLIMETERS [IN]			
TOLERANCES UNLESS OTHERWISE NOTED		DESCRIPTION OFFSHORE FLUSH PRIVACY LOCKING PANEL PREPERATION	
ALL DIMENSIONS WITHOUT TOLERANCES ARE FOR REFERENCE ONLY.		SIZE A3	SYSTEM NX
PROPRIETARY ITEM EXCEPT FOR USES EXPRESSLY GRANTED IN WRITING, INFORMATION DISCLOSED HEREON IS CONFIDENTIAL AND ALL RIGHTS, PATENT AND OTHERWISE, ARE RESERVED BY SOUTHCO, INC.		DATE 12OCT2009	DWG NO. J-ME-01-AOC-YY
PER ASME Y14.5M-1994		DRAWN BY MF/HJ	SCALE 1:2
		DATE 12OCT2009	SHEET 2 OF 2