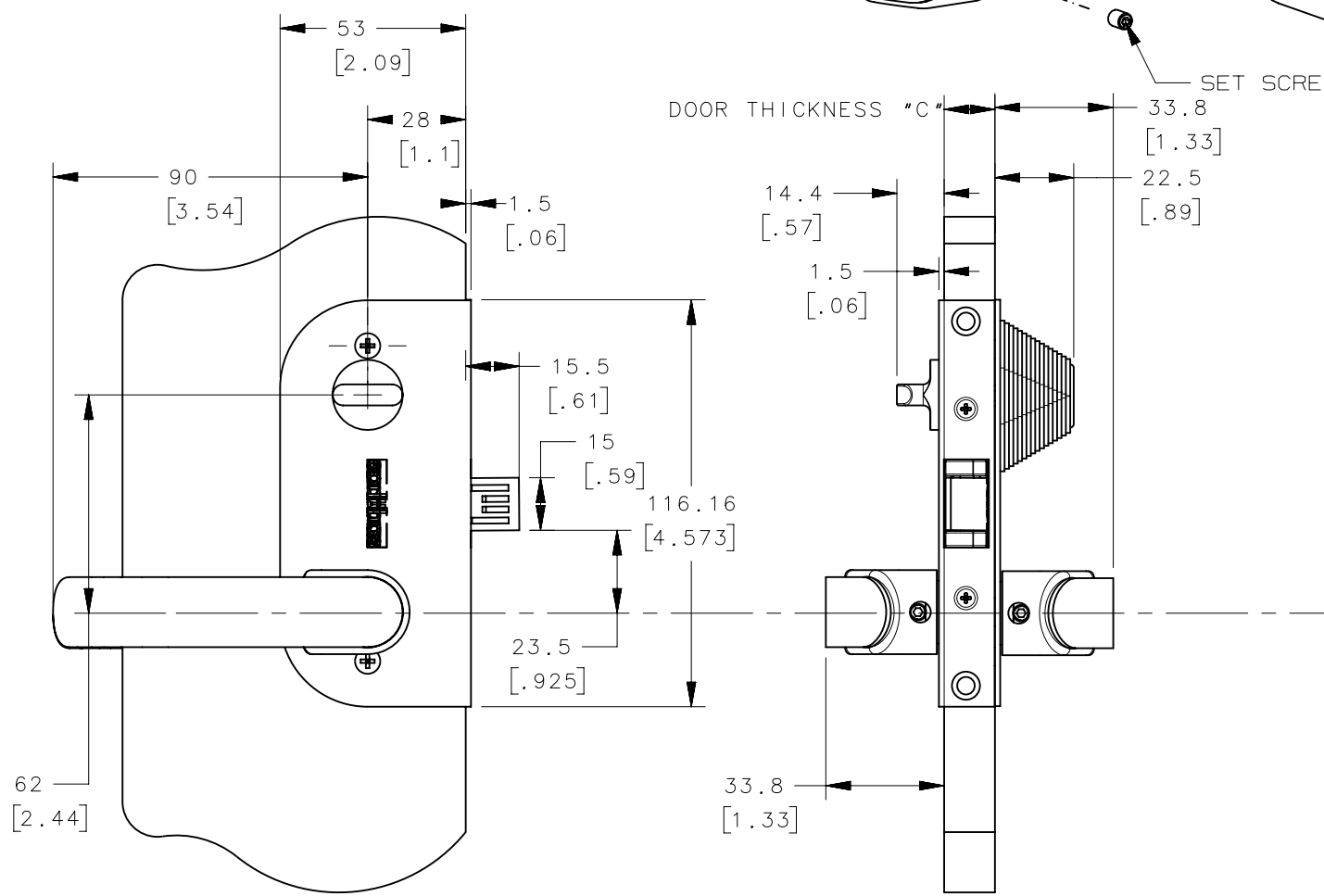
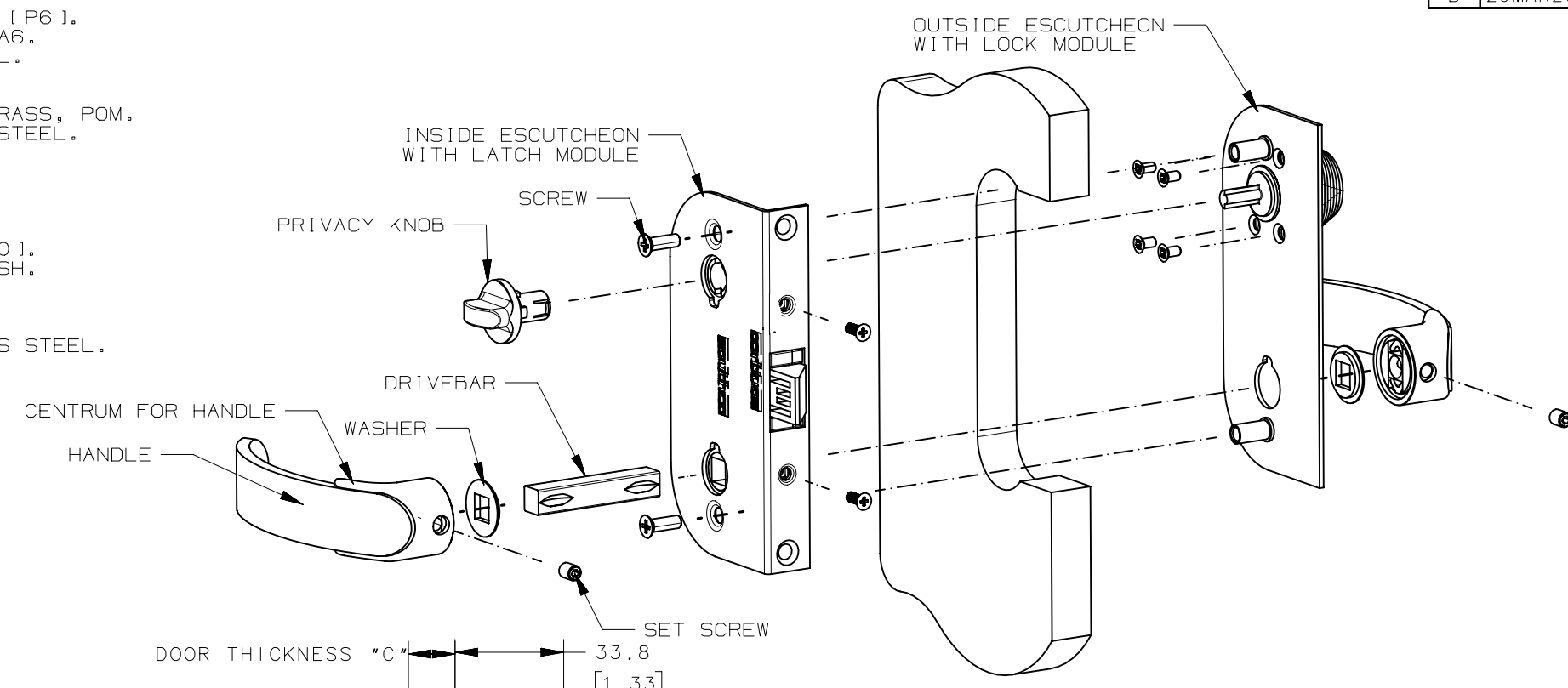


REVISION HISTORY			
REV	DATE	BY	DESCRIPTION
B	29MAR2023	APA/VK	PRN: P2023-0586

**MATERIAL AND FINISH**  
**LATCH MODULE.**  
 - LOCK ENGINE: ALUMINIUM.  
 - DEAD BOLT: REINFORCED NYLON (P6).  
 - INTRENAL COMPONENTS: POM, PA6.  
 - SPRINGS: 304 STAINLESS STEEL.  
**LOCK MODULE.**  
 - HOUSING: POM.  
 - INTERNAL COMPONENTS: PA6, BRASS, POM.  
**SCREWS AND NUTS: 316 STAINLESS STEEL.**  
**HANDLES: BRASS [YY=10].**  
 ALUMINIUM [YY=50&60].  
 SEE TABLE FOR FINISH.  
**CENTRUM FOR HANDLE: POM.**  
**ESCUTCHEONS: BRASS [YY=10].**  
 ALUMINIUM [YY=50&60].  
 SEE TABLE FOR FINISH.  
**PRIVACY KNOB: POM.**  
**DRIVEBAR: ALUMINIUM.**  
**WASHERS: POM.**  
**SET SCREWS 10/32"; 316 STAINLESS STEEL.**



**PART NUMBER SYSTEM**  
 ME-01-A1C-YY  
 DIRECTION  
 DOOR THICKNESS  
 FINISH

**DIRECTION [A]**  
 2 - RIGHT OUT  
 3 - RIGHT IN  
 4 - LEFT OUT  
 5 - LEFT IN

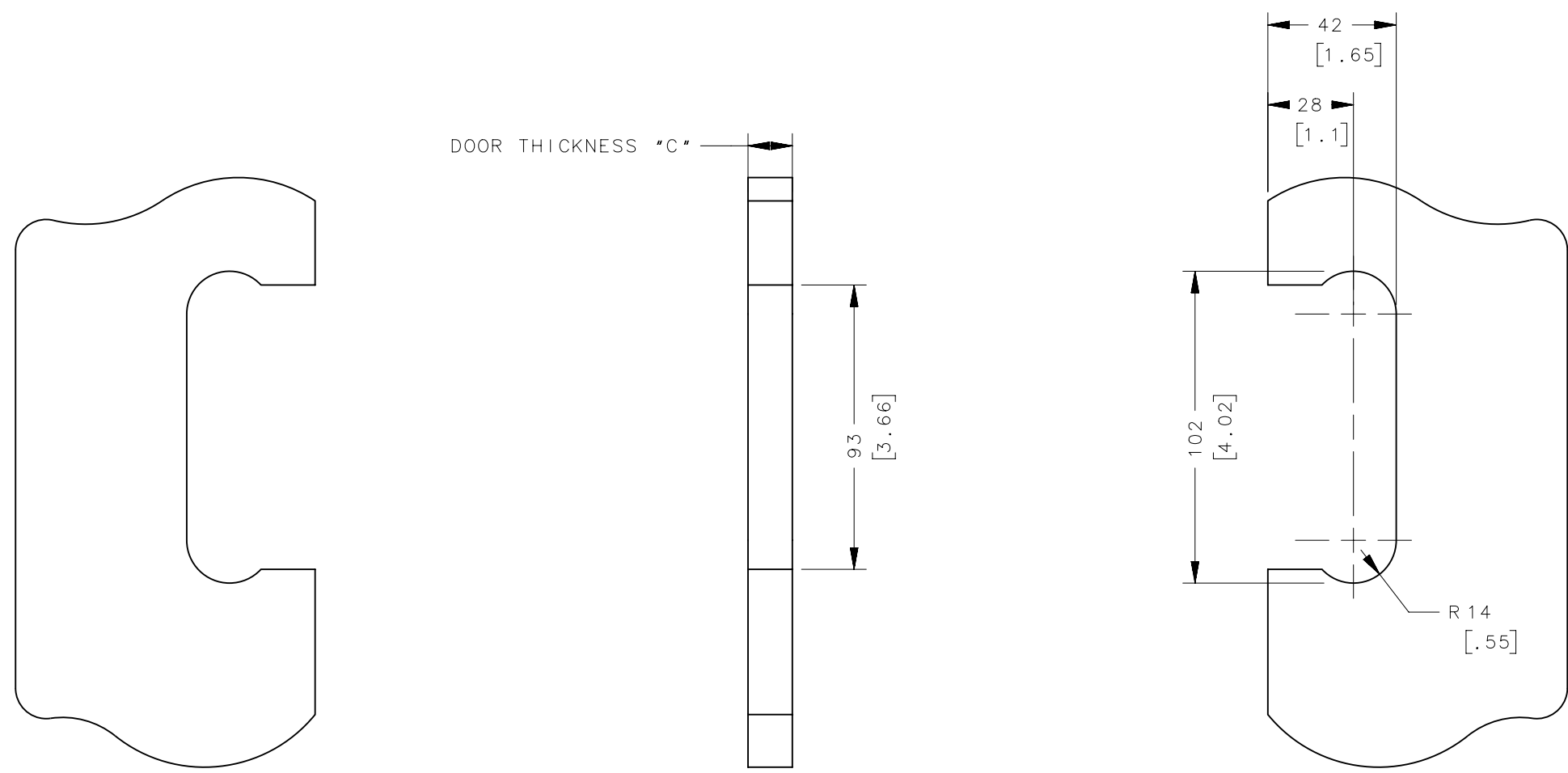
**FINISH FOR HANDLES AND ESCUTCHEONS [YY]**  
 10 - CHROME  
 50 - BLACK  
 60 - ALUMINIUM

**DOOR THICKNESS [C]**  
 0 - 12.5-15mm [1/2" - 5/8"]  
 1 - 14.5-17mm [9/16" - 11/16"]  
 2 - 17-19mm [11/16" - 3/4"]  
 3 - 19-21mm [3/4" - 7/8"]

- NOTES**
- DOOR THICKNESS RANGE "C": 12.5-21mm. [1/2" - 7/8"].
  - FOR PANEL PREPERATION INSTRUCTIONS SEE DRAWING J-ME-01-A1C-YY SHEET 2.
  - FOR AVAILABLE STRIKERS SEE H-MC-90-2XX-YY' H-MC-90-3XX-YY AND H-MC-9590.
  - SEE SOUTHCO MARINE HANDBOOK FOR MORE DETAILED INSTALLATION INSTRUCTIONS.

THIRD ANGLE PROJECTION			
TOLERANCES UNLESS OTHERWISE NOTED	DESCRIPTION		
ALL DIMENSIONS WITHOUT TOLERANCES ARE FOR REFERENCE ONLY.	OFFSHORE FLUSH KEY LOCKING		
PROPRIETARY ITEM	SIZE	SYSTEM	DWG NO.
EXCEPT FOR USES EXPRESSLY GRANTED IN WRITING, INFORMATION DISCLOSED HEREON IS CONFIDENTIAL AND ALL RIGHTS, PATENT AND OTHERWISE, ARE RESERVED BY SOUTHCO, INC.	A3	NX	J-ME-01-A1C-YY
PER ASME Y14.5M-1994	DRAWN BY	DATE	SCALE SHEET
	MF/HJ	12OCT2009	1:2 1 OF 2

REVISION HISTORY			
REV	DATE	BY	DESCRIPTION
B	29MAR2023	APA/VK	PRN: P2023-0586



NOTE:  
- PANEL PREPERATION FOR ASSEMBLIES ME-01-ABC-YY

THIRD ANGLE PROJECTION	 CONNECT • CREATE • INNOVATE		
	TOLERANCES UNLESS OTHERWISE NOTED	DESCRIPTION	
ALL DIMENSIONS WITHOUT TOLERANCES ARE FOR REFERENCE ONLY.	OFFSHORE FLUSH KEY LOCKING PANEL PREPERATION		
PROPRIETARY ITEM	SIZE	SYSTEM	DWG NO.
EXCEPT FOR USES EXPRESSLY GRANTED IN WRITING, INFORMATION DISCLOSED HEREON IS CONFIDENTIAL AND ALL RIGHTS, PATENT AND OTHERWISE, ARE RESERVED BY SOUTHCO, INC.	A3	NX	J-ME-01-A1C-YY
PER ASME Y14.5M-1994	DRAWN BY	DATE	SCALE SHEET
	MF/HJ	12OCT2009	1:2 2 OF 2