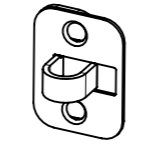


REVISION HISTORY			
REV	DATE	BY	DESCRIPTION
B	29MAR2023	APA/VK	PRN: P2023-0586

MATERIAL AND FINISH

- LATCH MODULE**
 - LOCK ENGINE: ALUMINIUM.
 - DEAD BOLT: 316 STAINLESS STEEL.
 - INTERNAL COMPONENTS: POM PA6.
 - SPRINGS: AISI 316 A4 STAINLESS STEEL.
- LOCK MODULE**
 - HOUSING: POM
 - INTERNAL COMPONENTS: PA6, BRASS, POM
- SCREWS AND NUTS: 316 STAINLESS STEEL**
- HANDLES: BRASS [YY=10].**
 ALUMINIUM [YY=50&60]
 SEE TABLE FOR FINISH.
- CENTRUM FOR HANDLE: POM**
- ESCUTCHEONS: BRASS [YY=10]**
 ALUMINIUM [YY= 50&60]
 SEE TABLE FOR FINISH.
- PRIVACY KNOB: POM.**
DRIVEBAR: ALUMINIUM.
WASHERS: POM.
SET SCREWS 10/32": 316 STAINLESS STEEL.

STRIKER



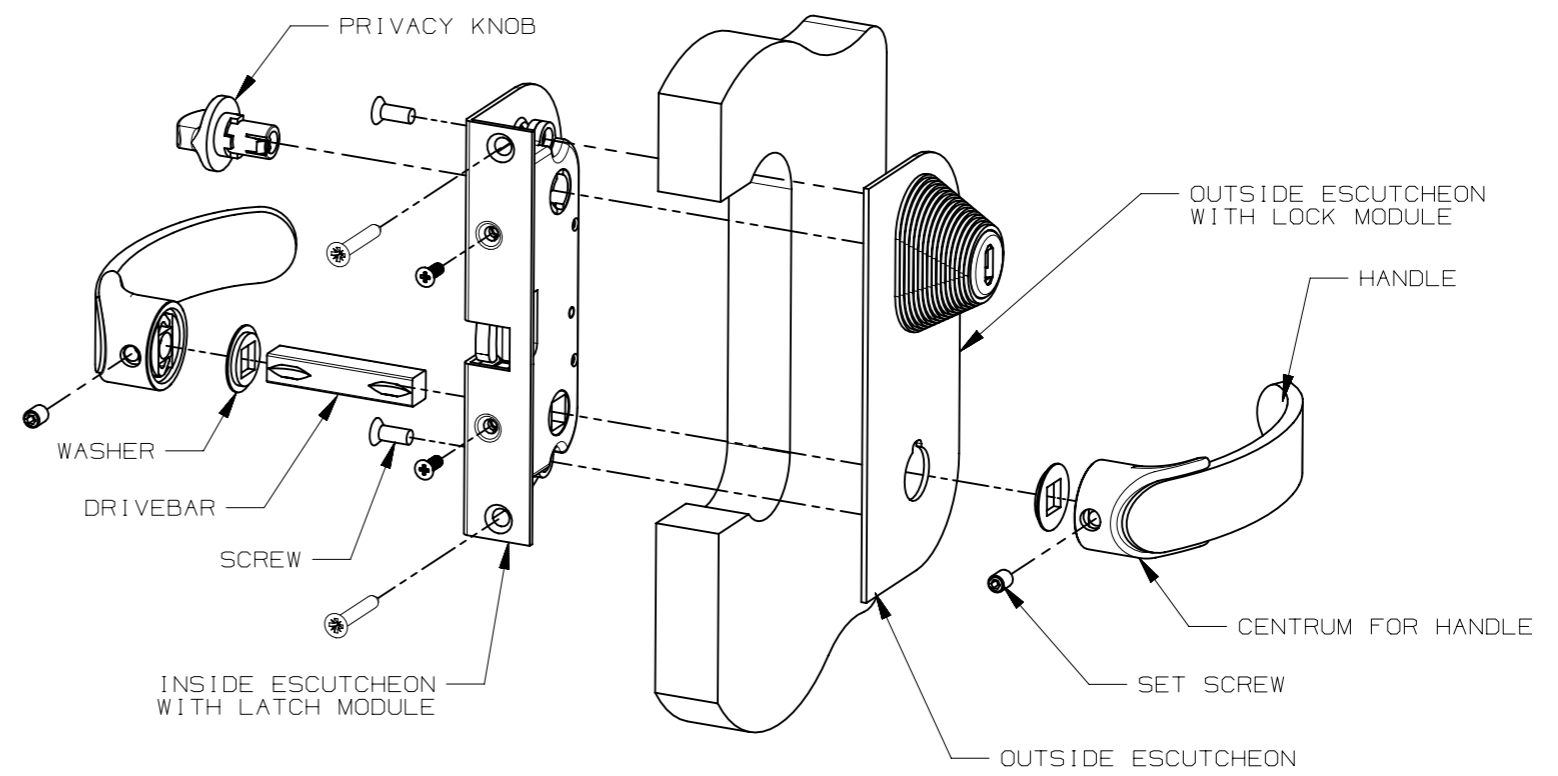
KEYS



REPLACEMENT KEY CODE
 STAMPED ON BACK.

NOTES.

- DOOR THICKNESS "C" CONFIGURATIONS AVAILABLE
 : 12.7, 19, AND 25.4mm [1/2", 3/4", AND 1"]
- FOR PANEL PREPERATION INSTRUCTIONS,
 SEE DRAWING NUMBER J-ME-03-A1C-YY SHEET 2.
- FOR AVAILABLE STRIKER SEE: H-ME-R8377.
- SEE J-ME-03-A1C-YY SHEET 3 FOR MORE DETAILED
 INSTALLATION INSTRUCTIONS.



RIGHT-HAND VERSION
 SHOWN

PART NUMBER SYSTEM
 ME-03-A1C-YY

DIRECTION
 DOOR THICKNESS
 FINISH

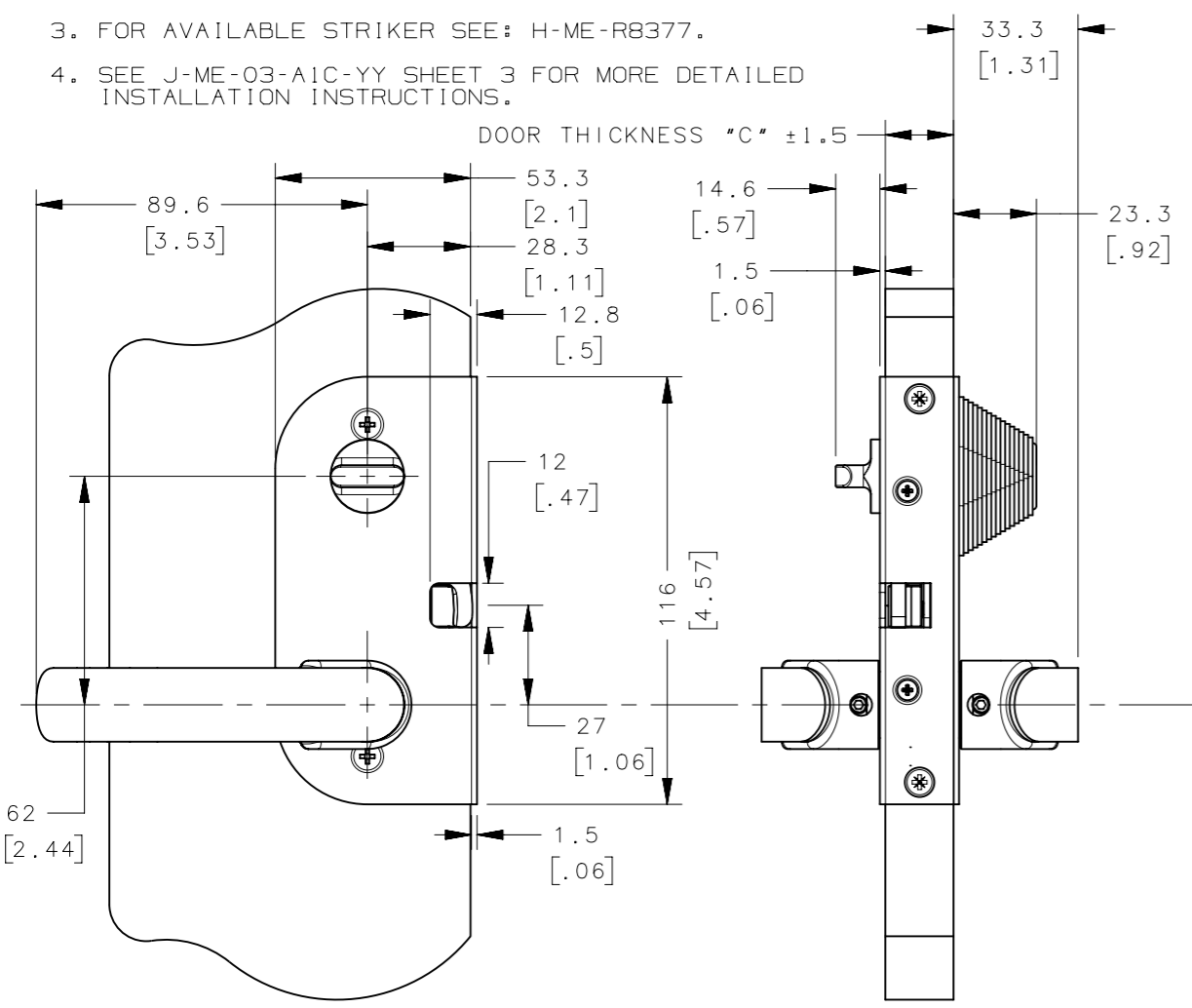
DIRECTION [A]
 6 - RIGHT
 7 - LEFT

DOOR THICKNESS [C] ±1.5mm [1/16"]
 1 - 12.7mm [1/2"]
 2 - 19mm [3/4"]
 3 - 25.4mm [1"]

FINISH FOR HANDLES AND ESCUTCHEONS
 10 - CHROME
 60 - ALUMINIUM

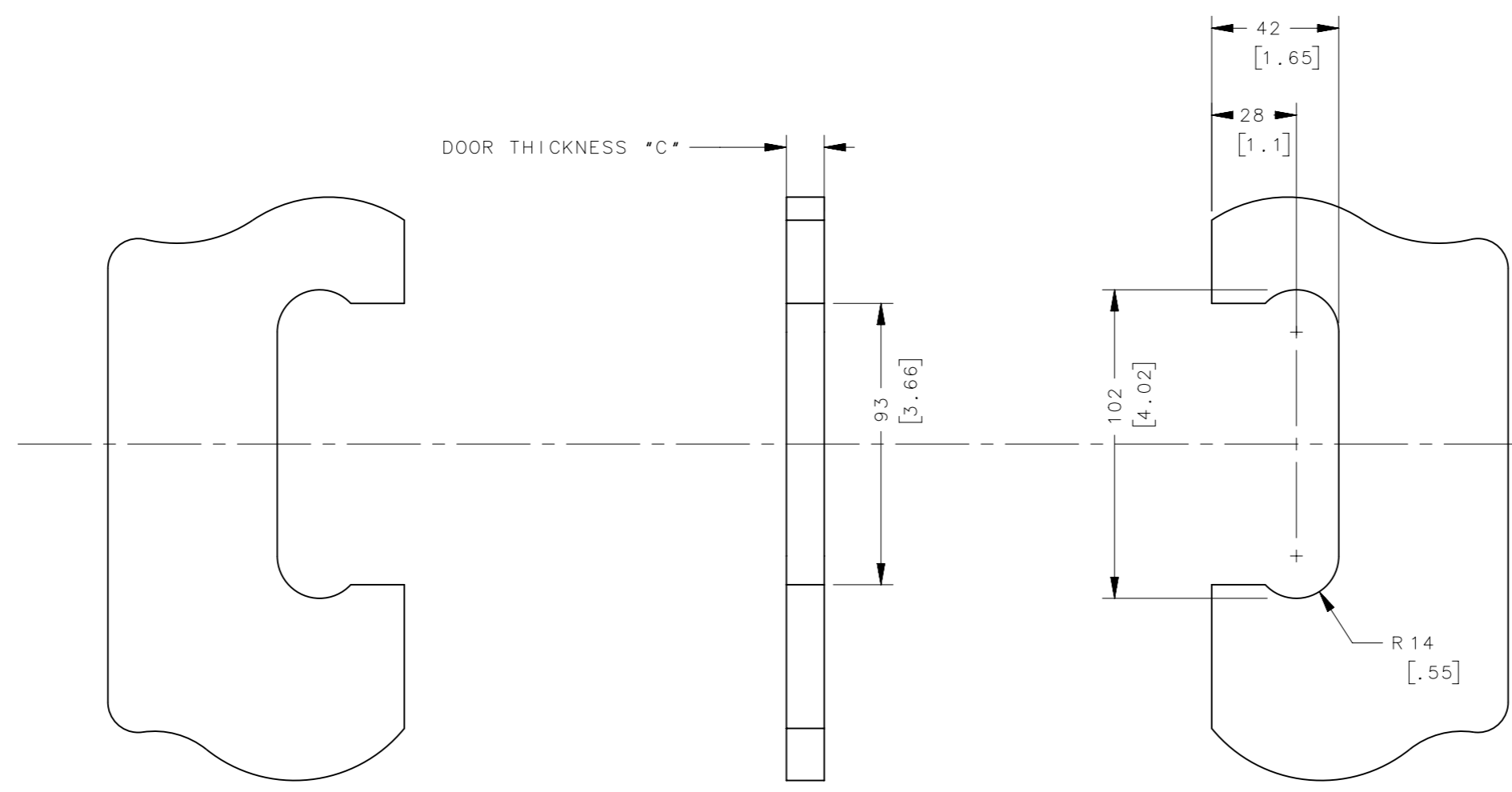
OPTIONAL SPACER ME-R8362

TO ENABLE MINIMUM DOOR THICKNESS 8mm [5/16"]
 ADD 2.5mm [3/32"] DOOR SPACER.

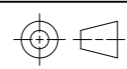



THIRD ANGLE PROJECTION				 CONNECT · CREATE · INNOVATE		
TOLERANCES UNLESS OTHERWISE NOTED		DESCRIPTION				
ALL DIMENSIONS WITHOUT TOLERANCES ARE FOR REFERENCE ONLY.		CURVED OFFSHORE PRIVACY KEY LOCKING				
PROPRIETARY ITEM	PER ASME Y14.5M-1994	SIZE A3	SYSTEM NX	DWG NO. J-ME-03-A1C-YY		
EXCEPT FOR USES EXPRESSLY GRANTED IN WRITING, INFORMATION DISCLOSED HEREON IS CONFIDENTIAL AND ALL RIGHTS, PATENT AND OTHERWISE, ARE RESERVED BY SOUTHCO, INC.		DRAWN BY MF/HJ	DATE 13OCT2009	SCALE 1:2	SHEET 1 OF 3	

REVISION HISTORY			
REV	DATE	BY	DESCRIPTION
B	29MAR2023	APA/VK	PRN: P2023-0586

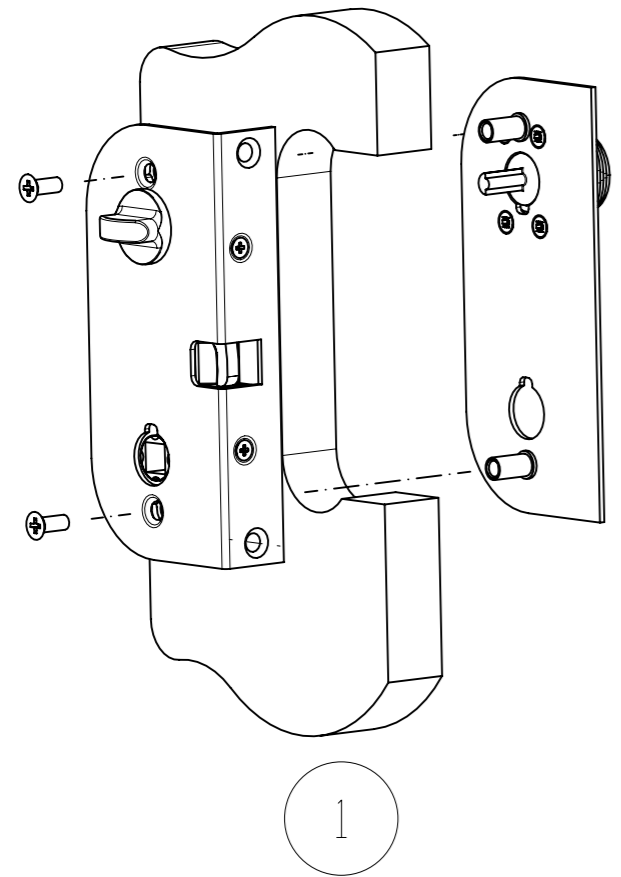


NOTE :
 -PANEL PREPERATION FOR ASSEMBLIES ME-03-A1C-YY

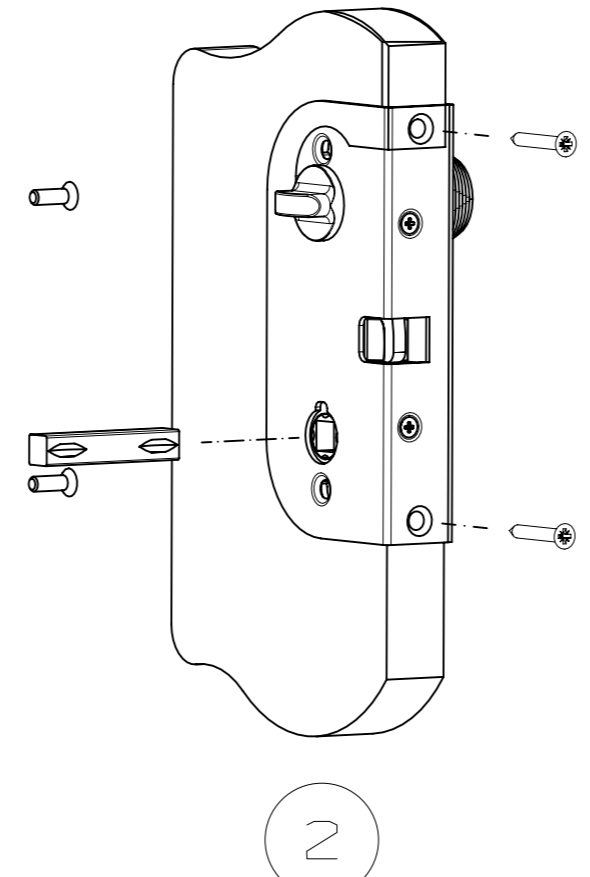
THIRD ANGLE PROJECTION 		 CONNECT • CREATE • INNOVATE	
MILLIMETERS [IN]			
TOLERANCES UNLESS OTHERWISE NOTED		DESCRIPTION PANEL PREPERATION FOR CURVED OFFSHORE KEY LOCKING	
ALL DIMENSIONS WITHOUT TOLERANCES ARE FOR REFERENCE ONLY.		SIZE A3	SYSTEM NX
PROPRIETARY ITEM <small>EXCEPT FOR USES EXPRESSLY GRANTED IN WRITING, INFORMATION DISCLOSED HEREON IS CONFIDENTIAL AND ALL RIGHTS, PATENT AND OTHERWISE, ARE RESERVED BY SOUTHCO, INC.</small>		DATE 13OCT2009	DWG NO. J-ME-03-A1C-YY
PER ASME Y14.5M-1994		DRAWN BY MF/HJ	SCALE 1:1
		DATE 13OCT2009	SHEET 2 OF 3

REVISION HISTORY			
REV	DATE	BY	DESCRIPTION
B	29MAR2023	APA/VK	PRN: P2023-0586

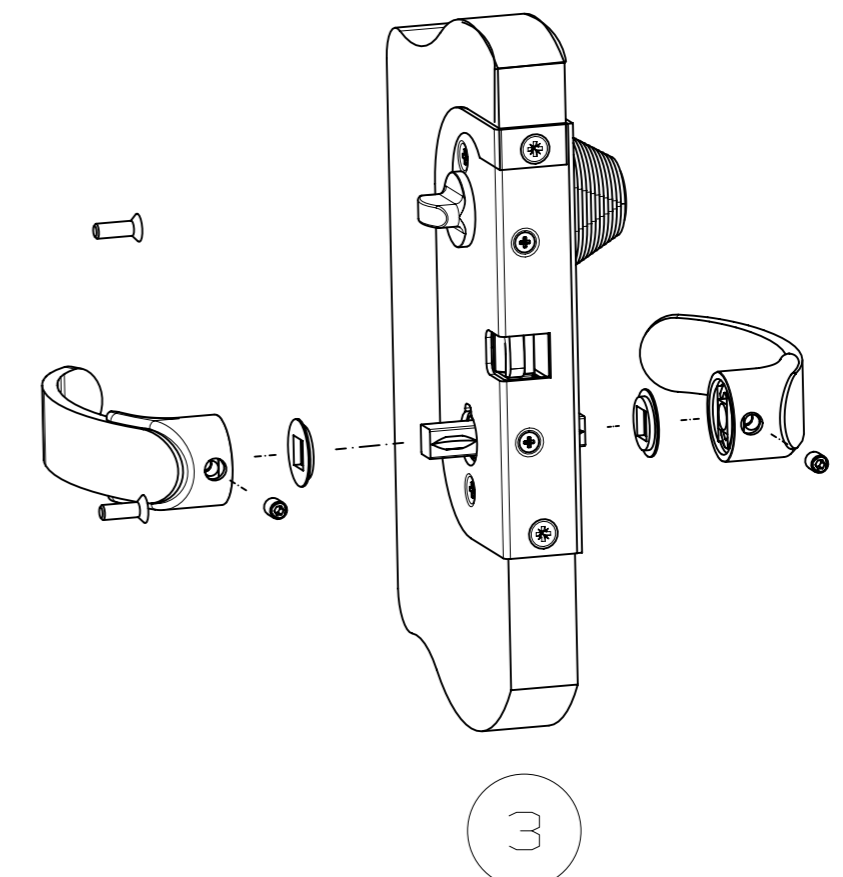
NOTE: VIEWS SHOW RIGHT HAND OUT OPENING



POSITION LATCH AND ESCUTCHEON PLATE AS REQUIRED IN DOOR FRAME AND FIX TOGETHER USING SCREWS PROVIDED.



INSERT DRIVE BAR AS SHOWN ENSURING IT IS LOCATED CENTRALLY BETWEEN BOTH SIDES OF DOOR FRAME. FIX LATCH TO DOOR FRAME AS DIRECTED WITH SELF TAPPING SCREWS (NOT SUPPLIED)



SLIDE WASHERS OVER DRIVE BAR ON EACH SIDE OF DOOR FRAME. PUSH HANDLES INTO PLACE AND FIX WITH GRUB/SET SCREWS SUPPLIED USE LOCTITE 222 OR EQUIV. INSERT PRIVACY KNOB FULLY, TWIST AND PUSH TO LOCATE INTO PLACE. PULL PRIVACY KNOB TO ENSURE COMPLETE INSTALLATION.

WARNING: INSTALLATION OF PRIVACY KNOB IS A ONE TIME FIT. SHOULD PRIVACY KNOB REQUIRE REMOVAL, DAMAGE TO RETAINING FEATURES MAY RESULT. A NEW PRIVACY KNOB WILL BE REQUIRED. **DO NOT** REPLACE PRIVACY KNOB AFTER REMOVAL.

PRIVACY KNOB REORDER PART NUMBER ME-R8103

PROPRIETARY ITEM <small>EXCEPT FOR USES EXPRESSLY GRANTED IN WRITING, INFORMATION DISCLOSED HEREON IS CONFIDENTIAL AND ALL RIGHTS, PATENT AND OTHERWISE, ARE RESERVED BY SOUTHCO, INC.</small>	THIRD ANGLE PROJECTION	 CONNECT • CREATE • INNOVATE		
	MILLIMETERS [IN]			
	TOLERANCES UNLESS OTHERWISE NOTED	DESCRIPTION		
	ALL DIMENSIONS WITHOUT TOLERANCES ARE FOR REFERENCE ONLY.	CURVED OFFSHORE PRIVACY KEY LOCKING INSTALLATION		
PER ASME Y14.5M-1994	SIZE A3	SYSTEM NX	DWG NO. J-ME-03-A1C-YY	
	DRAWN BY MF/HJ	DATE 13OCT2009	SCALE 1:2	SHEET 3 OF 3