

REVISION HISTORY			
REV	DATE	BY	DESCRIPTION
E	18AUG2021	SAK/MBT	PRN: P2021-1651

**MATERIAL AND FINISH**

- ALL VERSIONS
- HANDLES AND PRIVACY KNOB; POM
  - SCREWS AND WASHERS, 316 STAINLESS STEEL
  - SPRINGS; 304 STAINLESS STEEL
  - STUD; BRASS, NICKEL PLATED
  - EGRESS BUSHING; BRASS NICKEL PLATED
  - MATCHBOX HOUSING AND PLUNGER; ALUMINUM, NATURAL ANODIZED
  - MATCHBOX HOOKS AND STRIKER; BRASS, NICKEL PLATED
  - FOREND; BRASS, NICKEL PLATED
  - ESCUTCHEONS; ALUMINUM, SEE TABLE FOR FINISH

**NOTES**

- DOOR THICKNESS RANGE "C" ; 20.5 - 38mm [13/16" - 1-1/2"]
- BACKSEAT (A)
  - MIN 21mm [53/64"]
  - MAX 38.5mm [1-33/64"]

**PART NUMBER SYSTEM**

MM-01-10C-YY

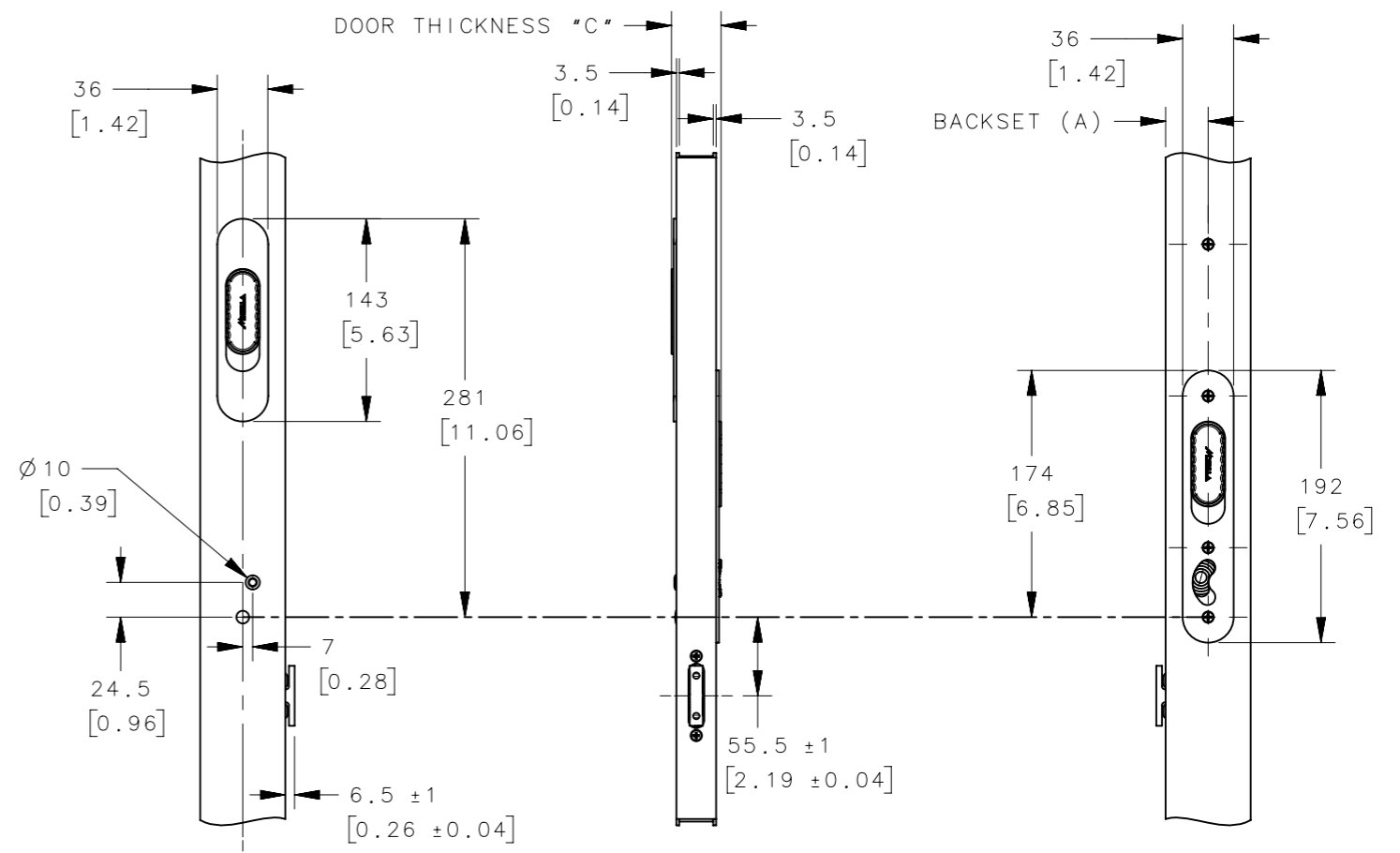
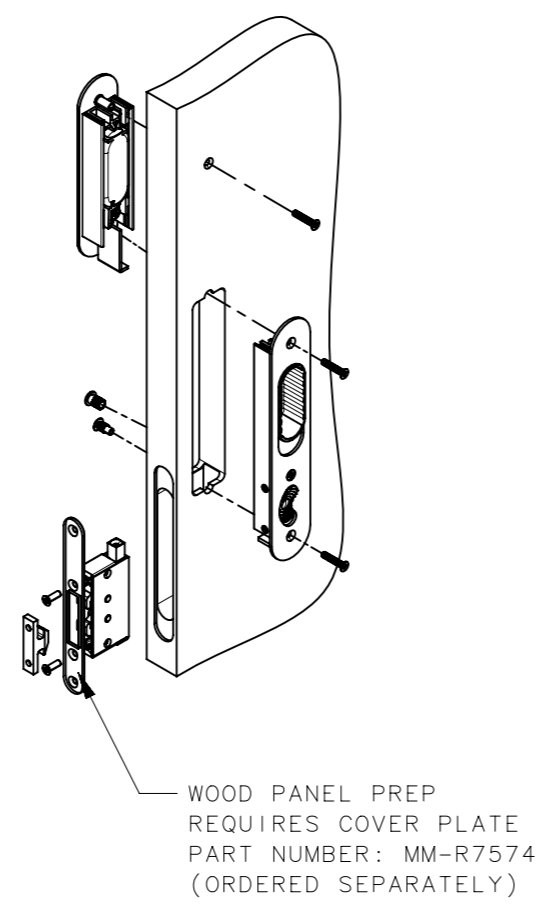
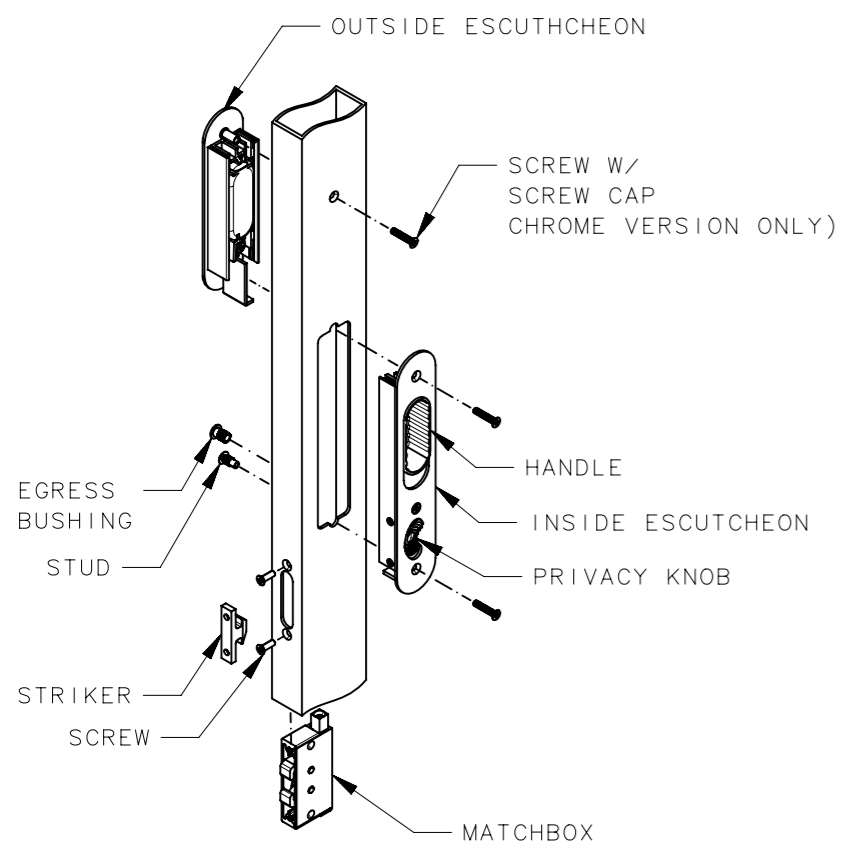
DOOR THICKNESS  
MATERIAL &  
FINISH

HANDLES AND ESCUTCHEON FINISH	
SUFFIX (-YY)	FINISH
-10	BRIGHT CHROME
-50	BLACK POWDER COAT
-60	NATURAL ANODIZED ALUM

DOOR THICKNESS "C"	
PART NUMBER	THICKNESS RANGE
MM-01-100-YY	20.5 - 23mm (13/16" - 29/32")
MM-01-101-YY	22.5 - 27mm (7/8" - 1 1/16")
MM-01-102-YY	27 - 34.5mm (1 1/16" - 1 3/8")
MM-01-103-YY	28.5 - 38mm (1 1/8" - 1 1/2")

**PROFILE DOOR INSTALLATION**

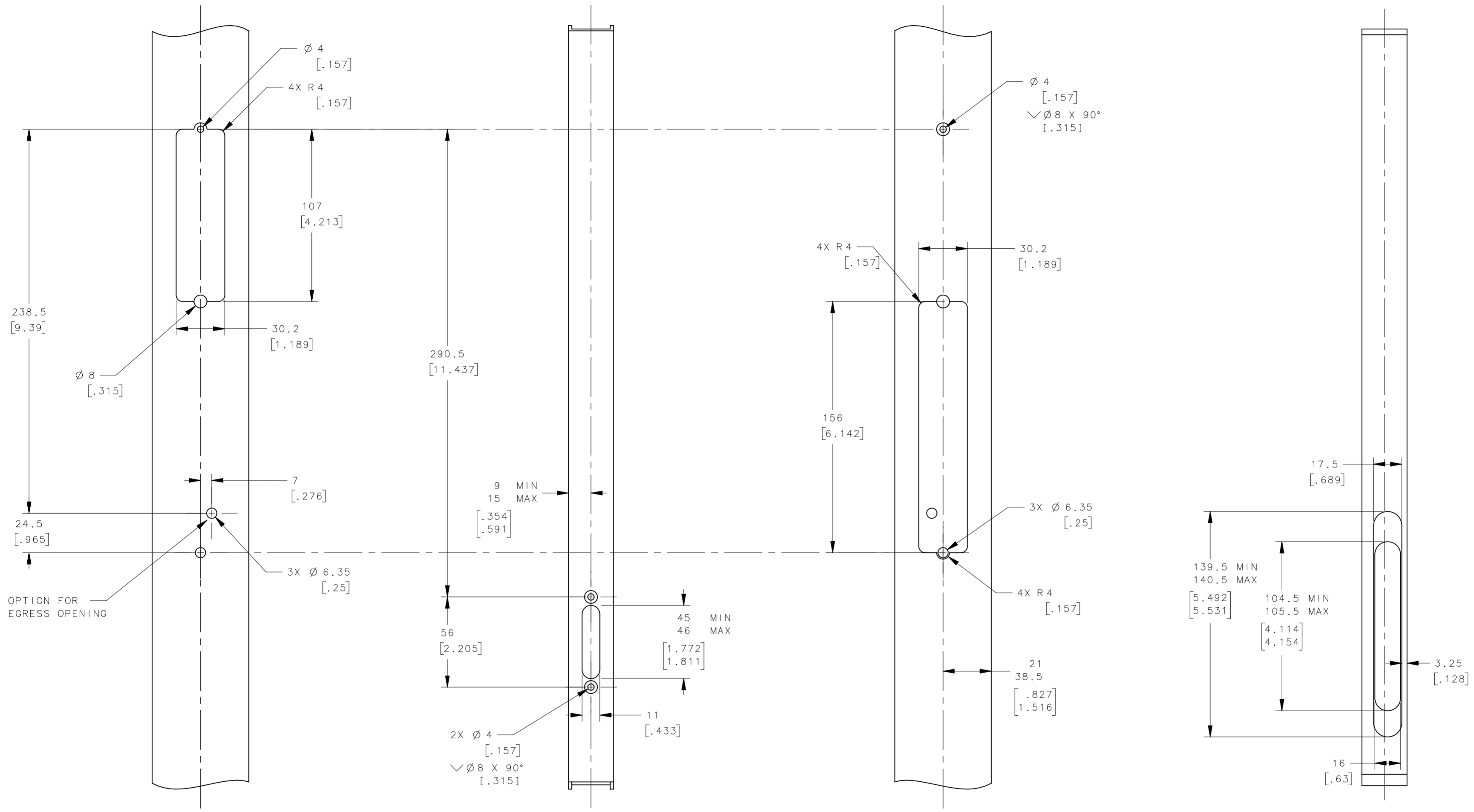
**WOOD DOOR INSTALLATION**



ACCESSORIES	PART NUMBER
MOUNTING TOOL STRIKER	MM-90-103-41
TOP STOP	MM-7520
RAMP TOP STOP	MM-90-201-60
HIGH SEAS HANDLE CHROME	MM-7660
HIGH SEAS HANDLE BLACK	MM-7683

THIRD ANGLE PROJECTION			 CONNECT • CREATE • INNOVATE	
SURFACE AREA VOLUME	TOLERANCES UNLESS OTHERWISE NOTED		DESCRIPTION	
	ALL DIMENSIONS WITHOUT TOLERANCES ARE FOR REFERENCE ONLY.		TALON ASSEMBLY WITHOUT KEY LOCKING PROFILE DOOR STYLE	
PROPRIETARY ITEM	SIZE	SYSTEM	DWG NO.	
EXCEPT FOR USES EXPRESSLY GRANTED IN WRITING, INFORMATION DISCLOSED HEREON IS CONFIDENTIAL AND ALL RIGHTS, PATENT AND OTHERWISE, ARE RESERVED BY SOUTHCO, INC.	A3	NX	J-MM-01-10C-YY	
PER ASME Y14.5M-1994	DRAWN BY	DATE	SCALE	SHEET
	ACH/MJS	05JAN2010	1:5	1 OF 2

REVISION HISTORY			
REV	DATE	BY	DESCRIPTION
E	18AUG2021	SAK/MBT	PRN: P2021-1651



PROFILE DOOR PANEL PREPARATION

WOOD DOOR PANEL PREPARATION

WOOD PANEL PREPARATION REQUIRES COVER PLATE  
 PART NUMBER: MM-R7574 (ORDERED SEPARATELY)  
 ALL DIMENSIONS THE SAME AS PROFILE DORR PREP  
 EXCEPT FOR COVER PLATE DIMENSIONS.

	THIRD ANGLE PROJECTION		<b>southco</b> CONNECT · CREATE · INNOVATE
	MILLIMETERS [IN]		
SURFACE AREA	TOLERANCES UNLESS OTHERWISE NOTED		DESCRIPTION
VOLUME	ALL DIMENSIONS WITHOUT TOLERANCES ARE FOR REFERENCE ONLY.		TALON ASSEMBLY WITHOUT KEY LOCKING PROFILE DOOR STYLE
PROPRIETARY ITEM	PER ASME Y14.5M-1994	SIZE SYSTEM	DWG NO.
EXCEPT FOR USES EXPRESSLY GRANTED IN WRITING, INFORMATION DISCLOSED HEREON IS CONFIDENTIAL AND ALL RIGHTS, PATENT AND OTHERWISE, ARE RESERVED BY SOUTHCO, INC.		A2 NX	J-MM-01-10C-YY
		DRAWN BY	SCALE
		ACH/MJS	1:2
		DATE	SHEET
		05JAN2010	2 OF 2