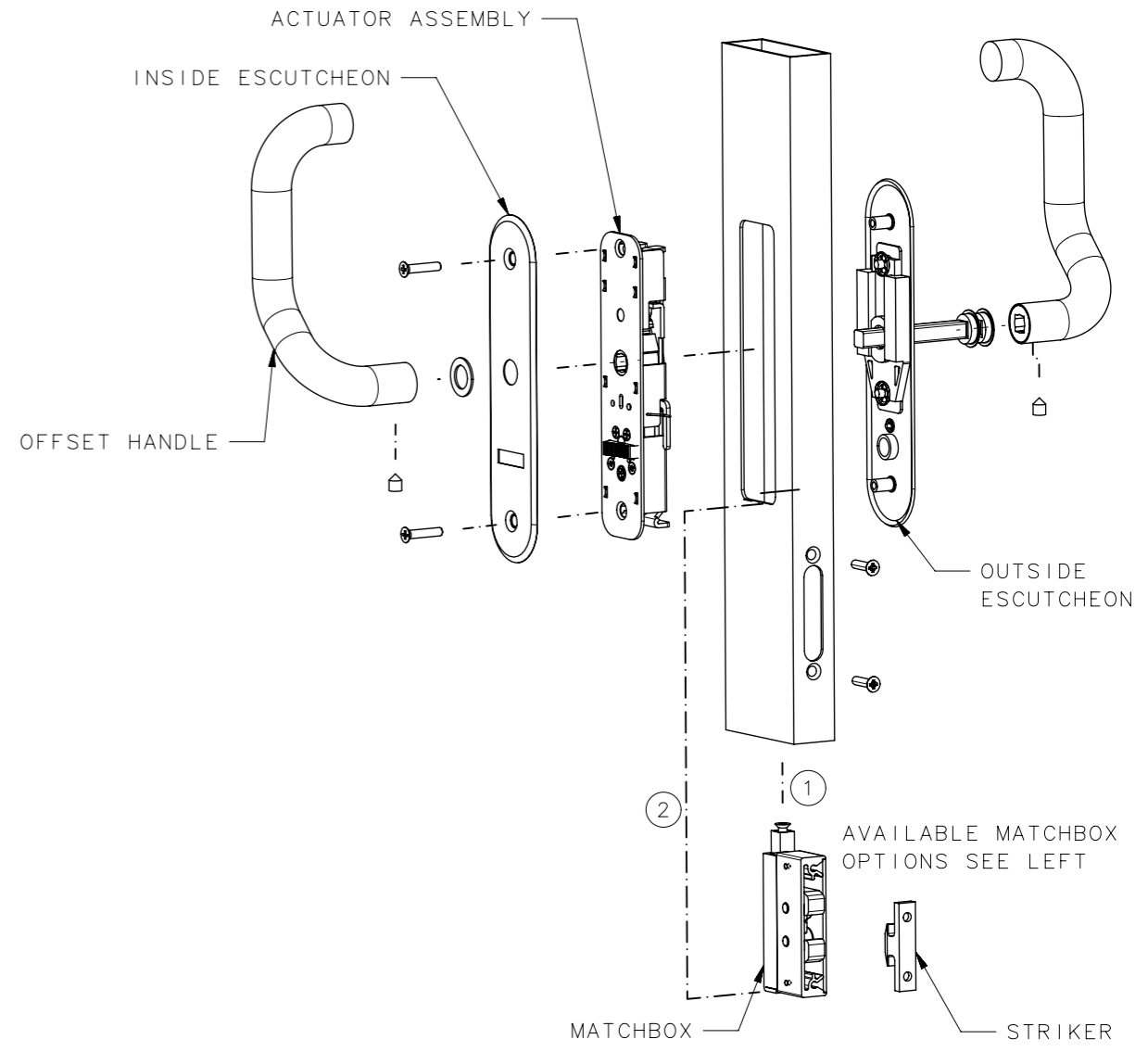
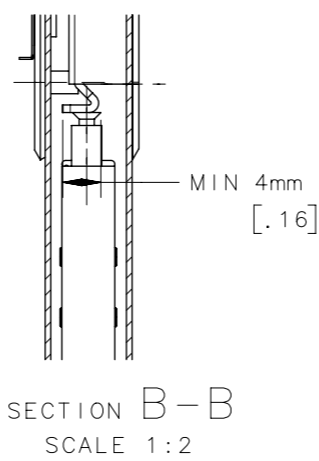
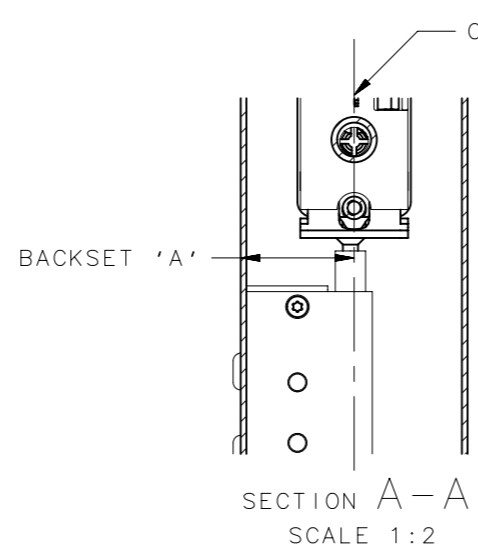
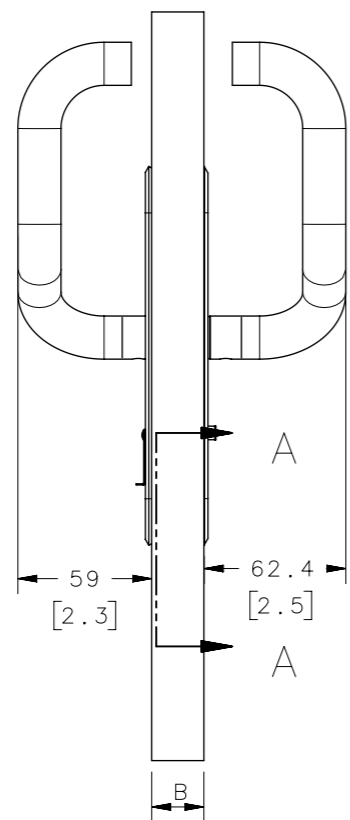
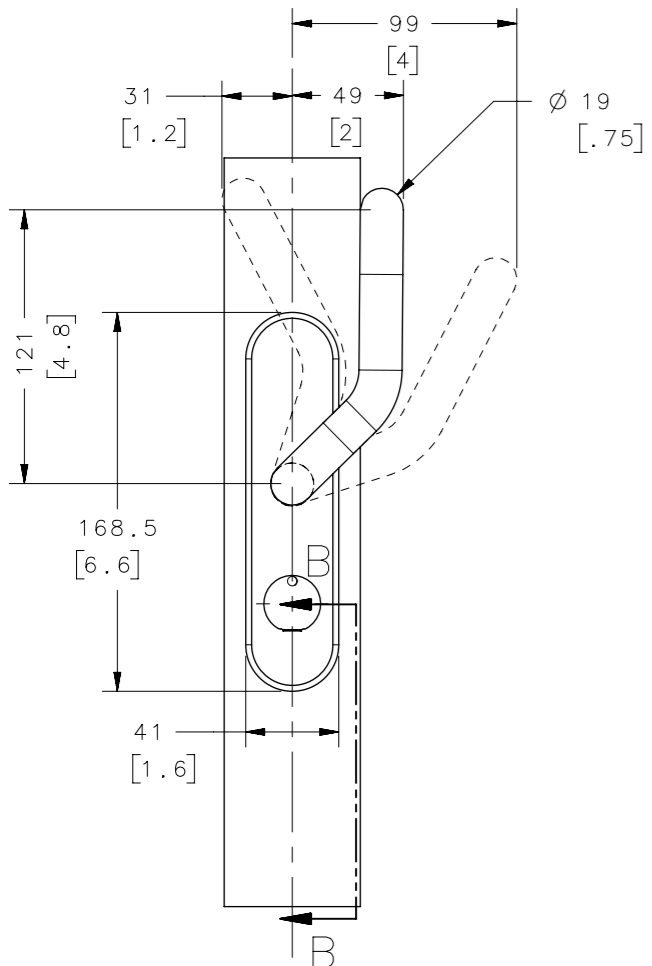


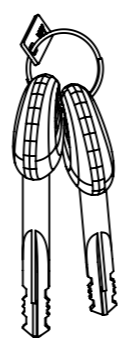
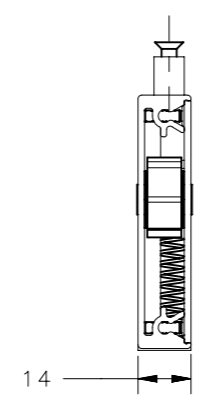
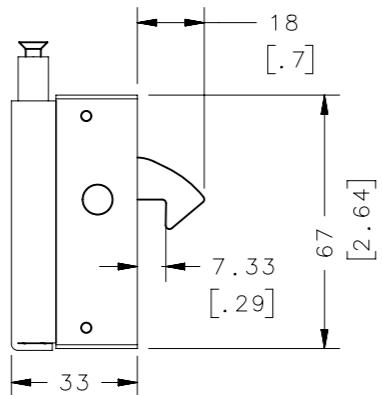
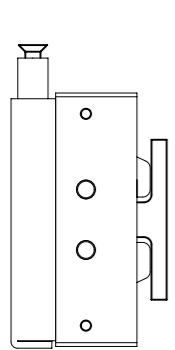
REVISION HISTORY			
REV	DATE	BY	DESCRIPTION
F	14MAY2021	KSH/VK	PRN: P2021-1019



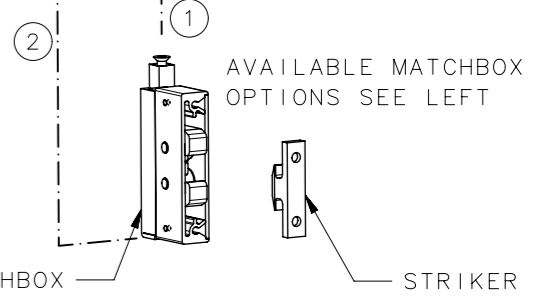
**MATCHBOX OPTIONS**

STANDARD

PROTRUDING HOOK VERSION



KEYS  
SCALE 1:2



AVAILABLE MATCHBOX  
OPTIONS SEE LEFT

ACCESSORIES	PART NUMBERS
MOUNTING TOOL STRIKER	MM-90-103-41
TOP STOP	MM-7520
RAMP FOR TOP STOP	MM-90-201-60

**MATERIAL AND FINISH**

OFFSET HANDLE: 316 STAINLESS STEEL, HIGH POLISHED.  
 ESCUTCHEON: BRASS, BRIGHT CHROME PLATED.  
 PRIVACY KNOB: BRASS, BRIGHT CHROME PLATED.  
 COVER PLATE, LOCK CASE AND LEVER ARM: 316 STAINLESS STEEL.  
 MOUNTING SCREWS M4 POZIDRIVE: 316 STAINLESS STEEL.  
 SPRINGS: 300 SERIES STAINLESS STEEL.  
 GEARS, DRIVE BAR AND RIVETS: BRASS.  
 WASHERS FOR DRIVE BAR: NYLON NATURAL.  
 PLASTIC COMPONENTS: ACETAL, BLACK.  
 MATCHBOX HOUSING AND PLUNGER: ALUMINIUM, NATURAL ANODIZED.  
 MATCHBOX HOOKS AND STRIKER: BRASS, NICKEL PLATED.

**NOTE**

SCREW KIT INCLUDES  
 - SCREWS.  
 - KEYS.  
 MATCHBOX CAN BE INSTALLED IN TWO ALTERNATIVE WAYS. SEE NOTES: ① AND ②  
 MAX WALL THICKNESS 5.5mm [0.28 INCH]  
 BACKSET [A]  
 MIN. BACKSET: 22.5mm [0.89 inches]  
 MAX. BACKSET: 41.0mm [1.61 inches]

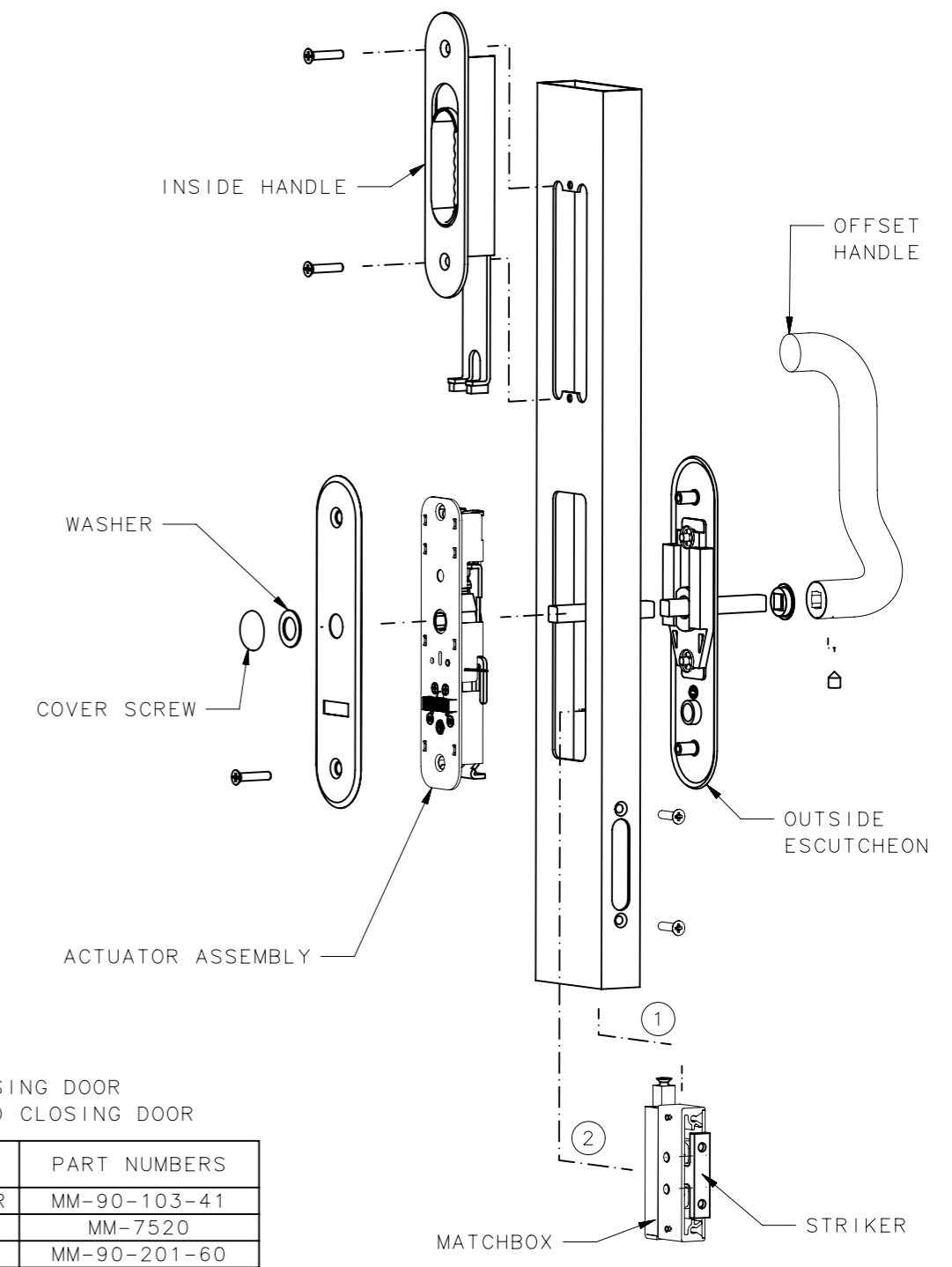
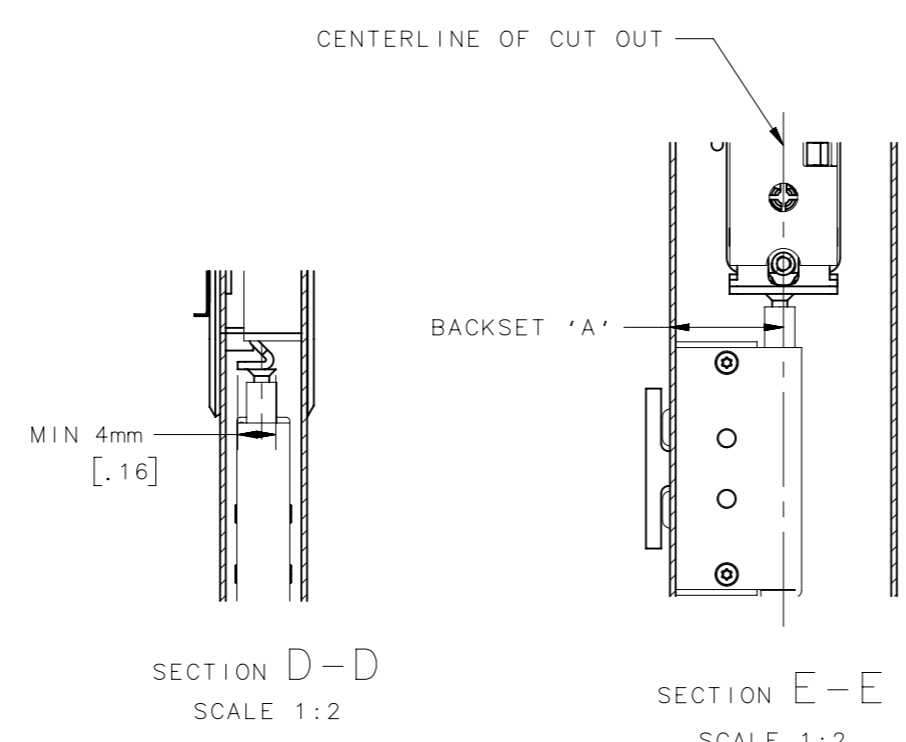
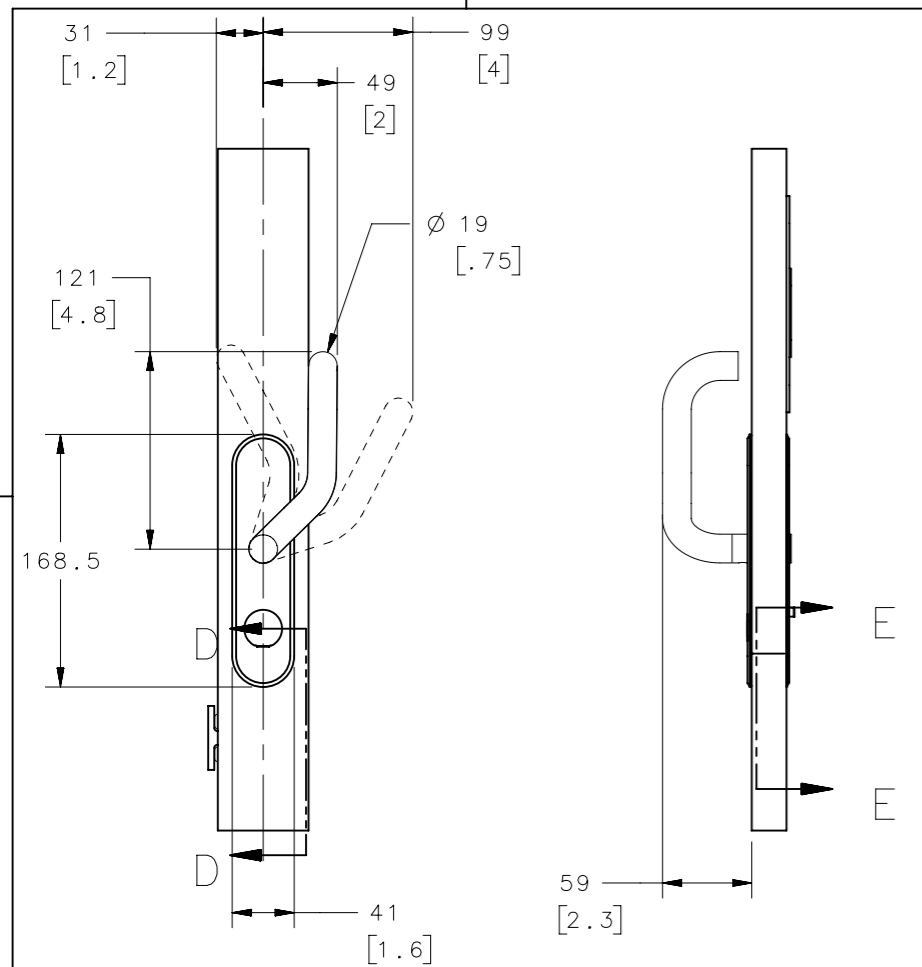
FOR PANEL PREPARATION INSTRUCTIONS SEE DRAWING NUMBER J-MM-03-3

DOOR THICKNESS RANGE [B]	20.5 - 23mm. [0.8 - 0.9]	23 - 28.5mm. [0.9 - 1.12]	28.5 - 33.5mm. [1.12 - 1.32]	33.5 - 38mm. [1.32 - 1.5]
STAR SLIDER CHROME, OFFSET HANDLES STANDARD OPTION	MM-03-130-14-10	MM-03-131-14-10	MM-03-132-14-10	MM-03-133-14-10
STAR SLIDER CHROME, OFFSET HANDLES PROTRUDING HOOK OPTION	MM-03-330-14-10	MM-03-331-14-10	MM-03-332-14-10	MM-03-333-14-10

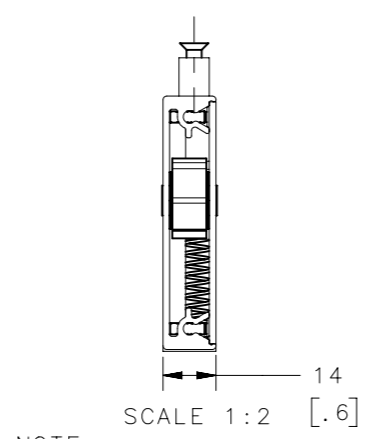
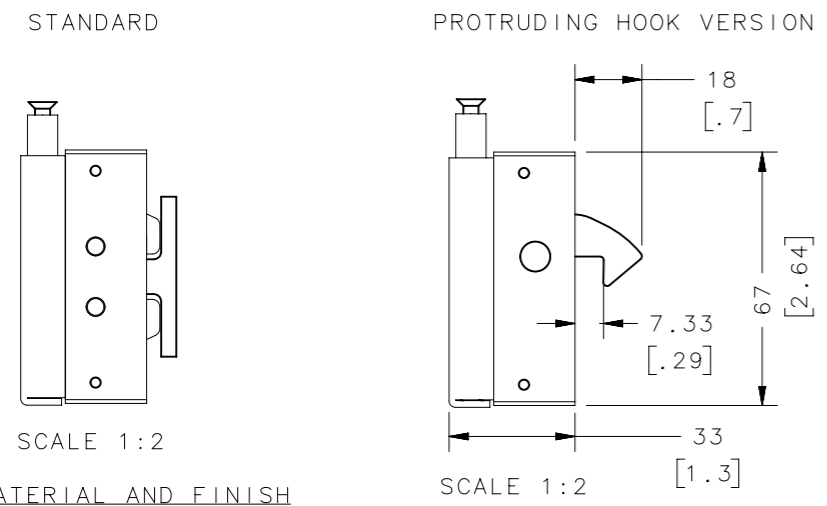
THIRD ANGLE PROJECTION	MILLIMETERS [IN]		 CONNECT · CREATE · INNOVATE	
TOLERANCES UNLESS OTHERWISE NOTED		STAR SLIDER ASSEMBLY		
ALL DIMENSIONS WITHOUT TOLERANCES ARE FOR REFERENCE ONLY.		SIZE A3	SYSTEM NX	DWG NO. J-MM-03
PER ASME Y14.5M-1994		DRAWN BY DA/HJ	DATE 06JUN2004	SCALE 0.3:1 SHEET 1 OF 4

PROPRIETARY ITEM  
 EXCEPT FOR USES EXPRESSLY GRANTED IN WRITING, INFORMATION DISCLOSED HEREON IS CONFIDENTIAL AND ALL RIGHTS, PATENT AND OTHERWISE, ARE RESERVED BY SOUTHCO, INC.

REVISION HISTORY			
REV	DATE	BY	DESCRIPTION
F	14MAY2021	KSH/VK	PRN: P2021-1019



**MATCHBOX OPTIONS**



**NOTE**

SCREW KIT INCLUDES  
- SCREWS.  
- KEYS.  
MATCHBOX CAN BE INSTALLED IN TWO ALTERNATIVE WAYS. SEE NOTES: ① AND ②  
MAX WALL THICKNESS 5.5mm [0.28 INCH]

BACKSET [A]  
MIN. BACKSET: 22.5mm [0.89 inches]  
MAX. BACKSET: 41.0mm [1.61 inches]

FOR PANEL PREPARATION INSTRUCTIONS SEE DRAWING NUMBER J-MM-03-4

XX = 15. FOR PORT CLOSING DOOR  
XX = 16. FOR STARBOARD CLOSING DOOR

ACCESSORIES	PART NUMBERS
MOUNTING TOOL STRIKER	MM-90-103-41
TOP STOP	MM-7520
RAMP FOR TOP STOP	MM-90-201-60

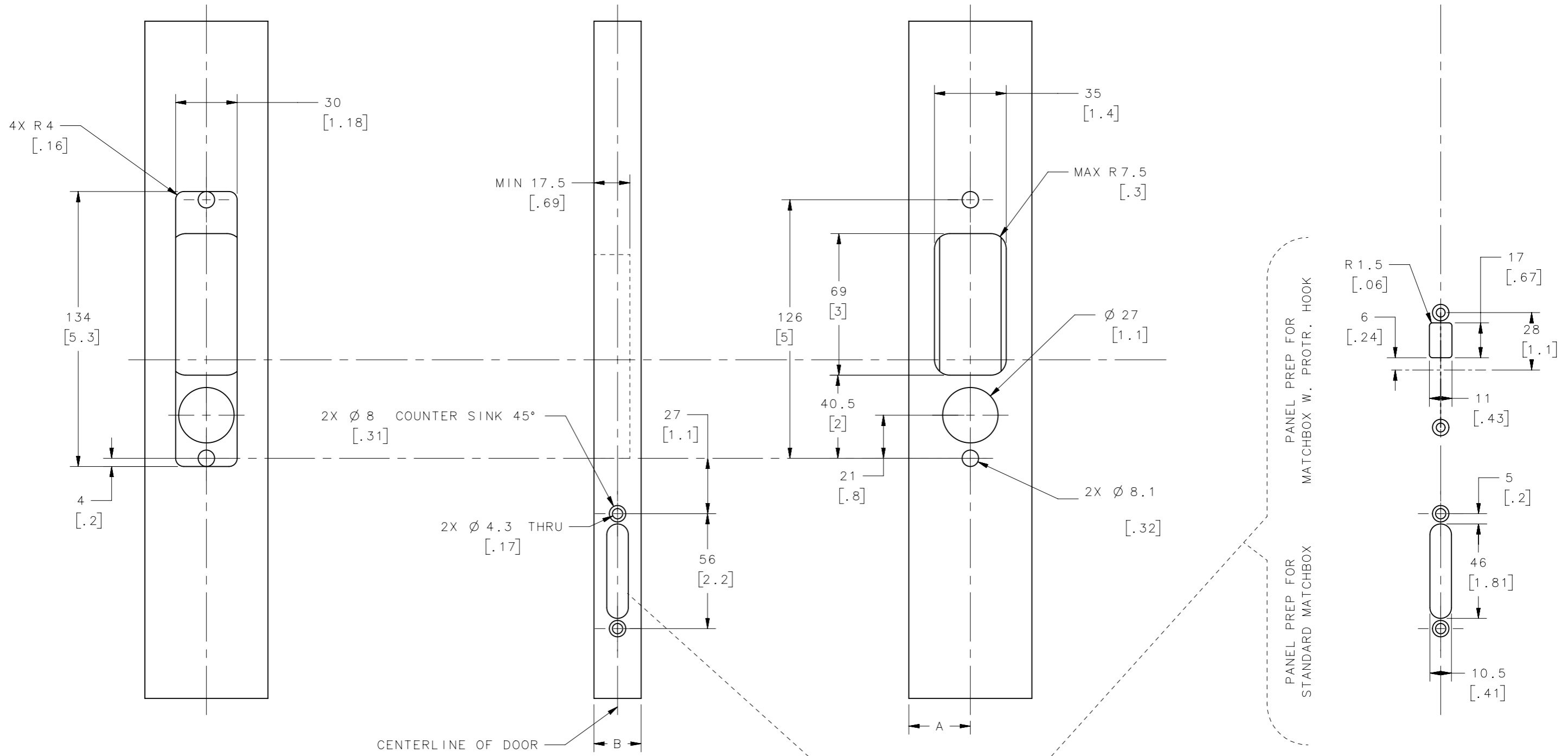
DOOR THICKNESS RANGE [B]	23 - 28.5mm. [0.9 - 1.12]	28.5 - 33.5mm. [1.12 - 1.32]	33.5 - 38mm. [1.32 - 1.5]
STAR SLIDER CHROME, OFFSET HANDLE AND FLUSHED INSIDE HANDLE, STANDARD	MM-03-131-XX-10	MM-03-132-XX-10	MM-03-133-XX-10
STAR SLIDER CHROME, OFFSET HANDLE AND FLUSHED INSIDE HANDLE, PROTRUDING HOOK	MM-03-131-XX-10	MM-03-132-XX-10	MM-03-133-XX-10

**MATERIAL AND FINISH**

OFFSET HANDLE: 316 STAINLESS STEEL, HIGH POLISHED.  
INSIDE HANDLE ESCUTCHEON: ALUMINIUM, BRIGHT CHROME  
INSIDE HANDLE: PA66, BLACK  
ESCUTCHEON: BRASS, BRIGHT CHROME PLATED  
PRIVACY KNOB: BRASS, BRIGHT CHROME PLATED.  
COVER PLATE, LOCK CASE AND LEVER ARM: 316 STAINLESS STEEL.  
MOUNTING SCREWS M4 POZIDRIVE: 316 STAINLESS STEEL.  
SPRINGS: 300 SERIES STAINLESS STEEL.  
GEARS, DRIVE BAR AND RIVETS: BRASS.  
WASHERS FOR DRIVE BAR: NYLON NATURAL.  
PLASTIC COMPONENTS: ACETAL, BLACK.  
MATCHBOX HOUSING AND PLUNGER: ALUMINIUM, NATURAL ANODIZED.  
MATCHBOX HOOKS AND STRIKER: BRASS, NICKEL PLATED.

THIRD ANGLE PROJECTION						
MILLIMETERS [IN]	DESCRIPTION					
TOLERANCES UNLESS OTHERWISE NOTED	STAR SLIDER ASSEMBLY					
ALL DIMENSIONS WITHOUT TOLERANCES ARE FOR REFERENCE ONLY.	SIZE A3	SYSTEM NX	DWG NO. J-MM-03-2			
PER ASME Y14.5M-1994	DRAWN BY DA/HJ	DATE 02JAN2006	SCALE 1:5	SHEET 2 OF 4		

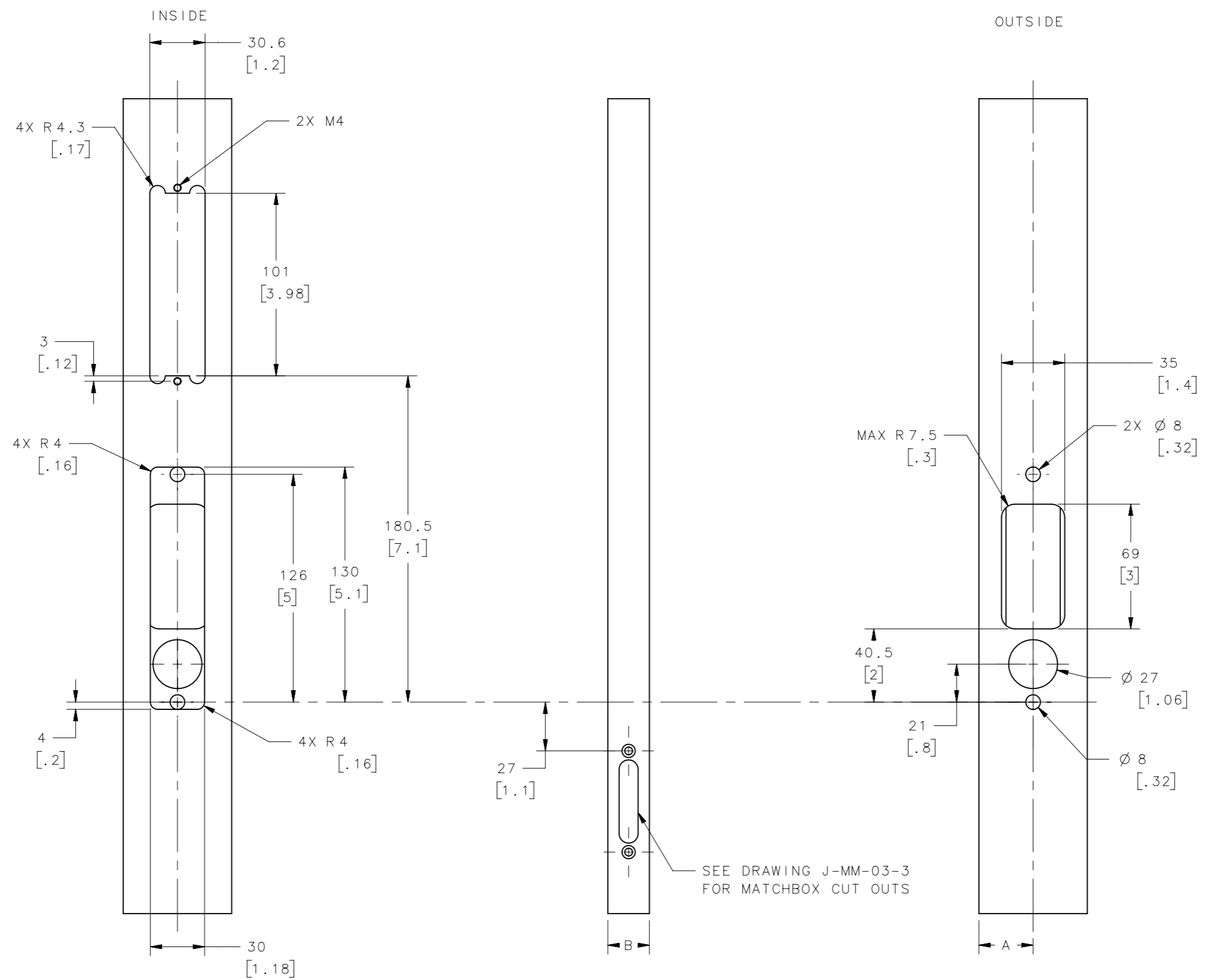
REVISION HISTORY			
REV	DATE	BY	DESCRIPTION
F	14MAY2021	KSH/VK	PRN: P2021-1019



NOTE:  
 1. PANEL PREPERATION FOR ASSEMBLIES MM-03-X3X-14-10  
 2. MIN. DEPTH FOR CUT OUT IS 17.5mm [0.7 inches]

THIRD ANGLE PROJECTION				 CONNECT • CREATE • INNOVATE		
TOLERANCES UNLESS OTHERWISE NOTED		DESCRIPTION				
ALL DIMENSIONS WITHOUT TOLERANCES ARE FOR REFERENCE ONLY.		PANEL PREPERATION FOR STAR SLIDER				
PROPRIETARY ITEM	SIZE	SYSTEM	DWG NO.			
EXCEPT FOR USES EXPRESSLY GRANTED IN WRITING, INFORMATION DISCLOSED HEREON IS CONFIDENTIAL AND ALL RIGHTS, PATENT AND OTHERWISE, ARE RESERVED BY SOUTHCO, INC.	A3	NX	J-MM-03-3			
PER ASME Y14.5M-1994	DRAWN BY	DATE	SCALE	SHEET		
	HJ/HJ	06JUN2004	1:2	3 OF 4		

REVISION HISTORY			
REV	DATE	BY	DESCRIPTION
F	14MAY2021	KSH/VK	PRN: P2021-1019



NOTE:  
 1. PANEL PREPERATION FOR ASSEMBLIES MM-03-X3X-15-10 AND MM-03-X3X-16-10.  
 2. MIN DEPTH FOR CUT OUT IS 17.5mm [0.7 inches]

PROPRIETARY ITEM <small>EXCEPT FOR USES EXPRESSLY GRANTED IN WRITING, INFORMATION DISCLOSED HEREON IS CONFIDENTIAL AND ALL RIGHTS, PATENT AND OTHERWISE, ARE RESERVED BY SOUTHCO, INC.</small>	THIRD ANGLE PROJECTION			
	MILLIMETERS [IN]			
	TOLERANCES UNLESS OTHERWISE NOTED	DESCRIPTION		
	ALL DIMENSIONS WITHOUT TOLERANCES ARE FOR REFERENCE ONLY.	PANEL PREPERATION FOR S. SLIDER FLUSHED INSIDE HANDLE		
PER ASME Y14.5M-1994	SIZE A3	SYSTEM NX	DWG NO. J-MM-03-4	
	DRAWN BY DA/HJ	DATE 02JAN2006	SCALE 1:2	SHEET 4 OF 4