

southco	PROPRIETARY ITEM - EXCEPT FOR USES EXPRESSLY GRANTED IN WRITING INFORMATION DISCLOSED HEREON IS CONFIDENTIAL AND ALL RIGHTS PATENT AND OTHERWISE ARE RESERVED BY SOUTHCO, INC.		DATE	DRAWN/CHKD	DESCRIPTION	DATE	DRAWN	CHKD	SCALE	DRAWING NUMBER
	REV	DATE								
A	26OCT2009	MF/HJ	RELEASED FOR PRODUCTION	26OCT2009	MF	HJ	-	J-MM-05-10C-YY	MILLIMETERS	
B	17MAR2023	PSP/DMS	PRN: P2023-0515							

MATERIAL AND FINISH

PRIVACY KNOB AND ESCUTCHEON; BRASS, SEE TABLE FOR FINISH
 O-RINGS; RUBBER
 COVER PLATE; BRASS, SEE TABLE FOR FINISH
 SCREWS; 316 STAINLESS STEEL
 MATCHBOW HOUSING AND PLUNGER; ALUMINIUM, NATURAL ANODIZED
 MATCHBOX HOOKS AND STRIKER; BRASS, NICKEL PLATED
 SPRINGS; 304 STAINLESS STEEL

NOTES

1. DOOR THICKNESS RANGE "C": 12.7 - 25.5mm [1/2" - 1"]
2. FOR PANEL PREPARATION INSTRUCTIONS SEE DRAWING NUMBER: J-MM-05-10C-YY-2

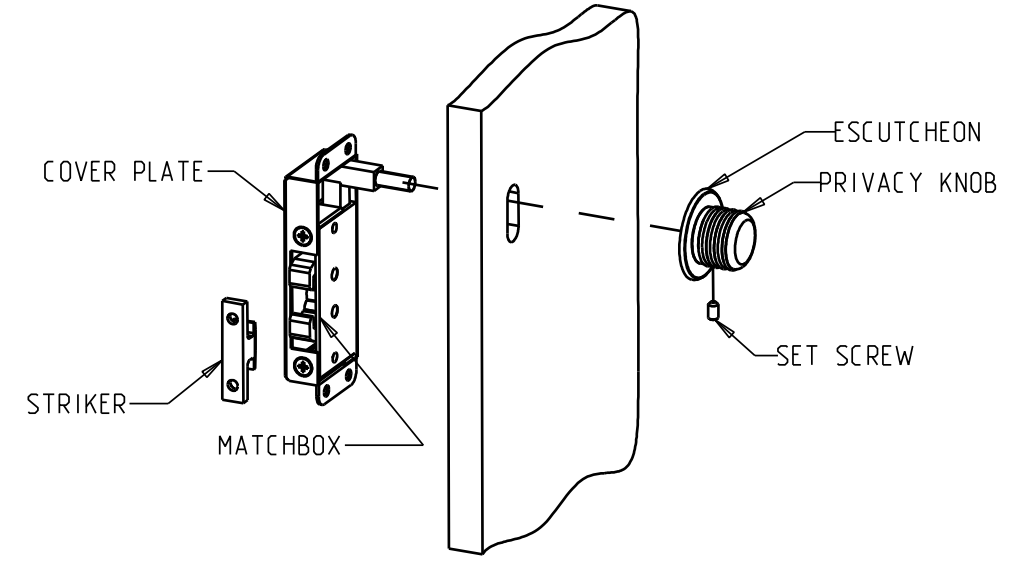
PART NUMBER SYSTEM

MM-05-10C-YY

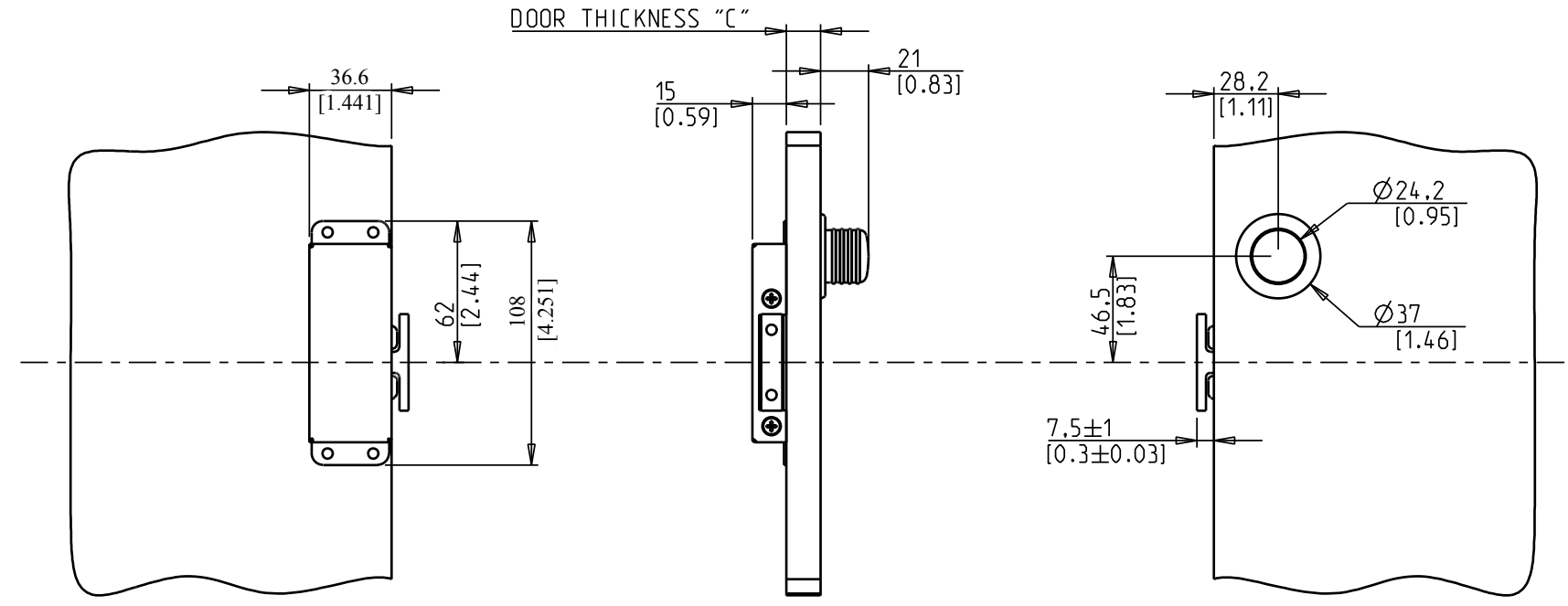
DOOR THICKNESS
FINISH

DOOR THICKNESS (C)
 4 - 12.7 - 19mm [1/2" - 3/4"]
 5 - 19 - 25.5mm [3/4" - 1"]

FINISH FOR HANDLES AND ESCUTCHEONS (YY)
 10 - BRIGHT CHROME
 80 - SANDSTONE



MILLIMETER [INCH]
 MILLIMETER [INCH]



southco

PROPRIETARY ITEM - EXCEPT FOR USES EXPRESSLY GRANTED IN WRITING INFORMATION DISCLOSED HEREON IS CONFIDENTIAL AND ALL RIGHTS PATENT AND OTHERWISE ARE RESERVED BY SOUTHCO, INC.

GRABBER
PANEL PREPARATION

DRAWING NUMBER
J-MM-05-10C-YY-2

REV	DATE	DRAWN/CHKD	DESCRIPTION
A	26OCT2009	MF/HJ	RELEASED FOR PRODUCTION
B	17MAR2023	PSP/DMS	PRN: P2023-0515

DATE	DRAWN	CHKD	SCALE
26OCT2009	MF	HJ	1:2

MILLIMETERS
ALL DIMENSIONS WITHOUT TOLERANCES ARE FOR REFERENCE ONLY.



A3
PAPER
SIZE

MILLIMETER [INCH]
MILLIMETER [INCH]

NOTES

PANEL PREPERATION FOR ASSEMBLIES MM-05-10C-YY

