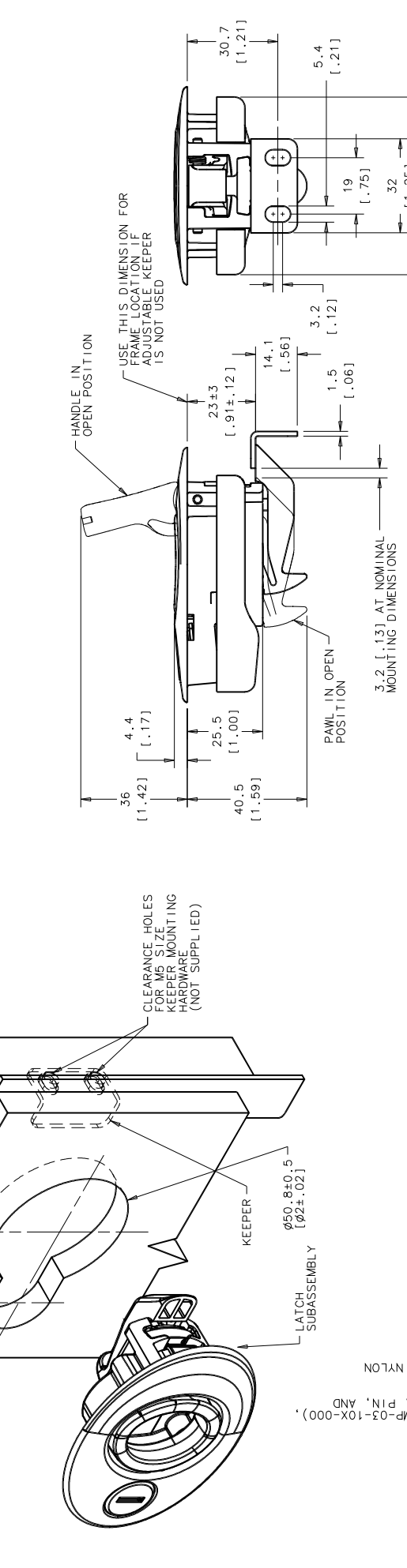
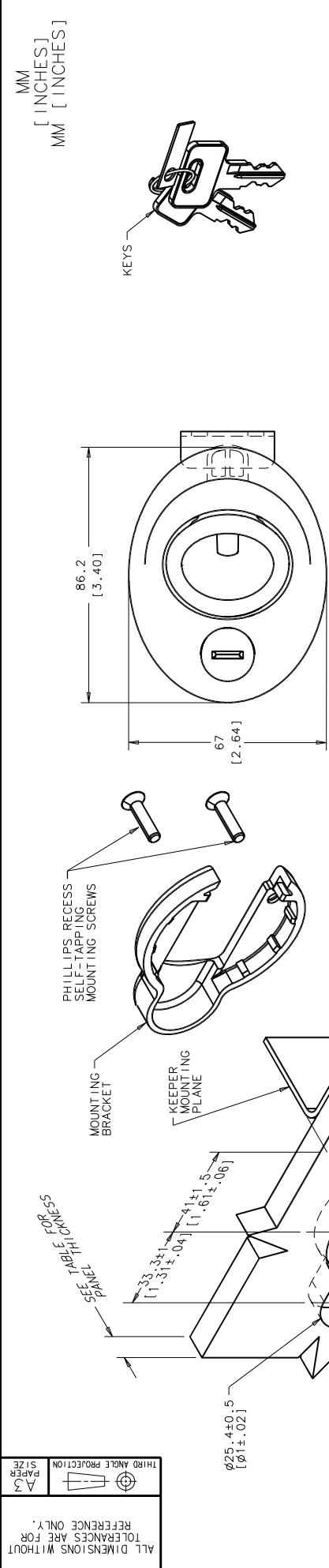


ALL DIMENSIONS WITHOUT TOLERANCES ARE FOR REFERENCE ONLY.  
 THIRD ANGLE PROJECTION  
 PAPER SIZE A3



PANEL THICKNESS	HOUSING FINISH	HANDLE FINISH	ASSEMBLY PART No.
10 - 16 [0.39 - .63]	BLACK	SS	MP-03-110-550
16 - 22 [0.63 - .87]	BLACK	SS	MP-03-111-550
10 - 16 [0.39 - .63]	WHITE	SS	MP-03-110-770
16 - 22 [0.63 - .87]	WHITE	SS	MP-03-111-770
10 - 16 [0.39 - .63]	SS	SS	MP-03-110-000
16 - 22 [0.63 - .87]	SS	SS	MP-03-111-000

CHANGE THIS DIGIT TO 5 FOR LOCKPLUG NOT INSTALLED (FOR NON-STANDARD KEY CODES)

MATERIAL AND FINISH NOTES:  
 HOUSING COVER AND CUP (FOR PART NUMBERS MP-03-10X-000),  
 HANDLE LOCKPLUG HOOD, SPRINGS, FOLLOWER, PIN, AND  
 SCREWS: #16 STAINLESS STEEL  
 MOUNTING BRACKET AND LOCKPLUG CYLINDER: NYLON  
 HOUSING: PC/POLYESTER  
 PAWL CLIP AND GUIDE: ACRYL  
 LOCKPLUG SEAL: POLYURETHANE  
 KEYS: BRASS, NICKEL PLATED