

southco	REV	DATE	DRAWN/CHKD	DESCRIPTION	COMPONENT	MATERIAL	FINISH
	A	25OCT2005	JWU/MDY	PRN: P2005-1382	HOUSING	GF NYLON	BLACK
	B	03JAN2006	DJK/MJS	PRN: P2006-0009	FLANGE	DIE CAST ZINC	SEE TABLE
	C	31AUG2006	JWU/RLR	PRN: P2006-1192	COVER	DIE CAST ZINC	SEE TABLE
	D	30NOV2006	MDY/RLR	PRN: P2006-1683	PAWL	GF NYLON	BLACK
	E	21FEB2008	JWU/RLR	PRN: P2008-0171	RATCHET	DIE CAST ZINC	MATTE CHROME
	F	12NOV2008	JWU/RLR	PRN: P2008-1290	GUIDE	ACETAL	BLACK
	G	19MAY2022	CMS/DMS	PRN: P2022-0935	MOUNTING NUT	GF NYLON	BLACK
					SHAFT	GF NYLON	BLACK
					KNOB SPRING	STAINLESS STEEL	PASSIVATED
				RATCHET SPRING	STAINLESS STEEL	PASSIVATED	
				GUIDE SPRING	STAINLESS STEEL	PASSIVATED	
				LOCKWASHER	STAINLESS STEEL	PASSIVATED	
				GUIDE HELPER SPRING	STAINLESS STEEL	PASSIVATED	
				GASKET	NEOPRENE	BLACK	

MILLIMETERS [INCHES]
MILLIMETERS [INCHES]

DRAWING NUMBER		SCALE	
J-MP-05-1		1:1	
MILLIMETERS			
ALL DIMENSIONS WITHOUT TOLERANCES ARE FOR REFERENCE ONLY.			
A3 PAPER SIZE		THIRD ANGLE PROJECTION	

DATE	DRAWN/CHKD	SCALE
01MAR2005	JWU	1:1
KEEPER	*A*	
MP-510-16-1	23.942 [.944-.8]	
M1-519-4	26.242 [1.034-.8]	
MP-5113	24.442 [.961-.8]	

LATCH OPERATION NOTES:

- TO OPEN, DEPRESS KNOB APPROX. 3MM. KNOB WILL TRANSLATE OUT APPROX. 15MM.
- PULL KNOB TO OPEN DOOR. PAWL WILL RETRACT. SLAM DOOR TO CLOSE. DOOR CAN BE CLOSED WITH KNOB UP OR DOWN.
- DOOR IS LOCKED WHEN KNOB IS IN DEPRESSED POSITION.

NOTES:

- A. FOR KEEPER OPTIONS, SEE DRAWINGS
 J-MP-510-16 FOR HOODED KEEPER, J-M1-519-4 FOR L-BEND STAINLESS KEEPER, AND J-MP-5113 FOR ADJUSTABLE KEEPER

ASSEMBLY PART NUMBER

MP-05-WX2-YZ

LATCH STYLE TYPE
 FLANGE FINISH
 KNOB FINISH

LATCH STYLE (W)

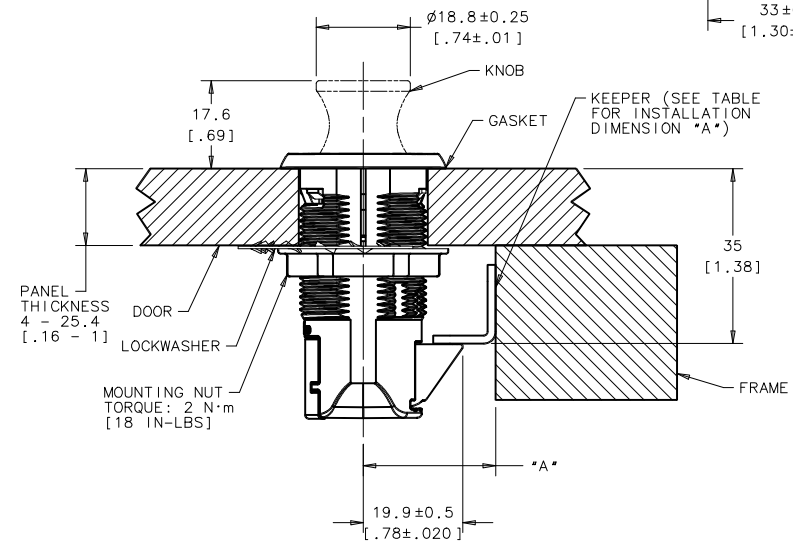
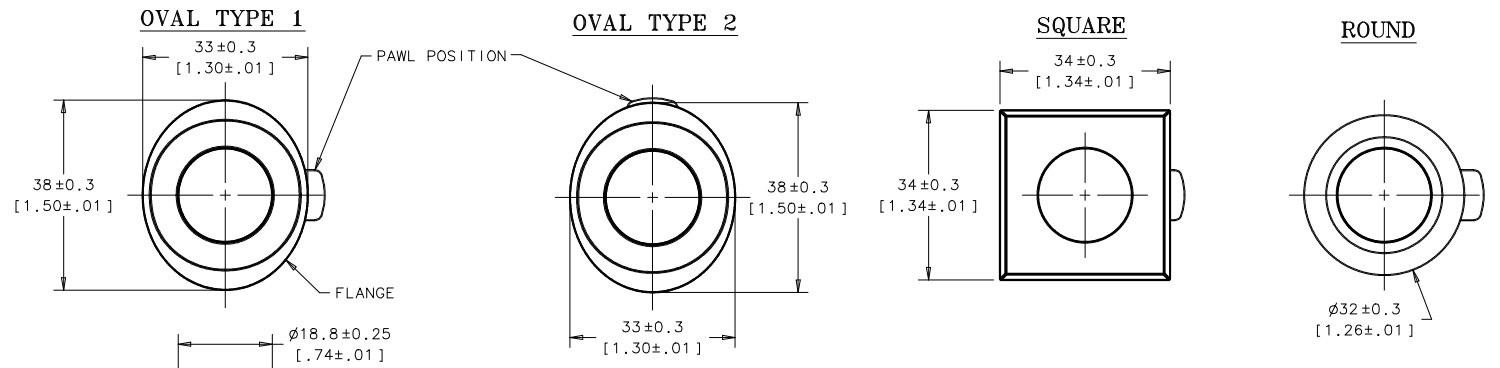
- 1 - OVAL
- 2 - SQUARE
- 3 - ROUND

TYPE (X)

- 1 - TYPE 1 OR UNIVERSAL (FOR SYMMETRICAL FLANGES)
- 2 - TYPE 2

FINISH (FLANGE/KNOB) (Y OR Z)

- 1 - POLISHED CHROME
- 2 - SATIN CHROME
- 3 - BRUSHED NICKEL
- 5 - BLACK POWDERCOAT
- 7 - WHITE POWDERCOAT



PANEL PREPARATION OPTIONS

