

GROMMET PART NUMBER

NY-BG-CC-EE

NOTES:  
 A. RoHS COMPLIANT.  
 B. ALL PANEL PREPARATION DIMENSIONS (D1,D2,G,P) ARE FOR REFERENCE ONLY.

EE	COLOR & MATERIAL	FLAMMABILITY RATING
10	WHITE POLYCARBONATE	UL 94 V2
17	GRAY POLYCARBONATE	UL 94 V2
20	BLACK POLYCARBONATE	UL 94 V2
30	BLACK POLYSULFONE	UL 94 HB
31	NATURAL POLYSULFONE	UL 94 HB
33	RED POLYSULFONE	UL 94 V0
53	BLURPLE POLYCARBONATE	UL 94 V2
55	TERRA COTTA POLYCARBONATE	UL 94 V2

PLUNGER PART NUMBER

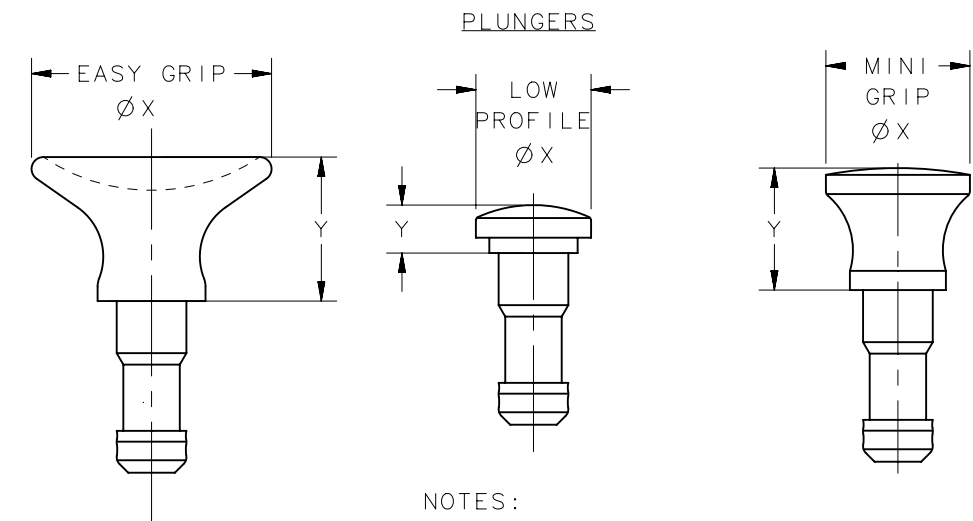
NY-BP-CC-D-EE

EE	COLOR AND MATERIAL	FLAMMABILITY RATING
50	BLACK NYLON	UL 94 V2
51	WHITE NYLON	UL 94 V2
52	GRAY NYLON	UL 94 V2
60	BLACK POLYESTER	UL 94 V0
62	WHITE POLYESTER	UL 94 V0
53	BLURPLE POLYESTER	UL 94 V2
55	TERRA COTTA NYLON	UL 94 V2
56	YELLOW GREEN NYLON	UL 94 V2
63	RED POLYESTER	UL 94 V0

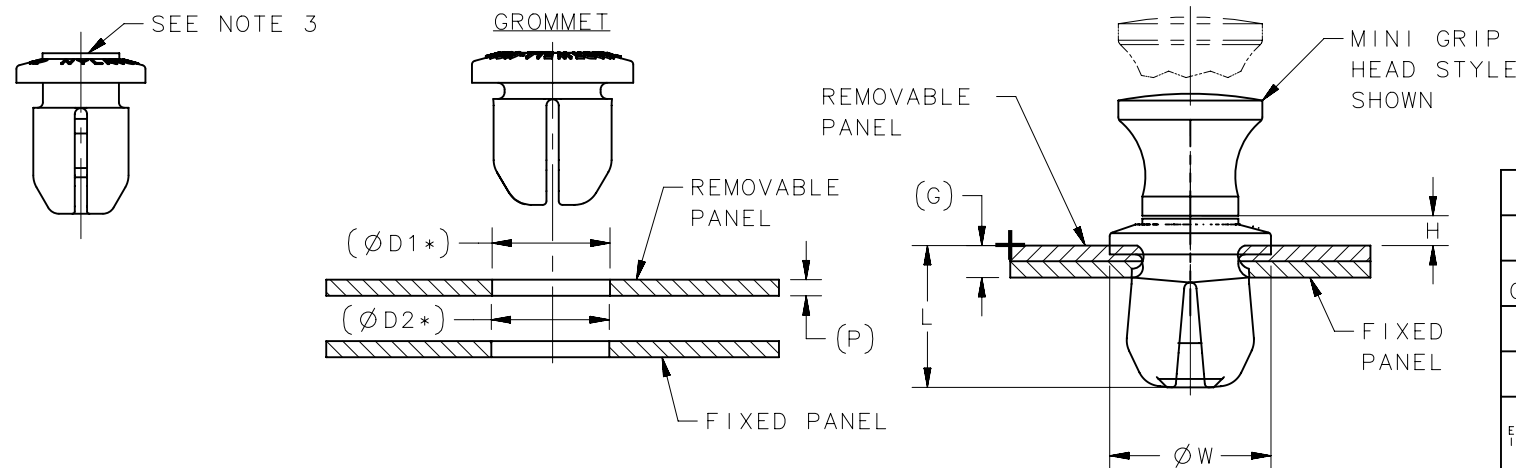
REVISION HISTORY			
REV	DATE	BY	DESCRIPTION
X	31JAN2020	DKP/DMS	PRN: P2020-0187

B	SIZE	CC GROMMET	CC PLUNGER	GRIP RANGE (G)		OUTER SHEET (P) MAX	H MAX	L MAX	ØW	(ØD1)		(ØD2)		OPERABLE HOLE MISALIGNMENT
				MIN	MAX					MIN	MAX	MIN	MAX	
3	3/16"	31	32	.056	.153	.042	.067	.330	.255	.180	.183	.189	.192	±.007 [0.2]
				[14.2]	[3.9]	[1.0]	[1.7]	[8.4]						
				.079	.176	.065	.052	.346						
				[2.0]	[4.5]	[1.6]	[1.3]	[8.8]						
4	1/4"	41	42	.059	.148	.042	.081	.371	.336	.238	.242	.250	.254	±.019 [0.5]
				[14.9]	[3.7]	[1.0]	[2.0]	[9.4]						
				.084	.173	.065	.066	.386						
				[2.1]	[4.4]	[1.6]	[1.7]	[9.8]						
5	5/16"	51	52	.059	.148	.042	.097	.371	.420	.294	.299	.316	.323	±.020 [0.5]
				[14.9]	[3.7]	[1.0]	[2.5]	[9.4]						
				.084	.173	.065	.082	.387						
				[2.1]	[4.4]	[1.6]	[2.1]	[9.8]						
				.118	.207	.098	.082	.429						
[3.0]	[5.2]	[2.5]	[2.1]	[10.9]										
5	5/16"	53	53	.118	.207	.098	.082	.429	.420	.294	.299	.316	.323	±.020 [0.5]
				[3.0]	[5.2]	[2.5]	[2.1]	[10.9]						
5	5/16"	54	54	.182	.271	.162	.082	.494	.420	.294	.299	.316	.323	±.020 [0.5]
				[4.6]	[6.9]	[4.1]	[2.1]	[12.5]						
5	5/16"	55	55	.230	.319	.210	.082	.542	.420	.294	.299	.316	.323	±.020 [0.5]
				[5.8]	[8.1]	[5.3]	[2.1]	[13.8]						

D	HEAD STYLE	3/16" SIZE		1/4" SIZE		5/16" SIZE	
		ØX	Y	ØX	Y	ØX	Y
1	EASY GRIP	.50	.32	.57	.34	.63	.38
		[12.7]	[8.1]	[14.4]	[8.6]	[16.0]	[9.6]
3	TAMPER PROOF	.26	.10	.28	.10	.30	.11
		[6.6]	[2.54]	[7.1]	[2.54]	[7.6]	[2.8]
4	MINI GRIP	.25	.26	.32	.28	.38	.30
		[6.3]	[6.6]	[8.1]	[7.1]	[9.6]	[7.6]



- PLUNGERS
- NOTES:
- 32 PLUNGER FITS IN 31 AND 32 GROMMET.  
42 PLUNGER FITS IN 41 AND 42 GROMMET.  
52 PLUNGER FITS IN 51 AND 52 GROMMET.
  - NY-5G-53-10 PACKAGE 1000 PARTS PER BAG. LABEL EACH BAG WITH STANDARD STOCK LABEL, PER S-34-1X-A.
  - GROMMETS NY-4G-41-XX AND NY-4G-42-XX WOULD COME WITH A BOSS.



CAGE CODE: 94222	THIRD ANGLE PROJECTION	 CONNECT • CREATE • INNOVATE	
	INCHES [MM]		
PER ASME Y14.5M-1994	TOLERANCES UNLESS OTHERWISE NOTED	DESCRIPTION NY LATCH PANEL FASTENER TWO PIECE	
	ALL DIMENSIONS WITHOUT TOLERANCES ARE FOR REFERENCE ONLY.	SIZE B	SYSTEM NX
PROPRIETARY ITEM <small>EXCEPT FOR USES EXPRESSLY GRANTED IN WRITING, INFORMATION DISCLOSED HEREON IS CONFIDENTIAL AND ALL RIGHTS, PATENT AND OTHERWISE, ARE RESERVED BY SOUTHCO, INC.</small>	PER ASME Y14.5M-1994	DWG NO. J-NY-3G	SCALE 2:1
		DRAWN BY MDY	SHEET 1 OF 1
		DATE 08FEB2005	