

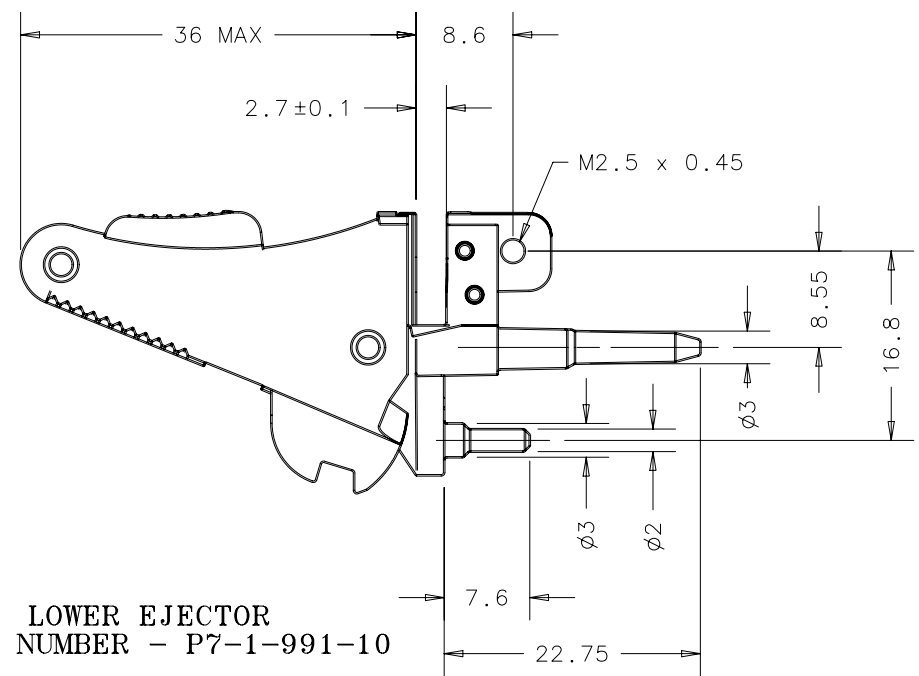
REV	DATE	DRAWN/CHKD	DESCRIPTION	ITEM	MATERIAL	FINISH/COLOR
A	23FEB2007	SKB/NB	INITIAL RELEASE	EJECTOR BASE	ZINC	BRIGHT NICKEL
B	12APR2007	SKB/MJS	PRN: P2007-0508	EJECTOR JAWS RELEASE BUTTON EJECTOR COVER PIN	ZINC PC/ABS PC/ABS STEEL	BRIGHT NICKEL RED BLACK ZINC, CHROMATE
				FACEPLATE MOUNTING SCREW	STEEL	ZINC, CHROMATE

MILLIMETERS

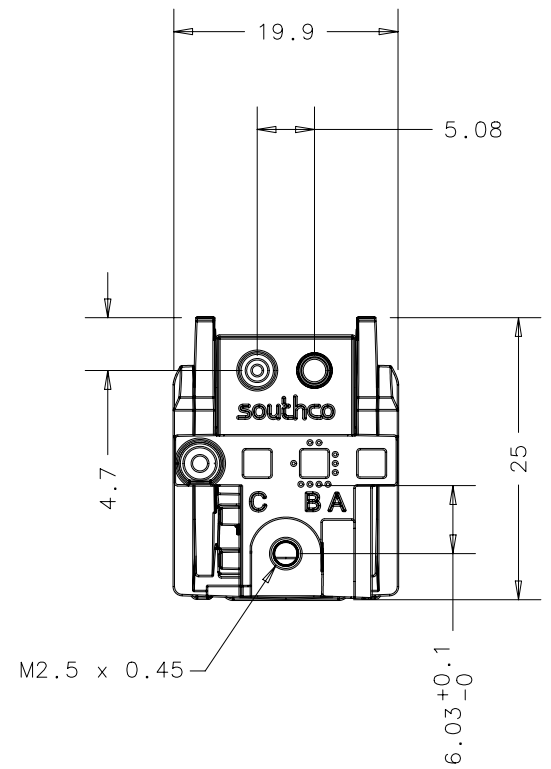
ALL DIMENSIONS WITHOUT TOLERANCES ARE FOR REFERENCE ONLY.

A3 PAPER SIZE
THIRD ANGLE PROJECTION

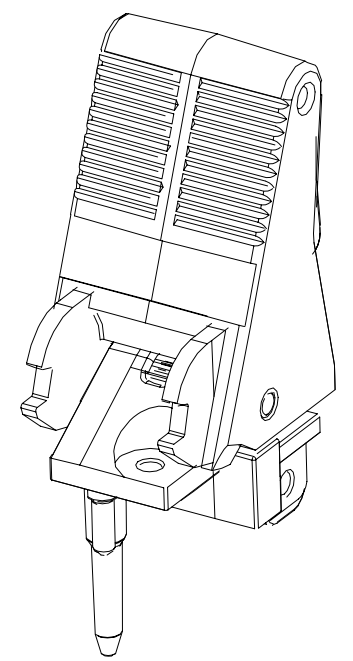
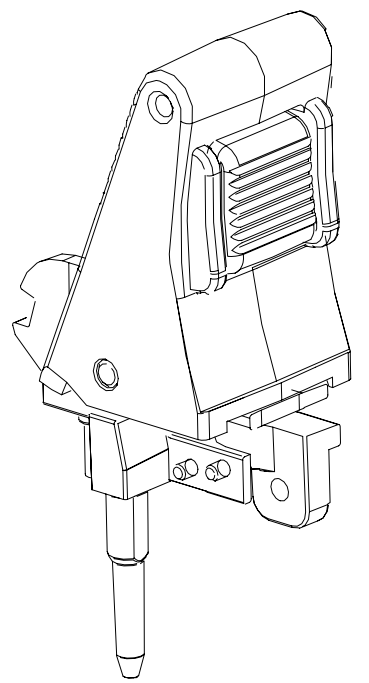
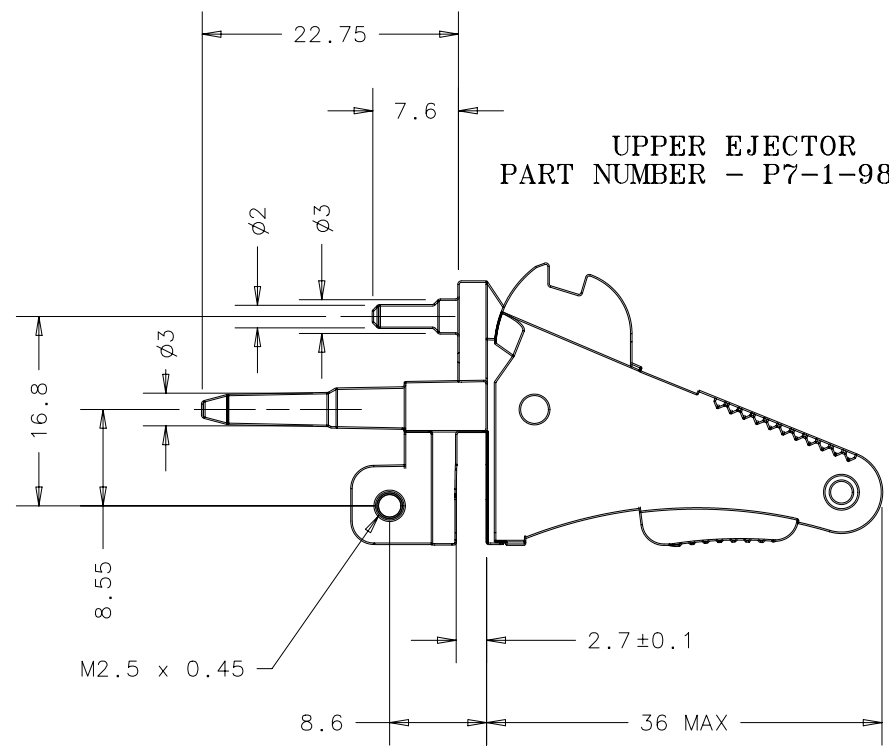
LOWER EJECTOR
PART NUMBER - P7-1-991-10



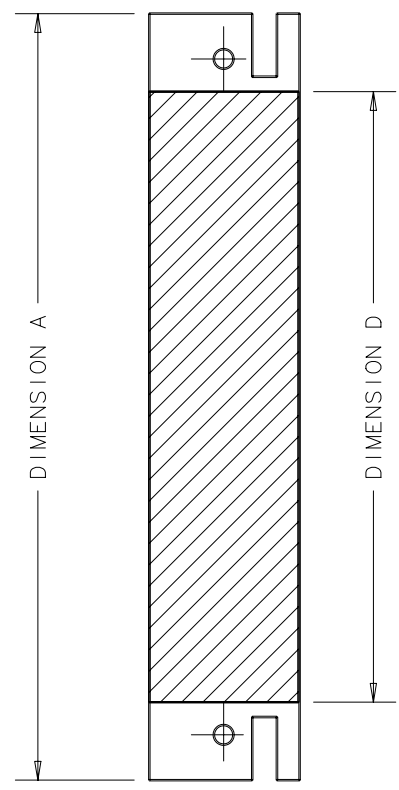
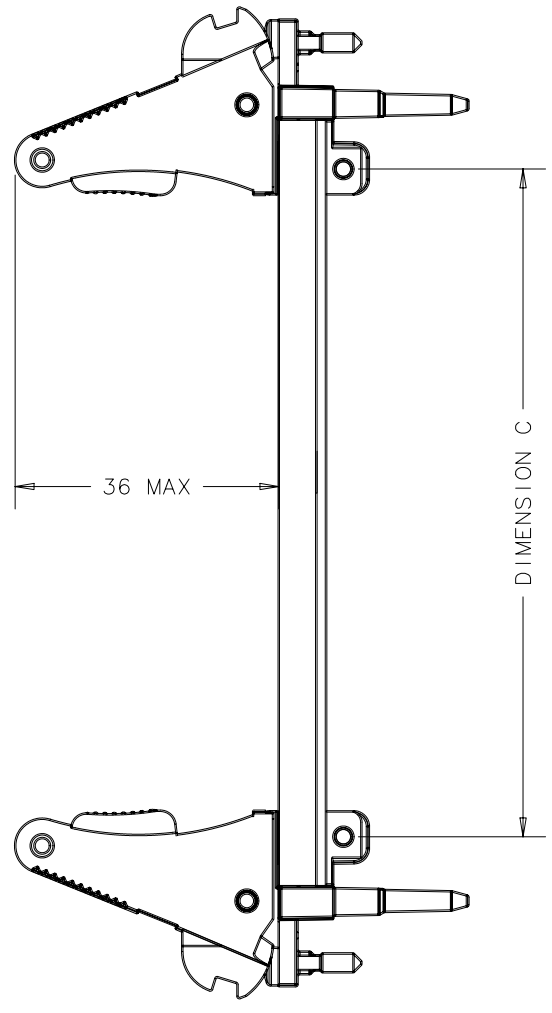
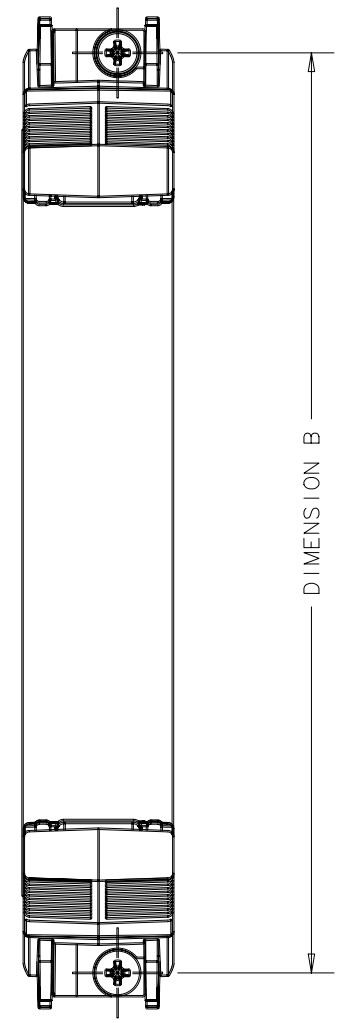
- NOTES:
- ORDER BY PART NUMBER P7-1-981-10 OR P7-1-991-10. BOTH ASSEMBLIES INCLUDE 1 OFF EJECTOR (UPPER OR LOWER) AND 1 OFF FACEPLATE MOUNTING SCREW.
 - ASSEMBLIES SUPPLIED IN BOXED IN CARDBOARD TRAYS IN MULTIPLES OF 75 OFF. SCREWS SUPPLIED IN A PLASTIC BAG IN MULTIPLES OF 75 WITHIN EJECTOR PACKAGING.
 - FOR INDIVIDUAL PACKAGED ASSEMBLY ADD -P1 TO THE ASSEMBLY PART NUMBER (P7-1-9X1-10-P1)
 - REFERENCE: COMPACT PCI STANDARD PICMG 2.0 R3.0



UPPER EJECTOR
PART NUMBER - P7-1-981-10



	DIM A	DIM B	DIM C	DIM D	DIM E
3U	102.05	122.5	88.9	81.3	128.7
4U	146.5	166.95	133.35	125.75	173.15
6U	235.4	255.85	222.25	214.65	262.05
9U	368.75	389.2	355.6	348	395.4



AREA SHOWN TO BE KEPT CLEAR FOR FRONT MOUNTED COMPONENTS

