

**southco**

PROPRIETARY ITEM - EXCEPT FOR USES EXPRESSLY GRANTED IN WRITING INFORMATION DISCLOSED HEREON IS CONFIDENTIAL AND ALL RIGHTS PATENT AND OTHERWISE ARE RESERVED BY SOUTHCO, INC.

EJECTOR  
1mm FACEPLATE, PMC COMPATIBLE

DATE: 29APR2005  
DRAWN: RES  
CHKD: AJH  
SCALE: 2:1

DRAWING NUMBER: J-P7-A-513-11

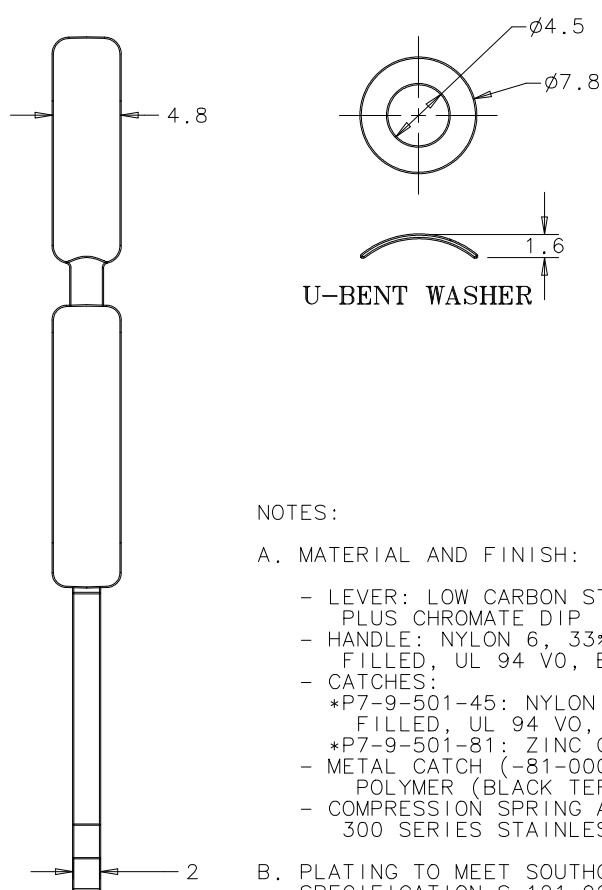
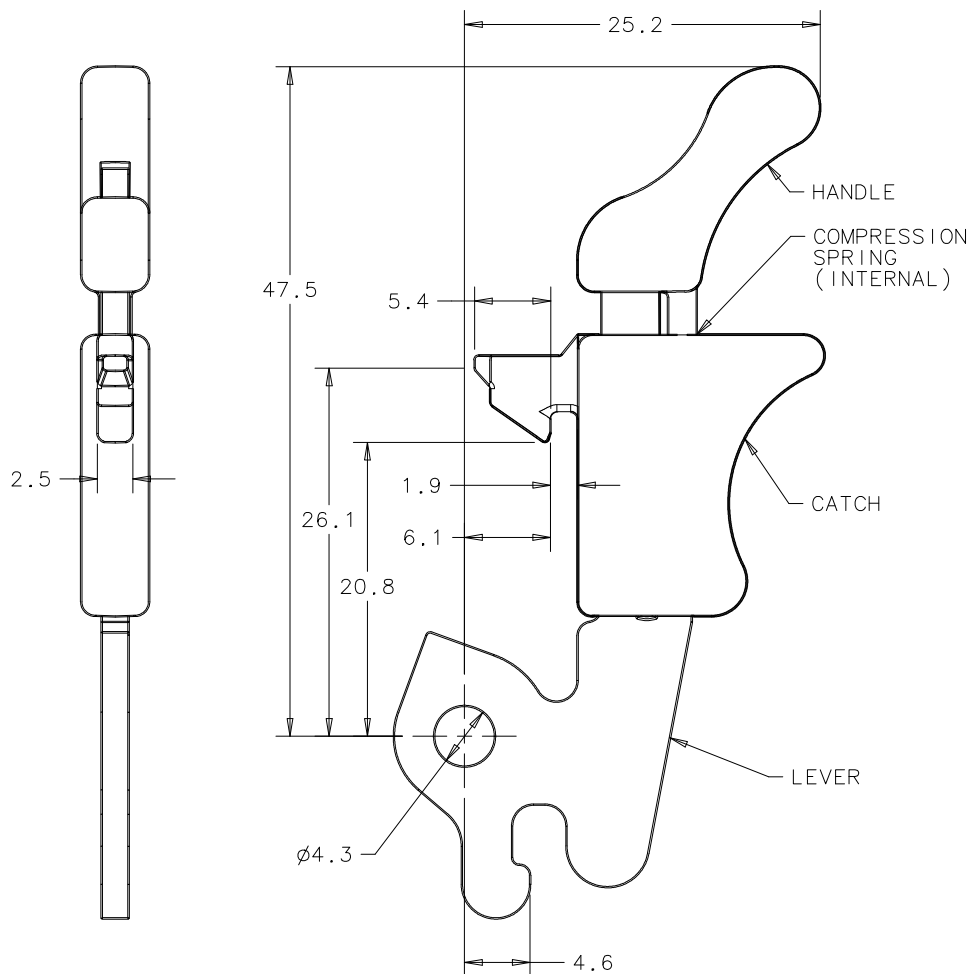
REV	DATE	DRAWN/CHKD	DESCRIPTION	PART NUMBER	MATERIAL AND FINISH	COLOR	PACKAGING
A	14SEP2006	AJH/MDY	PRN: P2006-1240	P7-A-513-11	SEE NOTE A	SEE NOTE A	BULK PACKAGE IN QTYS OF 100 PCS.
B	24SEP2008	TN/XXX	PRN: P2008-1056	P7-A-513-11-1			INDIVIDUALLY PACKAGED
C	17FEB2010	ACH/MJS	PRN: P2010-0155	P7-A-513-81	SEE NOTE A		BULK PACKAGE IN QTYS OF 100 PCS.
D	06SEP2013	CMS/RSZ	PRN: P2013-1799	P7-A-513-81-1			INDIVIDUALLY PACKAGED
E	03FEB2016	CMS/MSR	PRN: P2016-0240	P7-A-513-11-XXX	SEE NOTE A	SEE J-47-0-3 FOR COLOR ONLY	
				P7-A-513-81-000	SEE NOTE A	SEE J-47-0-3 FOR COLOR ONLY	

**MILLIMETERS**

ALL DIMENSIONS WITHOUT TOLERANCES ARE FOR REFERENCE ONLY.

THIRD ANGLE PROJECTION  
A4 PAPER SIZE

SHEET 1 OF 2



NOTES:

- A. MATERIAL AND FINISH:
  - LEVER: LOW CARBON STEEL, ZINC PLATE PLUS CHROMATE DIP
  - HANDLE: NYLON 6, 33% GLASS FILLED, UL 94 V0, BLACK
  - CATCHES:
    - \*P7-9-501-45: NYLON 6 33% GLASS FILLED, UL 94 V0, BLACK
    - \*P7-9-501-81: ZINC CASTING, NICKEL PLATED
  - METAL CATCH (-81-000): ZINC CASTING POLYMER (BLACK TEFLON) COAT.
  - COMPRESSION SPRING AND U-BENT WASHER: 300 SERIES STAINLESS STEEL, NATURAL
- B. PLATING TO MEET SOUTHCO COSMETIC SPECIFICATION S-121-02 CLASS C
- C. RoHS COMPLIANT.

**southco**

PROPRIETARY ITEM - EXCEPT FOR USES EXPRESSLY GRANTED IN WRITING INFORMATION DISCLOSED HEREON IS CONFIDENTIAL AND ALL RIGHTS PATENT AND OTHERWISE ARE RESERVED BY SOUTHCO, INC.

EJECTOR  
1mm FACEPLATE, PMC COMPATIBLE

DATE	DRAWN	CHKD	SCALE
29APR2005	RES	AJH	1:1

DRAWING NUMBER  
J-P7-A-513-11

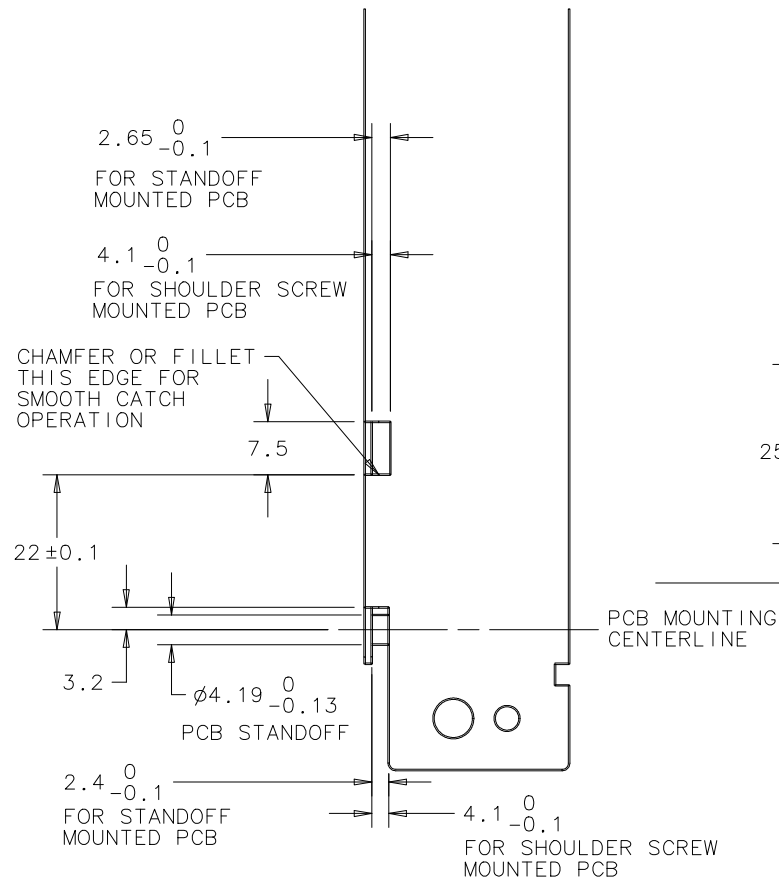
REV	DATE	DRAWN/CHKD	DESCRIPTION	PART NUMBER	MATERIAL AND FINISH	COLOR	PACKAGING
A	14SEP2006	AJH/MDY	PRN: P2006-1240	P7-A-513-11	SEE NOTE A	SEE NOTE A	BULK PACKAGE IN QTYS OF 100 PCS.
B	24SEP2008	TN/XXX	PRN: P2008-1056	P7-A-513-11-1			INDIVIDUALLY PACKAGED
C	17FEB2010	ACH/MJS	PRN: P2010-0155	P7-A-513-81	SEE NOTE A		BULK PACKAGE IN QTYS OF 100 PCS.
D	06SEP2013	CMS/RSZ	PRN: P2013-1799	P7-A-513-81-1			INDIVIDUALLY PACKAGED
E	03FEB2016	CMS/MSR	PRN: P2016-0240	P7-A-513-11-XXX	SEE NOTE A	SEE J-47-0-3 FOR COLOR ONLY	
				P7-A-513-81-000	SEE NOTE A	SEE J-47-0-3 FOR COLOR ONLY	

**MILLIMETERS**  
ALL DIMENSIONS WITHOUT TOLERANCES ARE FOR REFERENCE ONLY.

THIRD ANGLE PROJECTION

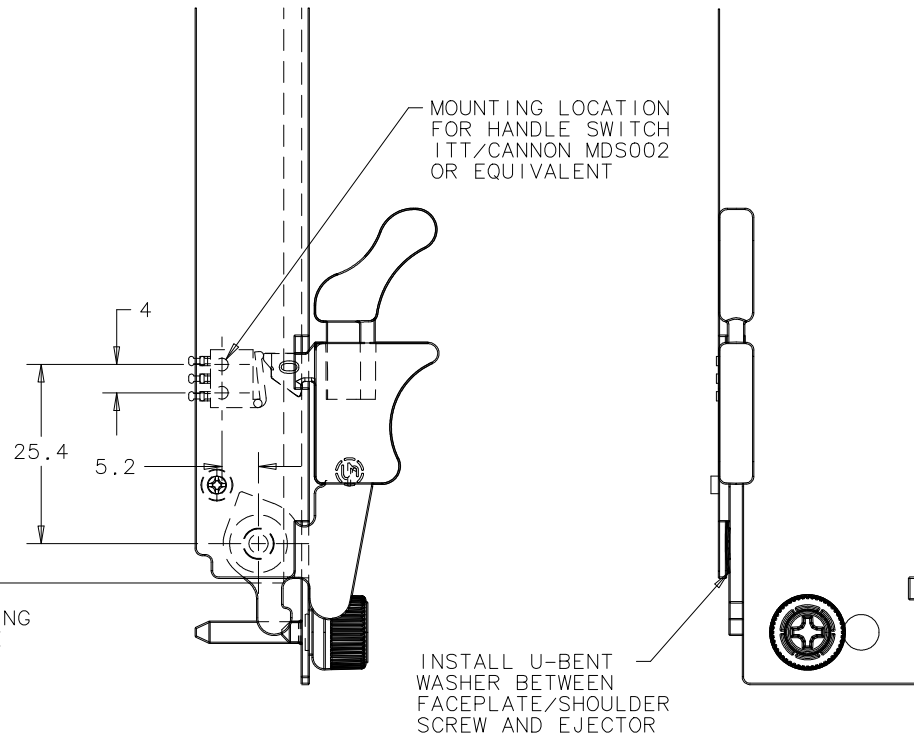
A4 PAPER SIZE

SHEET 2 OF 2



**PANEL PREPARATION**

MAXIMUM FACEPLATE THICKNESS: 1.5mm



**EJECTOR INSTALLATION**