

southco

PROPRIETARY ITEM - EXCEPT FOR USES EXPRESSLY GRANTED IN WRITING INFORMATION DISCLOSED HEREON IS CONFIDENTIAL AND ALL RIGHTS PATENT AND OTHERWISE ARE RESERVED BY SOUTHCO, INC.

EJECTOR
1mm FACEPLATE, PLUNGER MICROSWITCH

DATE	DRAWN	CHKD	SCALE
02MAY2005	RES	AJH	2:1

DRAWING NUMBER
J-P7-A-533-11

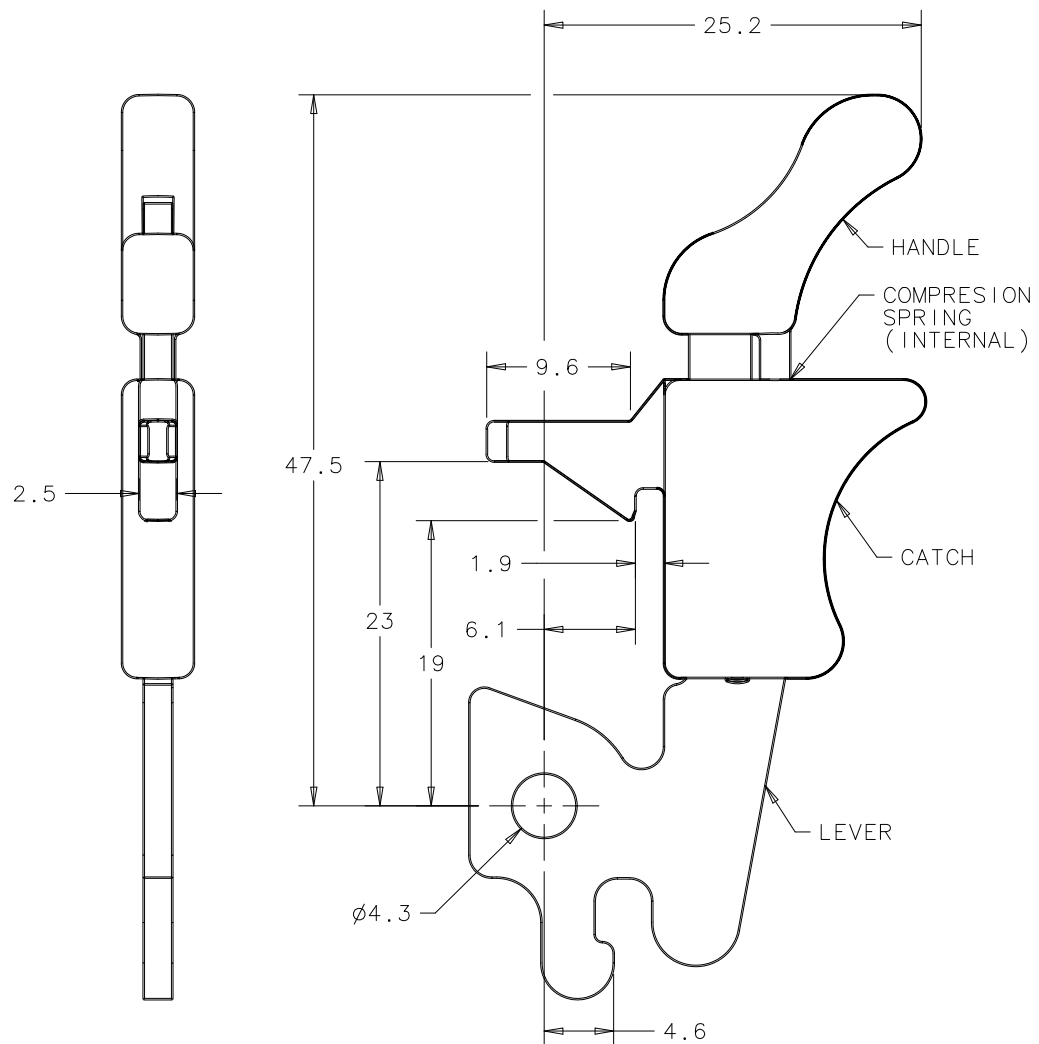
REV	DATE	DRAWN/CHKD	DESCRIPTION	PART NUMBER	MATERIAL AND FINISH	COLOR
A	27JAN2006	MDY/AJH	PRN: P2006-0182	P7-A-533-11	SEE NOTE A	SEE NOTE A
B	21JUN2006	AJH/MDY	PRN: P2006-0862	P7-A-533-15	SEE NOTE A	SEE NOTE A
C	15JUN2007	RES/AJH	PRN: P2007-0786	P7-A-533-11-XXX	SEE NOTE A	SEE J-47-0-3 FOR COLOR ONLY
D	11JAN2008	VSV/VGV	PRN: P2008-0032	P7-A-533-81	SEE NOTE A	SEE NOTE A
E	25MAY2012	ML/JQ	PRN: P2012-0694	P7-A-533-81-XXX	SEE NOTE A	SEE J-47-0-3 FOR COLOR ONLY

MILLIMETERS

ALL DIMENSIONS WITHOUT TOLERANCES ARE FOR REFERENCE ONLY.

THIRD ANGLE PROJECTION
A4 PAPER SIZE

SHEET 1 OF 2



BELLEVILLE WASHER

NOTES:

- A. MATERIAL AND FINISH:
- LEVER (-11): LOW CARBON STEEL, ZINC PLATE PLUS CHROMATE DIP
 - LEVER (-15): LOW CARBON STEEL, ZINC PLATE BLACK CHROMATE
 - HANDLE: NYLON 6, 33% GLASS FILLED, UL 94 V0, BLACK
 - METAL CATCH (-81): ZINC CASTING, NICKEL PLATED
 - METAL CATCH (-81-000): ZINC CASTING, POLYMER (BLACK TEFLON) COAT.
 - PLASTIC CATCH (-11 & -15): NYLON 6, 33% GLASS FILLED, UL 94 V0, BLACK
 - COMPRESSION SPRING AND U-BENT WASHER: 300 SERIES STAINLESS STEEL, NATURAL
- B. PLATING TO MEET SOUTHCO COSMETIC SPECIFICATION S-121-02 CLASS C.
- C. RoHS COMPLIANT.

southco

PROPRIETARY ITEM - EXCEPT FOR USES EXPRESSLY GRANTED IN WRITING INFORMATION DISCLOSED HEREON IS CONFIDENTIAL AND ALL RIGHTS PATENT AND OTHERWISE ARE RESERVED BY SOUTHCO, INC.

EJECTOR
1mm FACEPLATE, PLUNGER MICROSWITCH

DATE	DRAWN	CHKD	SCALE
02MAY2005	RES	AJH	1:1

DRAWING NUMBER
J-P7-A-533-11

REV	DATE	DRAWN/CHKD	DESCRIPTION	PART NUMBER	MATERIAL AND FINISH	COLOR
A	27JAN2006	MDY/AJH	PRN: P2006-0182	P7-A-533-11	SEE NOTE A	SEE NOTE A
B	21JUN2006	AJH/MDY	PRN: P2006-0862	P7-A-533-15	SEE NOTE A	SEE NOTE A
C	15JUN2007	RES/AJH	PRN: P2007-0786	P7-A-533-11-XXX	SEE NOTE A	SEE J-47-0-3 FOR COLOR ONLY
D	11JAN2008	VSV/VGV	PRN: P2008-0032	P7-A-533-81	SEE NOTE A	SEE NOTE A
E	25MAY2012	ML/JQ	PRN: P2012-0694	P7-A-533-81-XXX	SEE NOTE A	SEE J-47-0-3 FOR COLOR ONLY

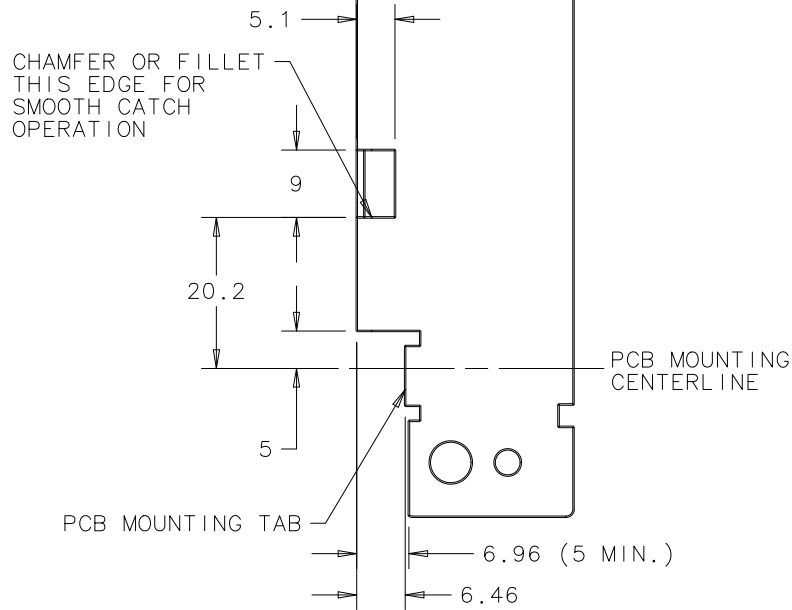
MILLIMETERS

ALL DIMENSIONS WITHOUT TOLERANCES ARE FOR REFERENCE ONLY.

THIRD ANGLE PROJECTION

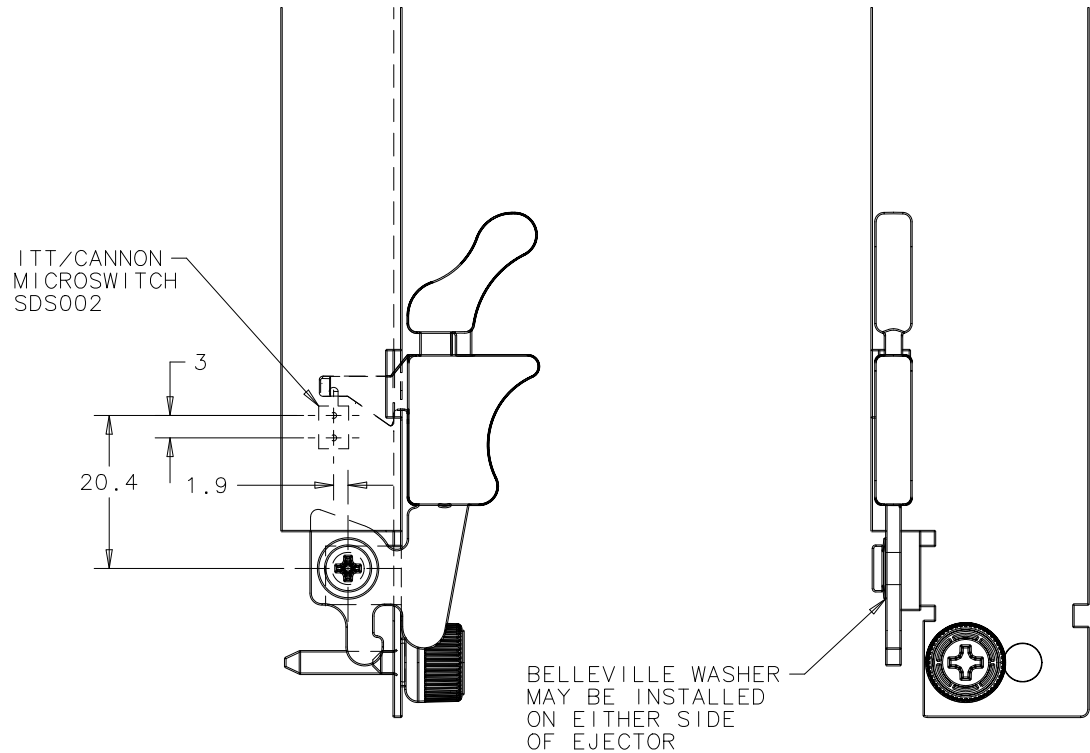
A4 PAPER SIZE

SHEET 2 OF 2



PANEL PREPARATION

FACEPLATE THICKNESS 1mm



EJECTOR INSTALLATION