

southco

PROPRIETARY ITEM - EXCEPT FOR USES EXPRESSLY GRANTED IN WRITING INFORMATION DISCLOSED HEREON IS CONFIDENTIAL AND ALL RIGHTS PATENT AND OTHERWISE ARE RESERVED BY SOUTHCO, INC.

EJECTOR
PMC 2.5mm FACEPLATE, PLUNGER SWITCH

DATE	DRAWN	CHKD	SCALE	DRAWING NUMBER
03MAY2005	RES	AJH	2:1	J-P7-A-543-11

REV	DATE	DRAWN/CHKD	DESCRIPTION	PART NUMBER	MATERIAL AND FINISH	COLOR
A	21JUN2006	AJH/MDY	PRN: P2006-0862	P7-A-543-11	SEE NOTE A	SEE NOTE A
				P7-A-543-11-XXX	SEE NOTE A	SEE J-47-0-3 FOR COLOR ONLY

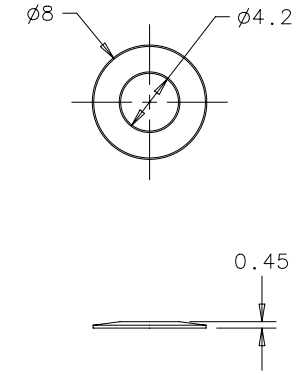
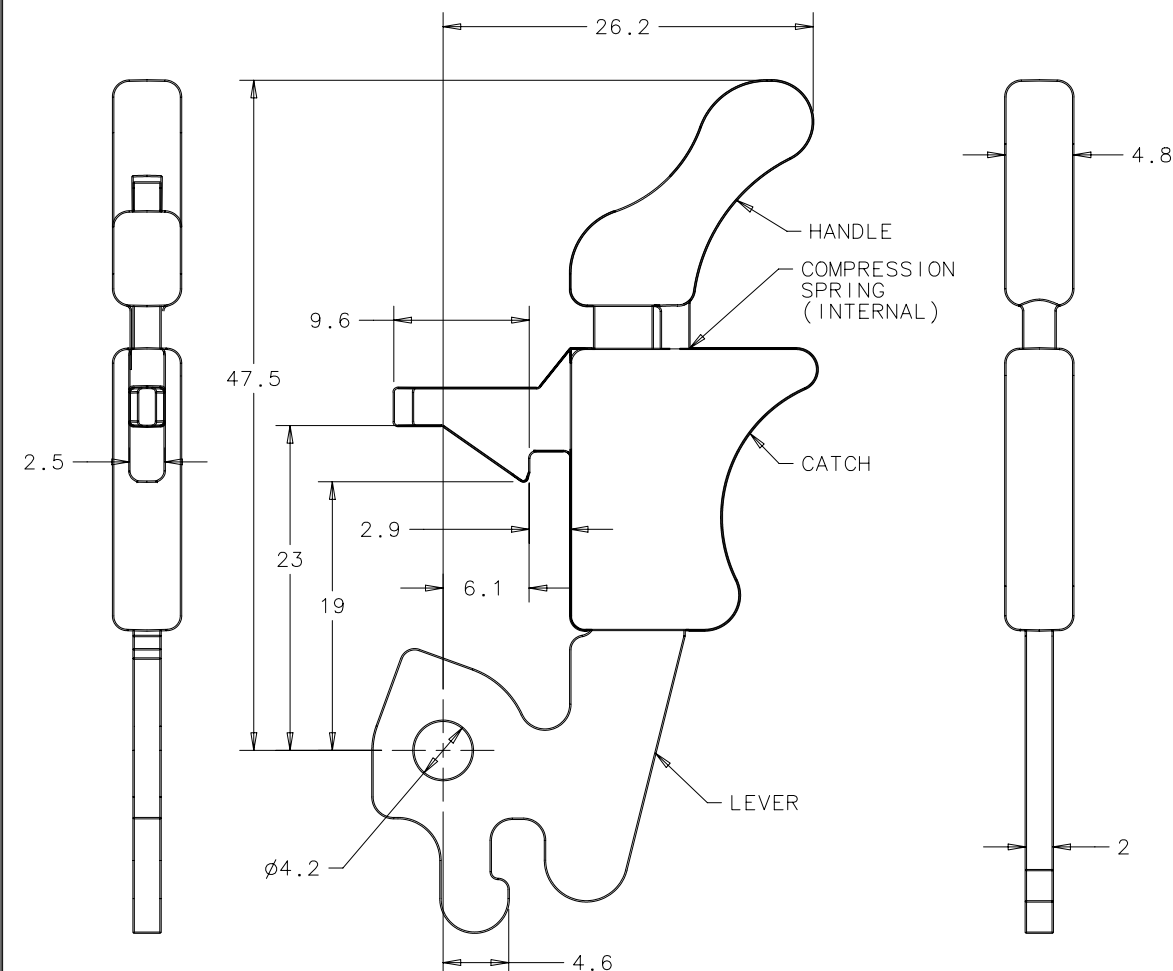
MILLIMETERS

ALL DIMENSIONS WITHOUT TOLERANCES ARE FOR REFERENCE ONLY.

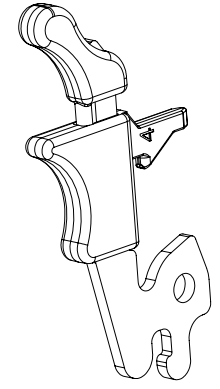
THIRD ANGLE PROJECTION

A4 PAPER SIZE

SHEET 1 OF 2



BELLEVILLE WASHER



- NOTES:
- A. MATERIAL AND FINISH:
 - LEVER: LOW CARBON STEEL, ZINC PLATE PLUS CHROMATE DIP
 - CATCH AND HANDLE: NYLON 6, 33% GLASS FILLED, UL 94 V0, BLACK
 - COMPRESSION SPRING AND BELLEVILLE WASHER: 300 SERIES STAINLESS STEEL, NATURAL
 - B. PLATING TO MEET SOUTHCO COSMETIC SPECIFICATION S-121-02 CLASS C

southco

PROPRIETARY ITEM - EXCEPT FOR USES EXPRESSLY GRANTED IN WRITING INFORMATION DISCLOSED HEREON IS CONFIDENTIAL AND ALL RIGHTS PATENT AND OTHERWISE ARE RESERVED BY SOUTHCO, INC.

EJECTOR
PMC 2.5mm FACEPLATE, PLUNGER SWITCH

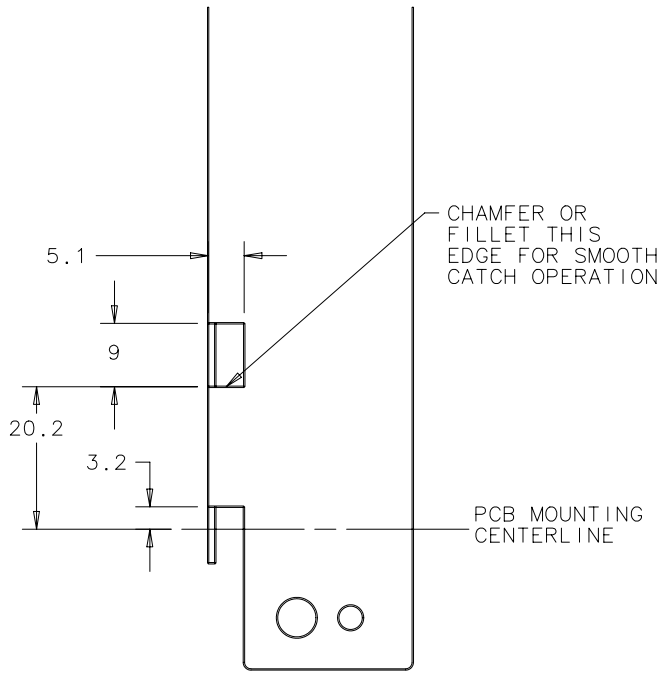
DATE	DRAWN	CHKD	SCALE	DRAWING NUMBER
03MAY2005	RES	AJH	1:1	J-P7-A-543-11

REV	DATE	DRAWN/CHKD	DESCRIPTION	PART NUMBER	MATERIAL AND FINISH	COLOR
A	21JUN2006	AJH/MDY	PRN: P2006-0862	P7-A-543-11	SEE NOTE A	SEE NOTE A
				P7-A-543-11-XXX	SEE NOTE A	SEE J-47-0-3 FOR COLOR ONLY

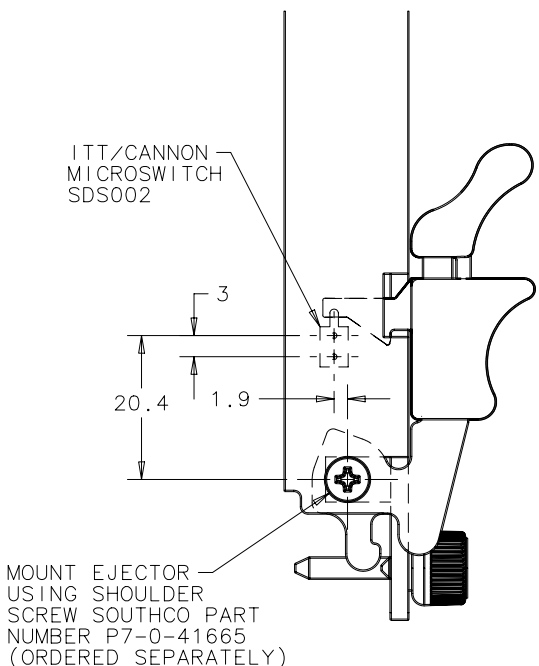
MILLIMETERS

ALL DIMENSIONS WITHOUT TOLERANCES ARE FOR REFERENCE ONLY.

THIRD ANGLE PROJECTION
A4 PAPER SIZE



PANEL PREPARATION
FACEPLATE THICKNESS: 2.5mm



INSTALL BELLEVILLE WASHER BETWEEN SHOULDER SCREW AND EJECTOR

EJECTOR INSTALLATION