


REV	DATE	DRAWN/CHKD	DESCRIPTION	PART NUMBER	MODULE SIZE	LENS TYPE	DIM. A	DIM. B	DIM. C
A	09JAN2007	TMS/	ADDED FLUSH ASSEMBLY PART NUMBERS	P7-L-811	COMPACT	ROUND	2.1	12.50	13.88
				P7-L-812	MID SIZE	ROUND	2.1	17.55	18.96
B	11MAR2007	TMS/MJS	PRN: P2007-0501	P7-L-813	FULL SIZE	ROUND	2.1	27.55	28.95
				P7-L-811-11	COMPACT	FLUSH	0.3	12.50	13.88
				P7-L-812-11	MID SIZE	FLUSH	0.3	17.55	18.96
				P7-L-813-11	FULL SIZE	FLUSH	0.3	27.55	28.95

**MILLIMETERS**

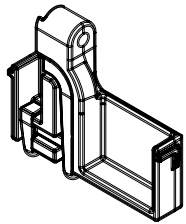
ALL DIMENSIONS WITHOUT TOLERANCES ARE FOR REFERENCE ONLY.

THIRD ANGLE PROJECTION  A4 PAPER SIZE

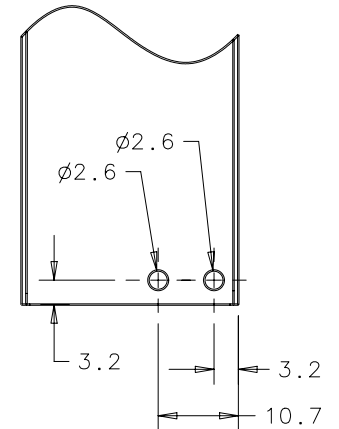
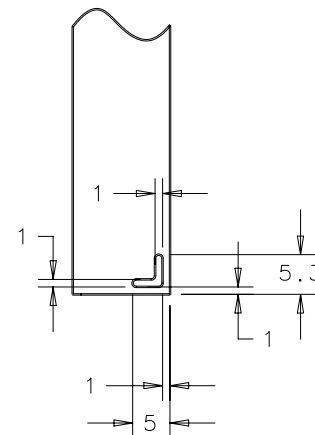
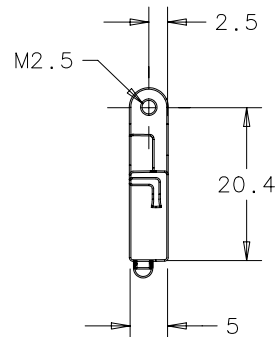
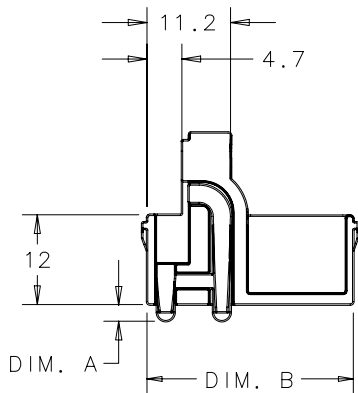
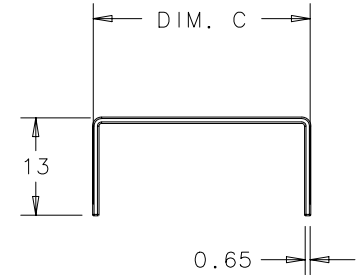
**SHEET 1 OF 2**

**NOTES:**

- A. MATERIAL AND FINISH:
  - HOUSING: DIE CAST ZINC, ZINC PLATE CHROMATE DIP
  - LIGHTPIPE: POLYCARBONATE, UL V-0 RATED
  - THIS ASSEMBLY IS RoHS COMPLIANT
- B. BRACKET MEETS SOUTHCO COSMETIC SPECIFICATION
  - S-121-02 CLASS C (HOUSING)
  - S-121-04 CLASS A (LIGHT PIPE)
- C. ALL PANEL PREPARATION TOLERANCES TO BE  $\pm 0.1$ .
- D. ROUND LENS TYPE DESIGNED TO FIT THROUGH HOLES IN FACEPLATE. FLUSH LENS TYPE DESIGNED TO FIT FLUSH TO REAR OF FACEPLATE.



**FACEPLATE PREPARATION**



REV	DATE	DRAWN/CHKD	DESCRIPTION	PART NUMBER	MODULE SIZE	LENS TYPE	DIM. A	DIM. B	DIM. C
A	09JAN2007	TMS/	ADDED FLUSH ASSEMBLY PART NUMBERS	P7-L-811	COMPACT	ROUND	2.1	12.50	13.88
				P7-L-812	MID SIZE	ROUND	2.1	17.55	18.96
B	11MAR2007	TMS/MJS	PRN: P2007-0501	P7-L-813	FULL SIZE	ROUND	2.1	27.55	28.95
				P7-L-811-11	COMPACT	FLUSH	0.3	12.50	13.88
				P7-L-812-11	MID SIZE	FLUSH	0.3	17.55	18.96
				P7-L-813-11	FULL SIZE	FLUSH	0.3	27.55	28.95

**MILLIMETERS**

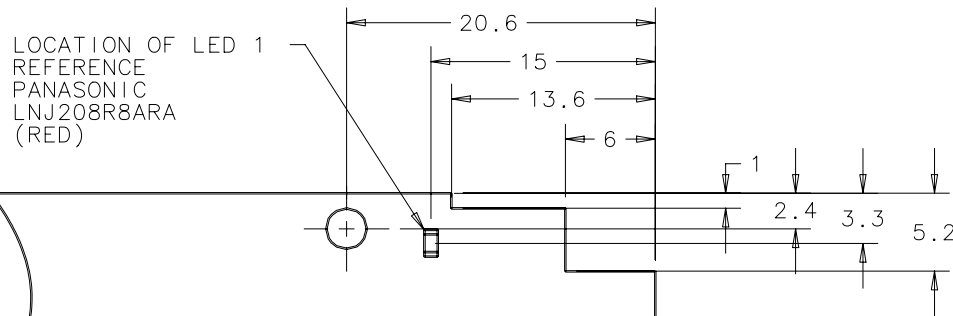
ALL DIMENSIONS WITHOUT TOLERANCES ARE FOR REFERENCE ONLY.



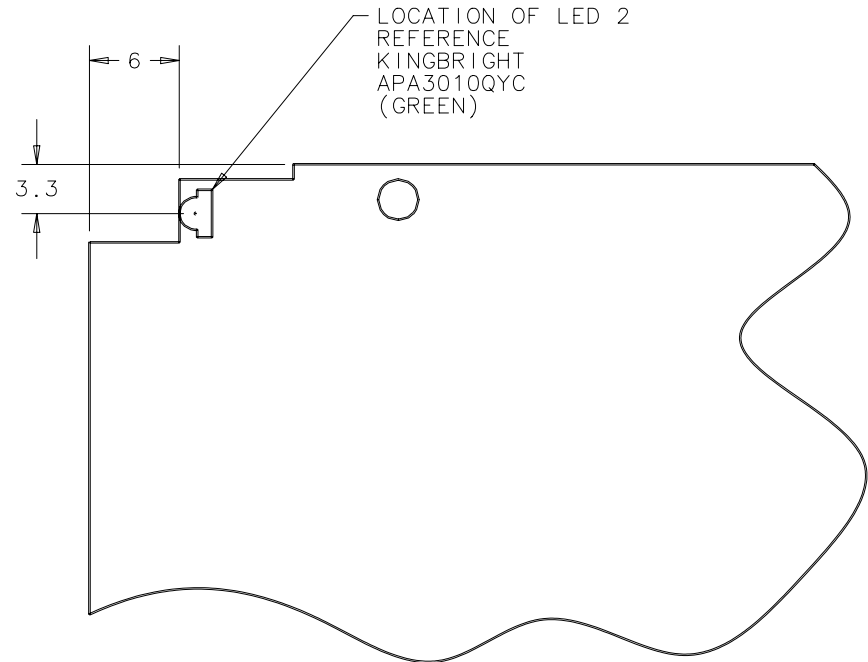
**SHEET 2 OF 2**

## PRINTED CIRCUIT BOARD

ALL PANEL PREPARATION TOLERANCES TO BE ±0.1



COMPONENT SIDE 1  
SCALE 2:1



COMPONENT SIDE 2  
SCALE 2:1