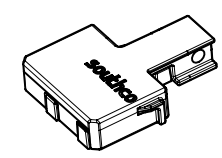
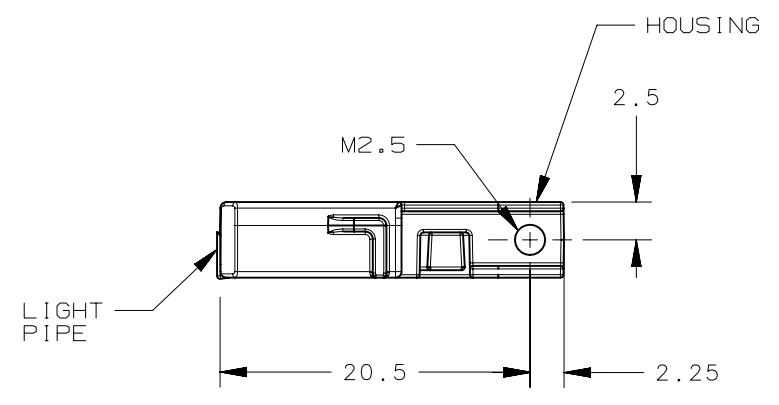
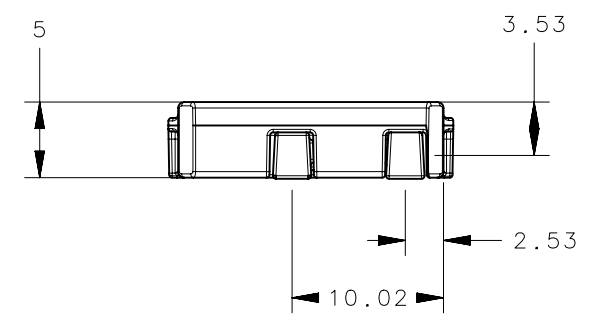
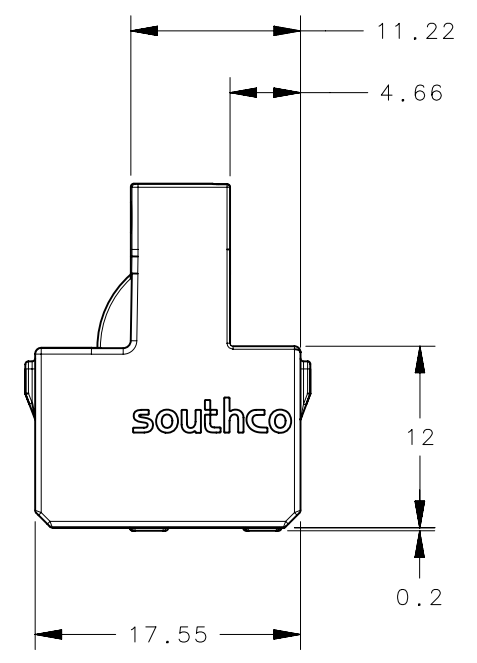


REVISION HISTORY			
REV	DATE	BY	DESCRIPTION
A	19SEP2012	CMS/RES	PRN: P2012-1234



FLUSH LIGHT PIPE STYLE
SCALE 1:1

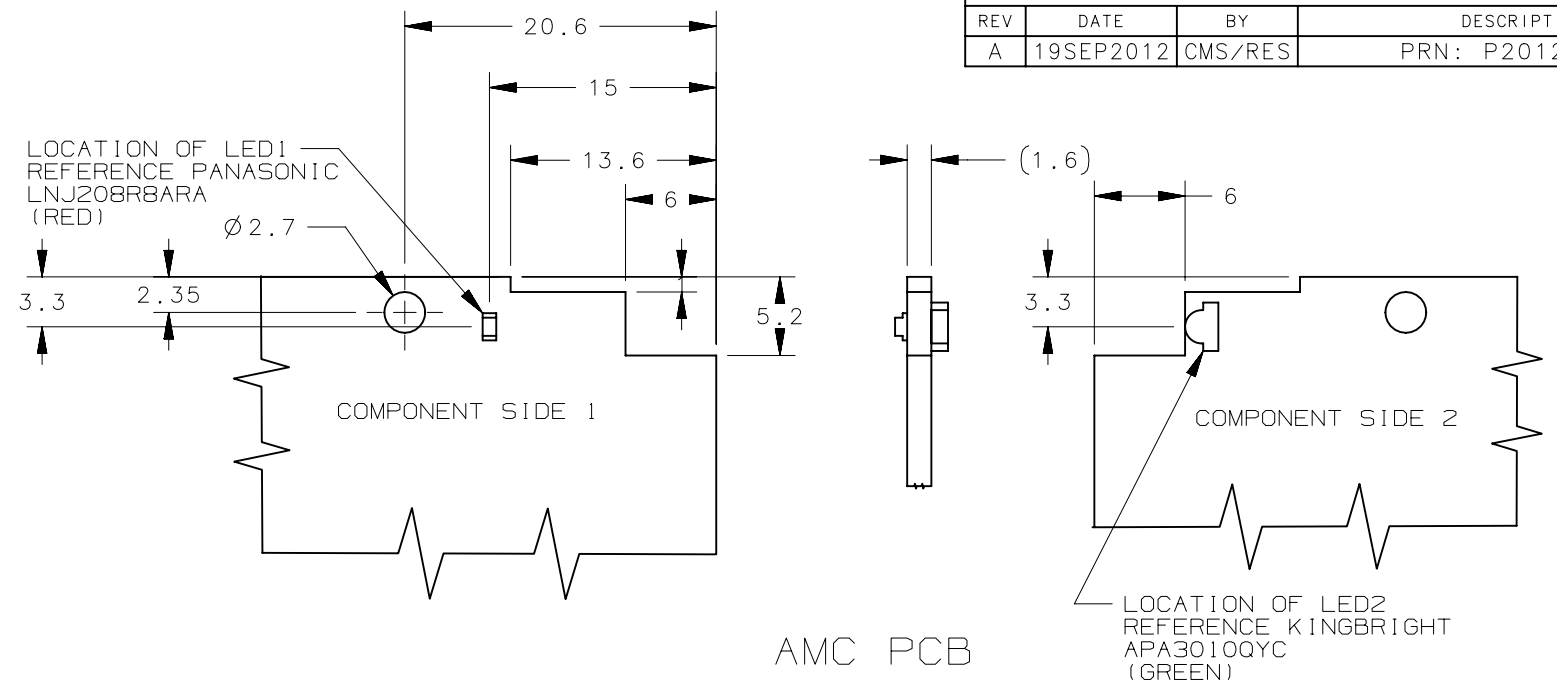


NOTES:

- A. MATERIAL AND FINISH:
HOUSING - DIE CAST ZINC, CLEAR CHROMATE
LIGHT PIPE - POLYCARBONATE, CLEAR, UL94-V0
- B. THIS ASSEMBLY IS RoHS COMPLIANT
- C. HOUSING TO MEET CLASS C REQUIREMENTS;
LIGHT PIPE TO MEET CLASS A REQUIREMENTS OF
SOUTHCO COSMETIC SPECIFICATION S-121
- D. MEETS REQUIREMENTS OF PICMG AMC.0 R2.0
SPECIFICATION

P7-L-812-11		LIGHT PIPE ASSEMBLY		FLUSH	
PART NUMBER		TYPE OF COMPONENT		LIGHT PIPE STYLE	
THIRD ANGLE PROJECTION		 CONNECT • CREATE • INNOVATE			
MILLIMETERS [IN]					
TOLERANCES UNLESS OTHERWISE NOTED		DESCRIPTION			
SURFACE AREA XXXXXmm ²		Inject/Eject Mechanism			
VOLUME XXXXXmm ³		AMC MIDSIZE MODULE LIGHT PIPE ASSEMBLY			
PROPRIETARY ITEM <small>EXCEPT FOR USES EXPRESSLY GRANTED IN WRITING, INFORMATION DISCLOSED HEREON IS CONFIDENTIAL AND ALL RIGHTS, PATENT AND OTHERWISE, ARE RESERVED BY SOUTHCO, INC.</small>		ALL DIMENSIONS WITHOUT TOLERANCES ARE FOR REFERENCE ONLY.		SIZE A3	SYSTEM NX
PER ASME Y14.5M-1994		DRAWN BY RES		DATE 19SEP2012	DWG NO. J-P7-L-812-11
		SCALE 2:1		SHEET 1 OF 2	

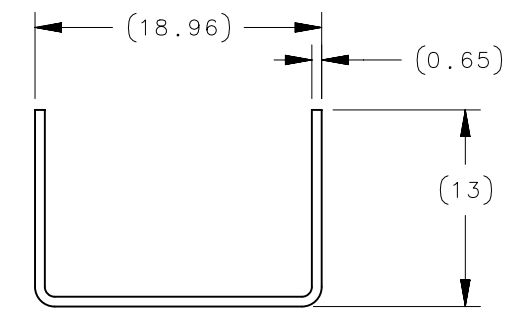
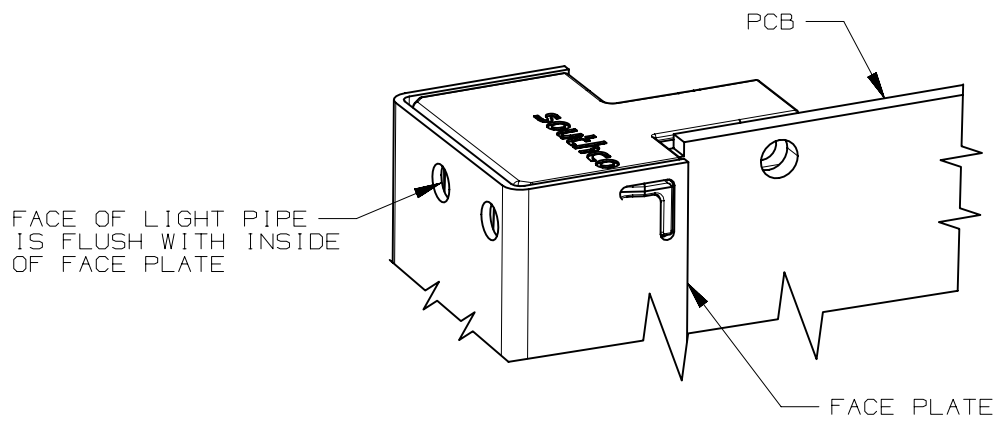
REVISION HISTORY			
REV	DATE	BY	DESCRIPTION
A	19SEP2012	CMS/RES	PRN: P2012-1234



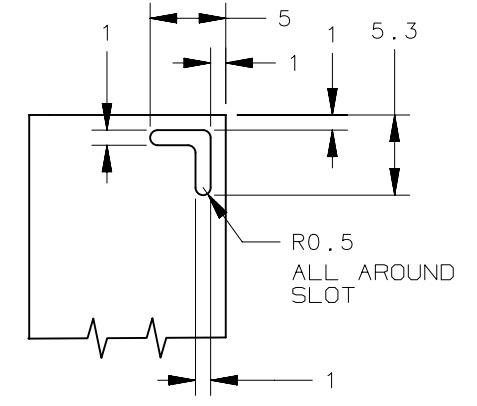
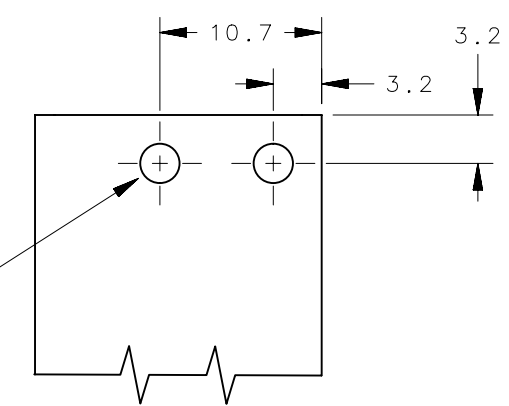
ALL PANEL PREPARATION TOLERANCES TO BE ±0.1

INSTALLATION:

1. SNAP HOUSING INTO FACE PLATE
2. ATTACH PCB USING M2.5 SCREW (NOT SUPPLIED)



HOLE SHAPE AND SIZE AT CUSTOMER'S DISCRETION



FACE PLATE

THIRD ANGLE PROJECTION		 CONNECT • CREATE • INNOVATE	
MILLIMETERS [IN]			
TOLERANCES UNLESS OTHERWISE NOTED		DESCRIPTION	
SURFACE AREA XXXXXmm ²		Inject/Eject Mechanism	
VOLUME XXXXXmm ³		AMC MIDSIZE MODULE LIGHT PIPE ASSEMBLY	
PROPRIETARY ITEM		SIZE A3	SYSTEM NX
EXCEPT FOR USES EXPRESSLY GRANTED IN WRITING, INFORMATION DISCLOSED HEREON IS CONFIDENTIAL AND ALL RIGHTS, PATENT AND OTHERWISE, ARE RESERVED BY SOUTHCO, INC.		DWG NO. J-P7-L-812-11	
PER ASME Y14.5M-1994		DRAWN BY RES	DATE 19SEP2012
		SCALE 2:1	SHEET 2 OF 2