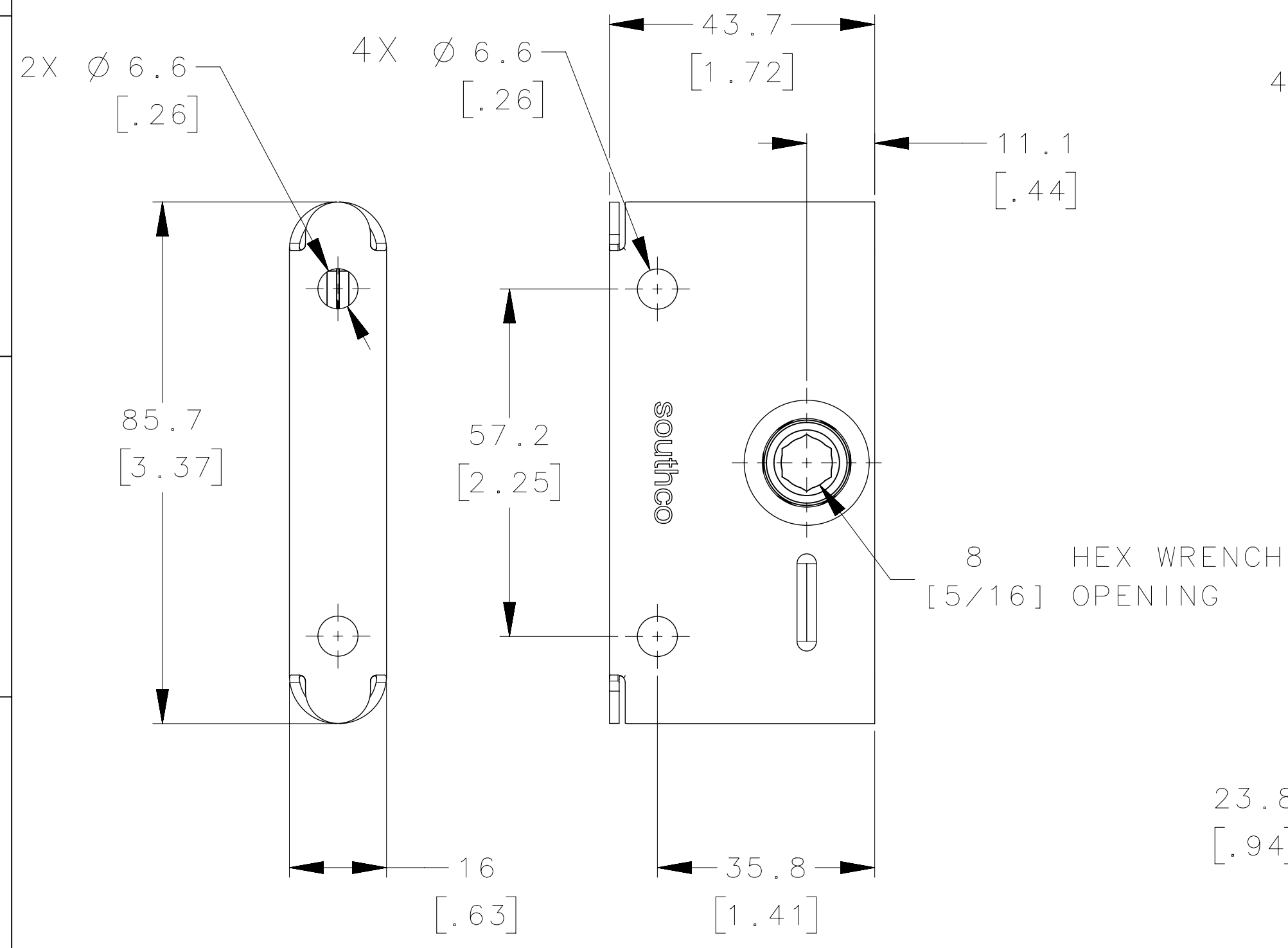
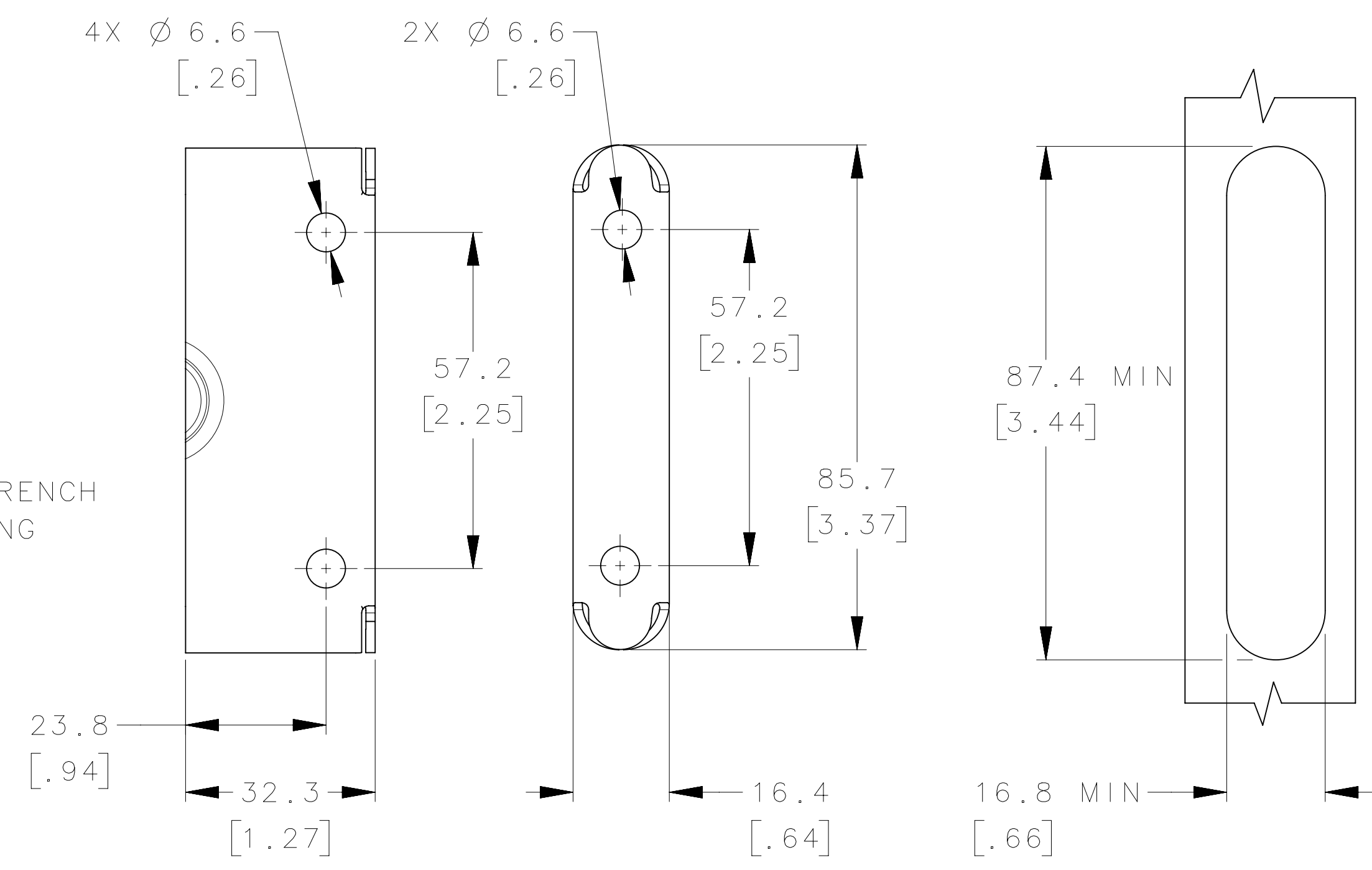


MORTISE MOUNT

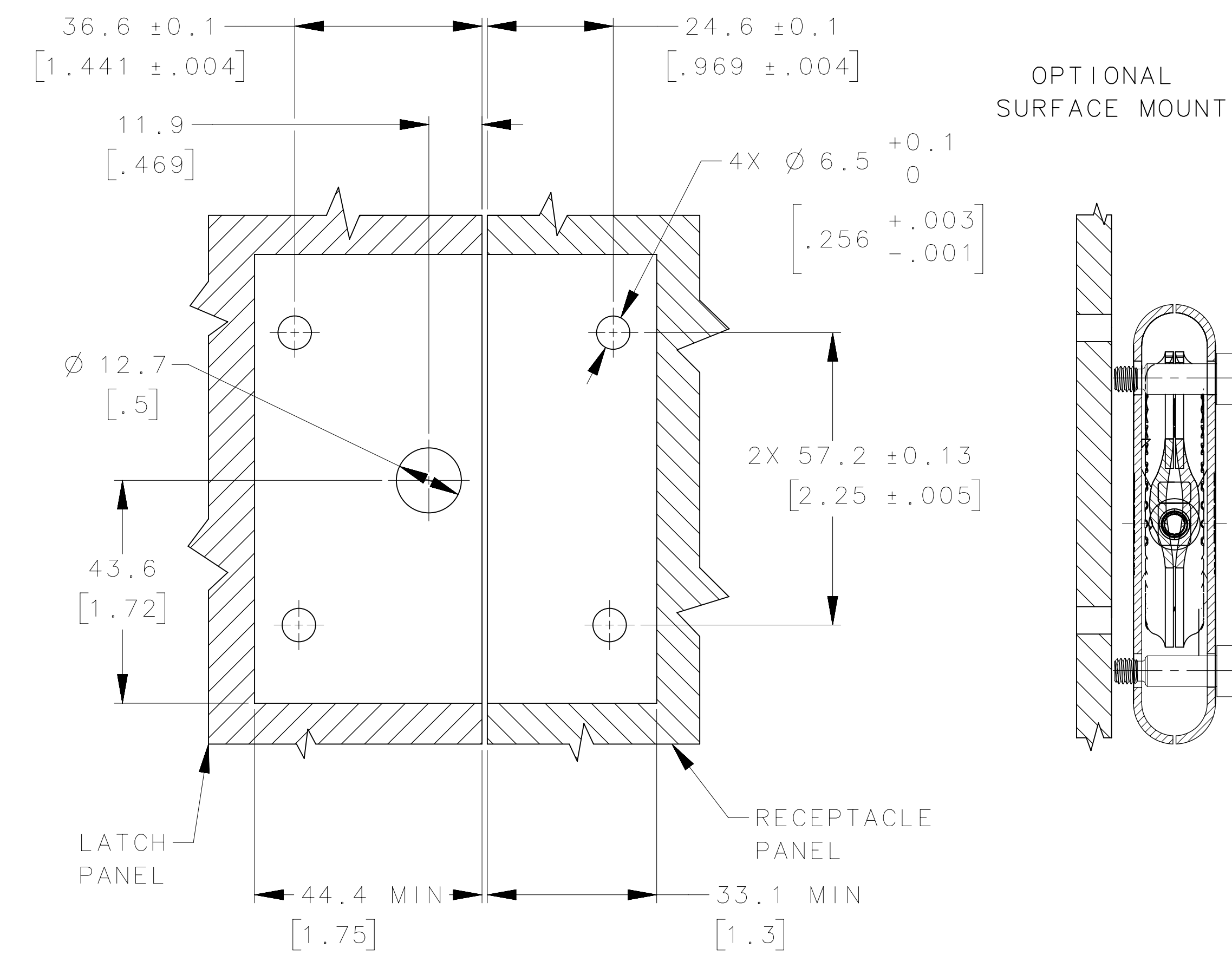
LATCH



RECEPTACLE



PANEL PREPARATION



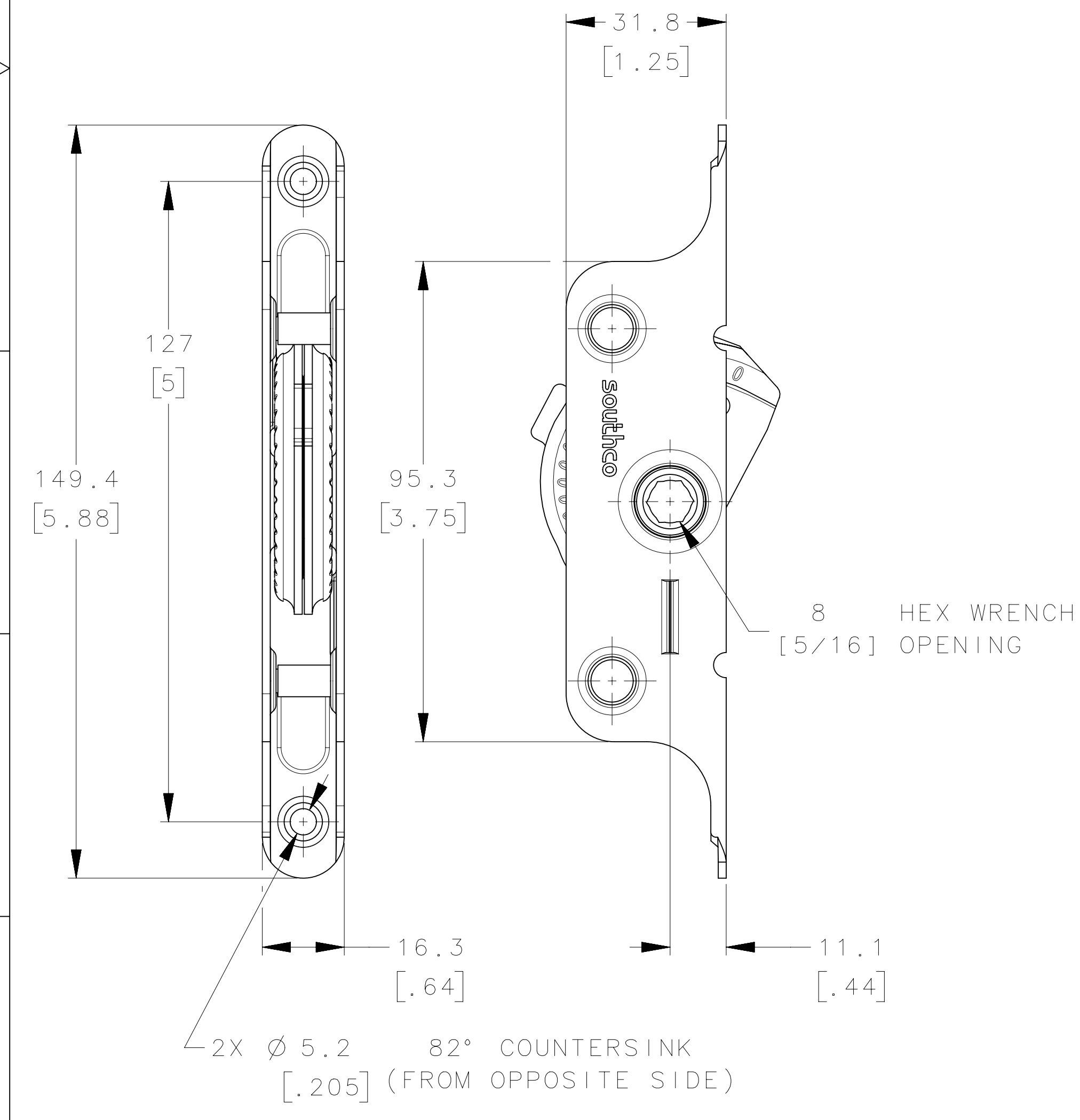
STYLE	LATCH	RECEPTACLE
MORTISE MOUNT	R2-0055-XX	R2-0002-XX
FRONT MOUNT	R2-0267-XX	R2-0268-XX
DEEP TAB	R2-0169-XX	R2-0160-XX
SHALLOW TAB	R2-0259-XX	R2-0257-XX

MATERIAL AND FINISH (-XX)
 -02 STEEL, ZINC PLATED, BRIGHT CHROMATE
 -17 STEEL, GALVANIZED

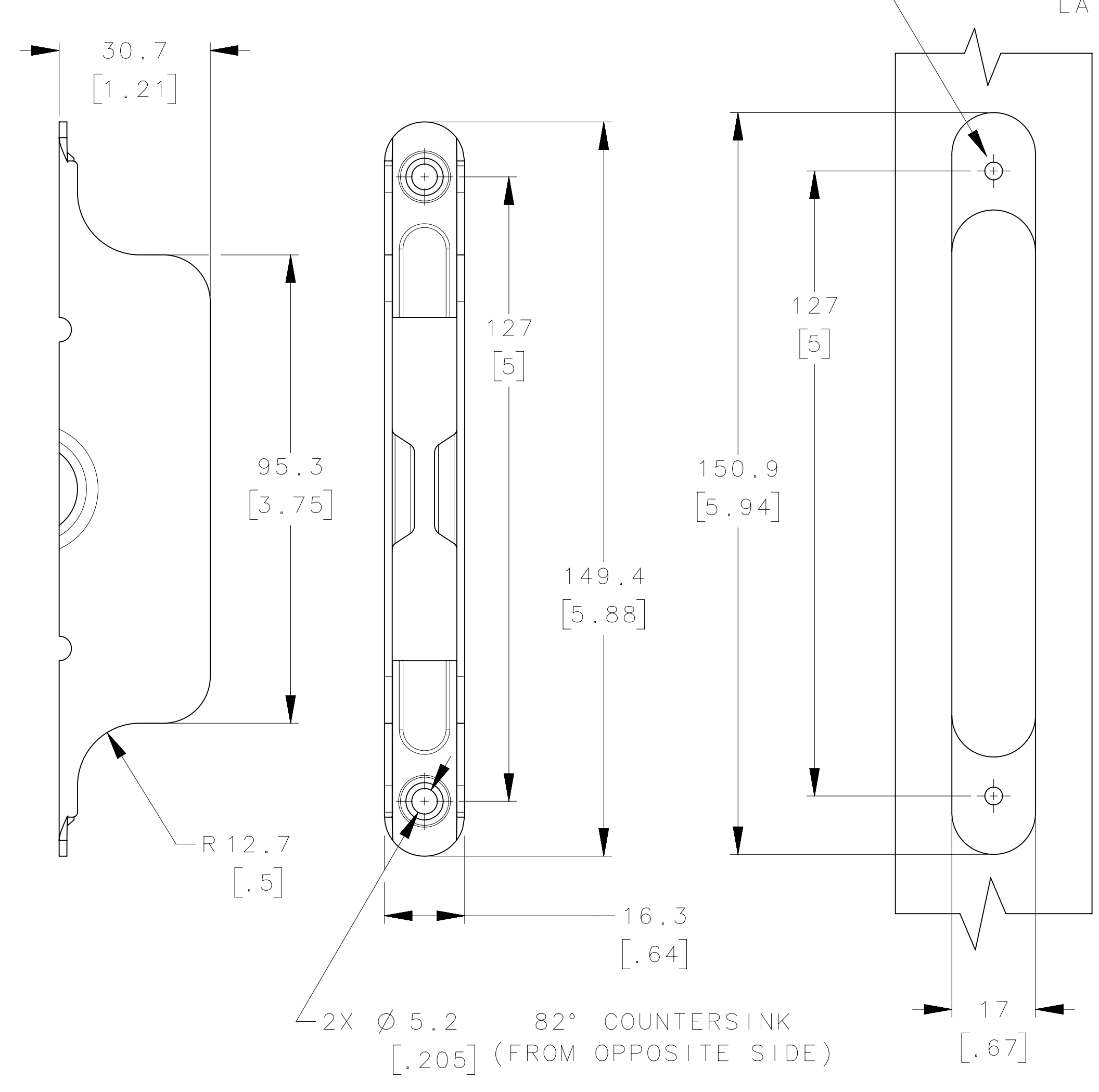
- NOTES:**
- ALL LATCH AND RECEPTACLE STYLES CAN BE INTERCHANGED TO SUIT REQUIRED INSTALLATION.
 - MOUNTING HARDWARE (NOT SUPPLIED):
 A. MORTISE STYLE.....M6 (1/4) SCREWS
 B. FRONT STYLE.....M4 (No.8) FLAT HEAD SCREWS
 C. DEEP TAB STYLE.....M5 (No.10) SCREWS
 D. SHALLOW TAB STYLE...M5 (No.10) SCREWS

FRONT/REAR MOUNT

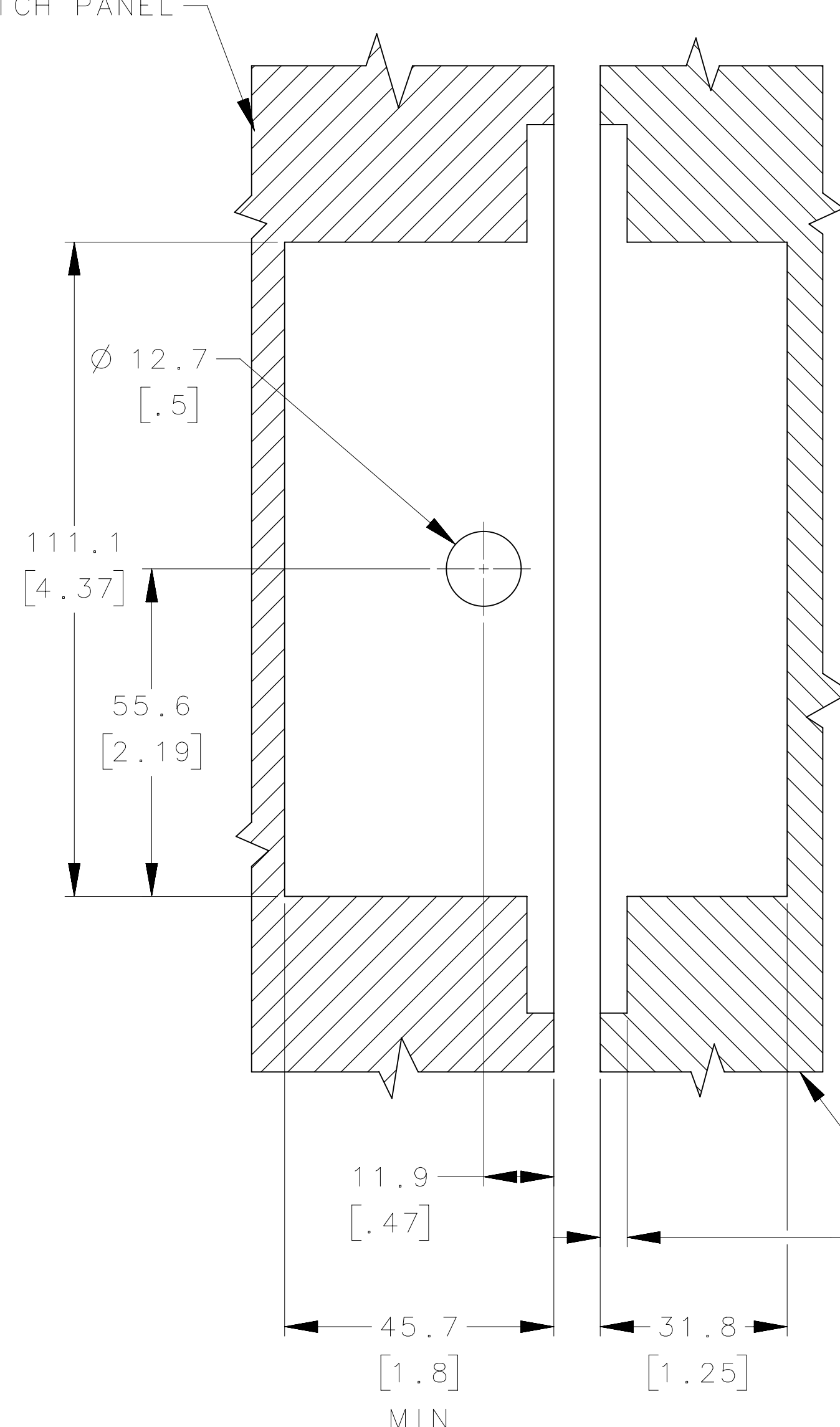
LATCH



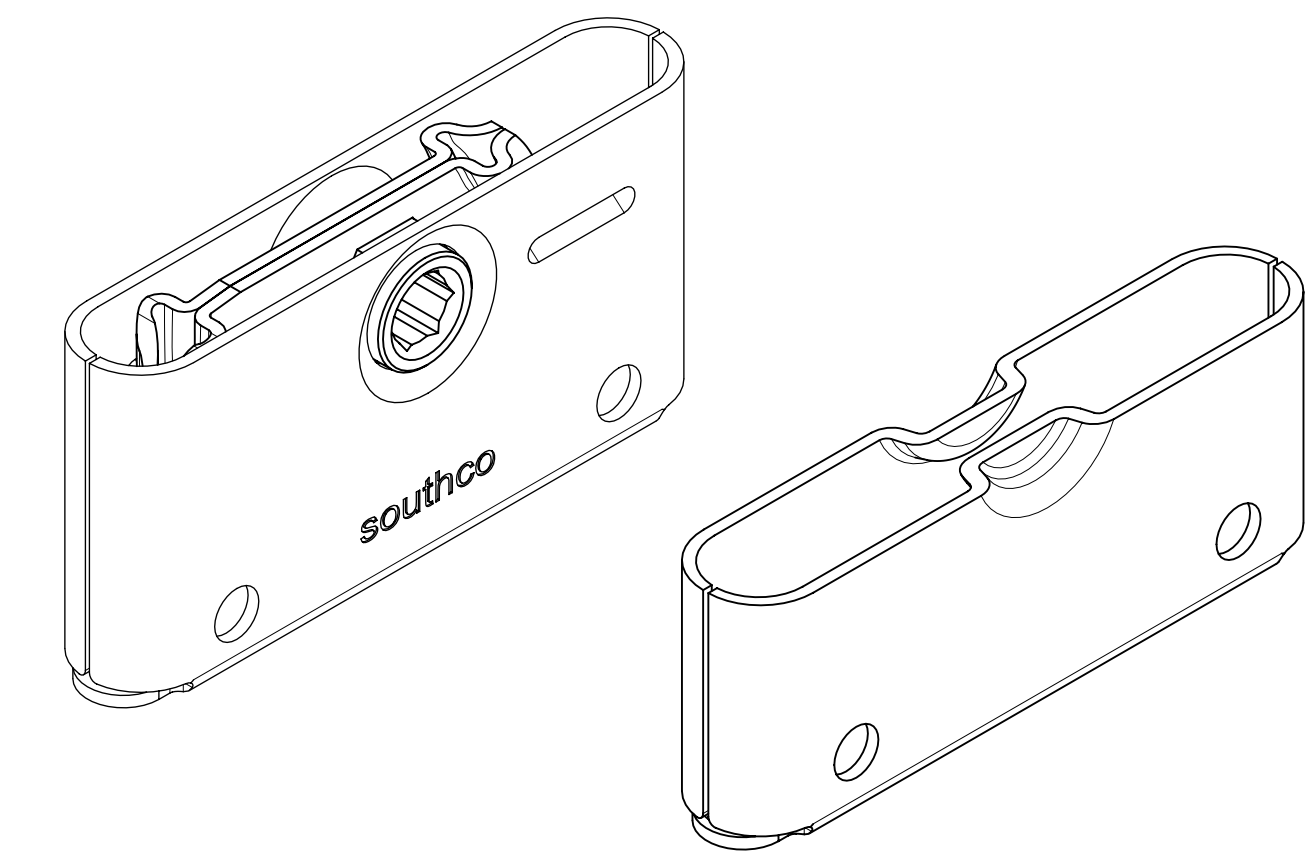
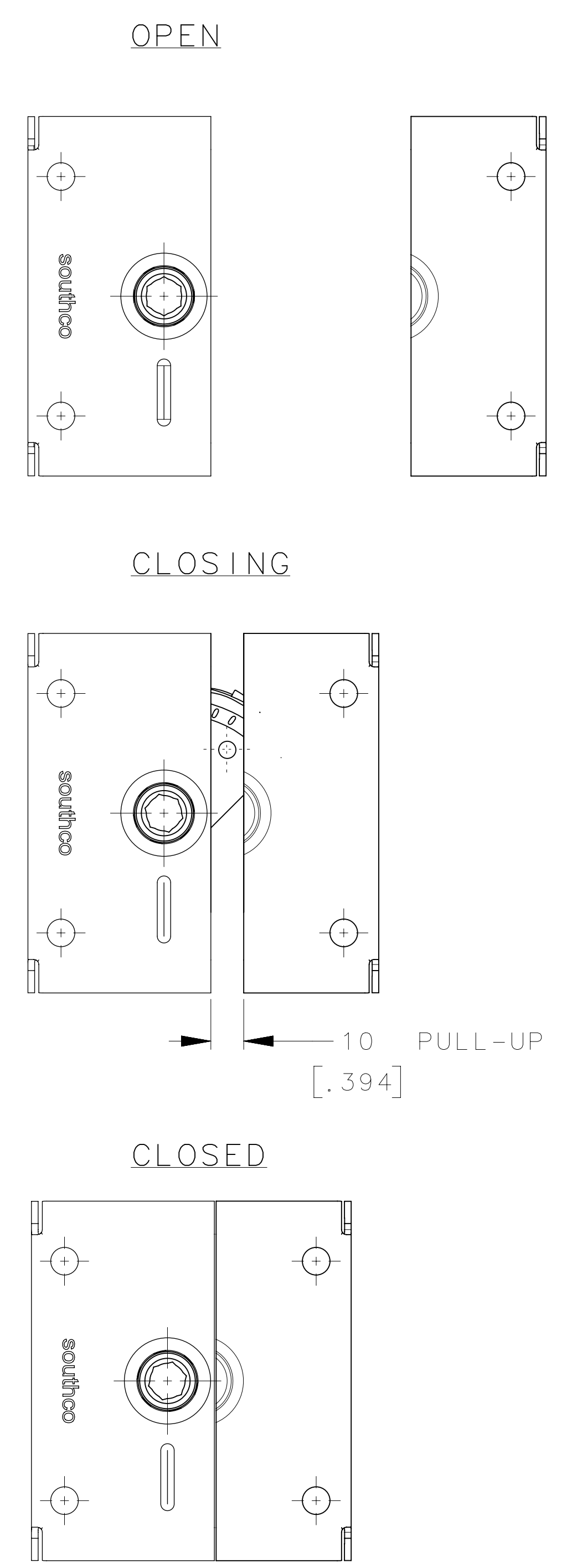
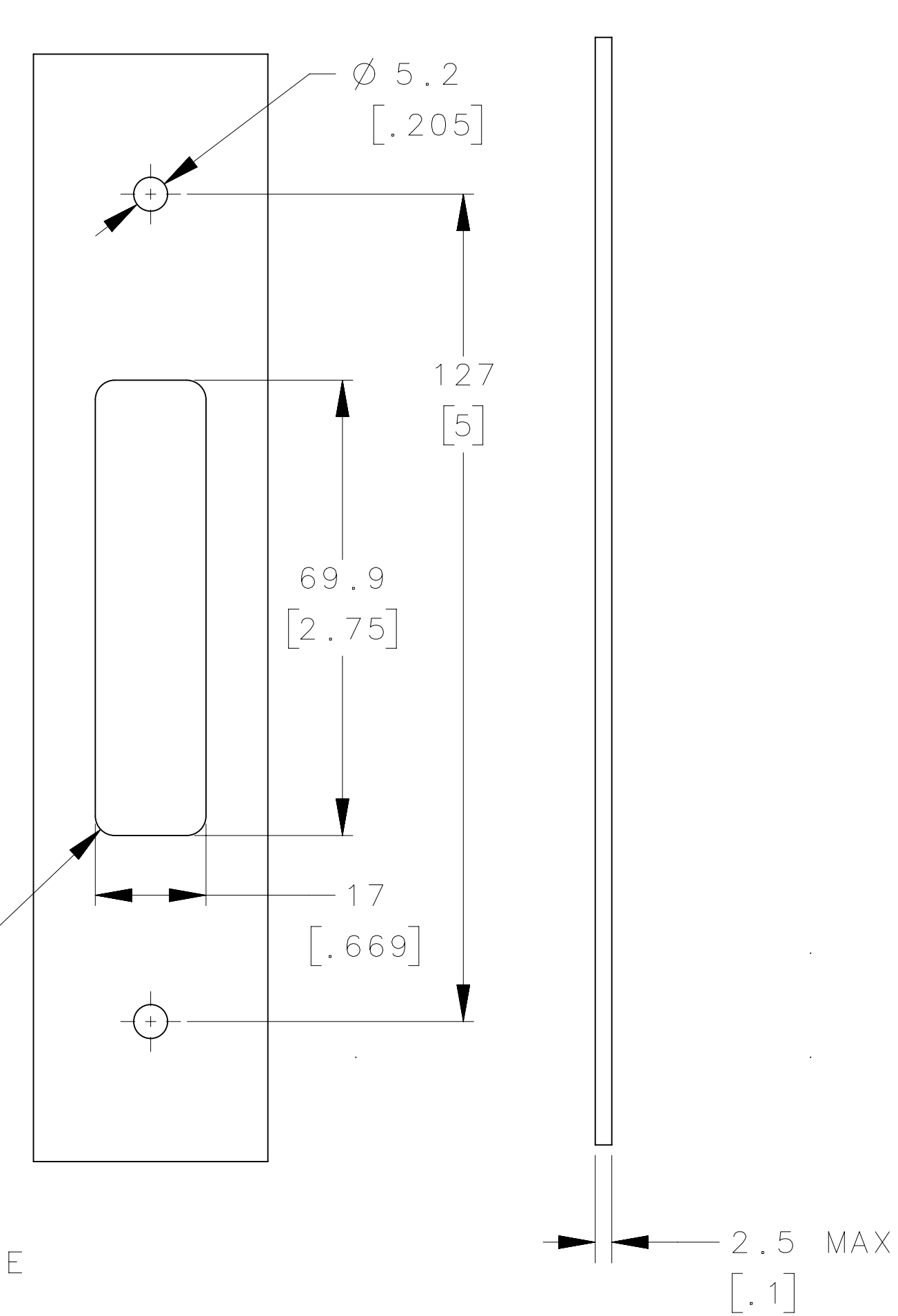
RECEPTACLE



FRONT MOUNT



REAR MOUNT

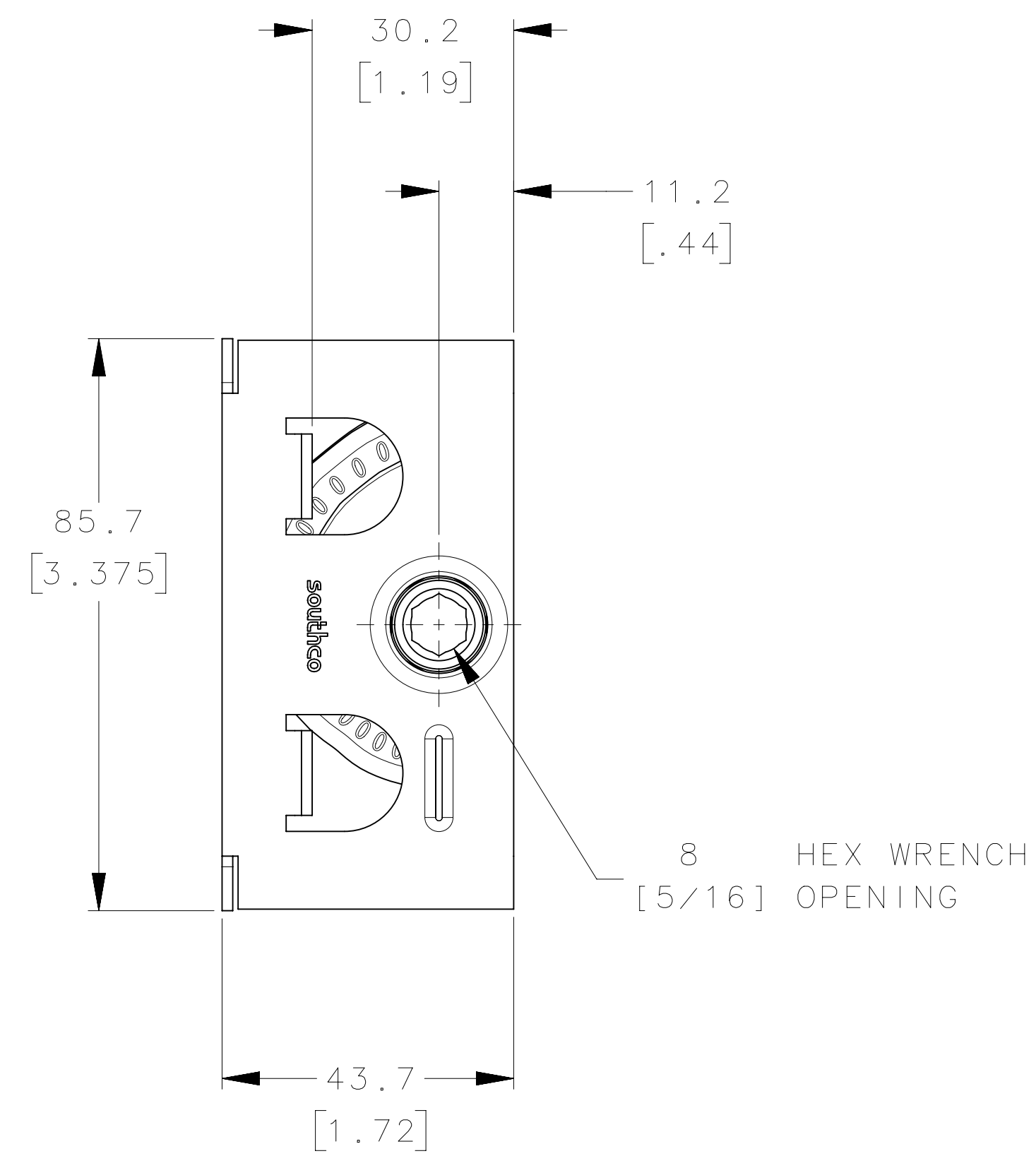
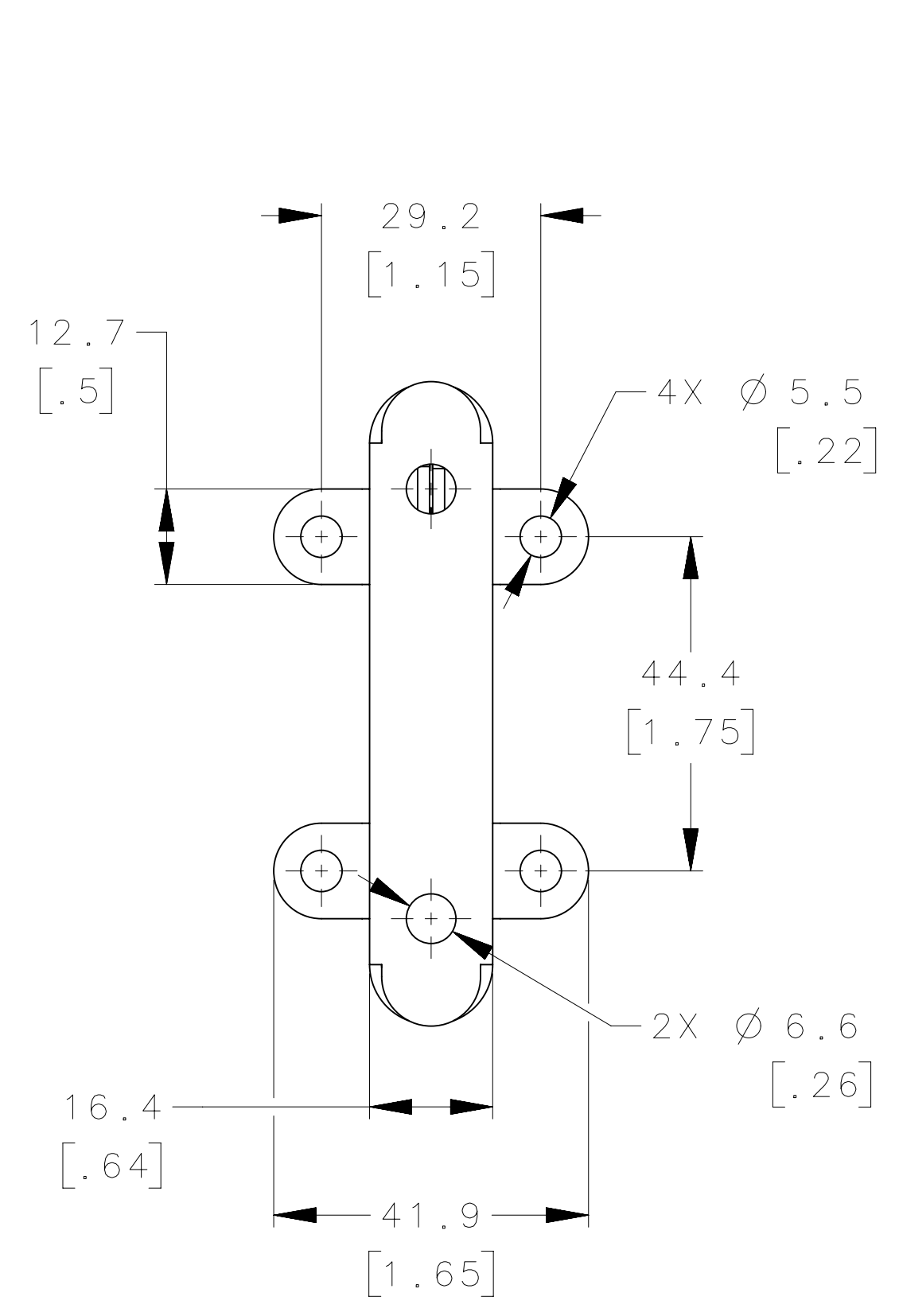


SCALE 1:1

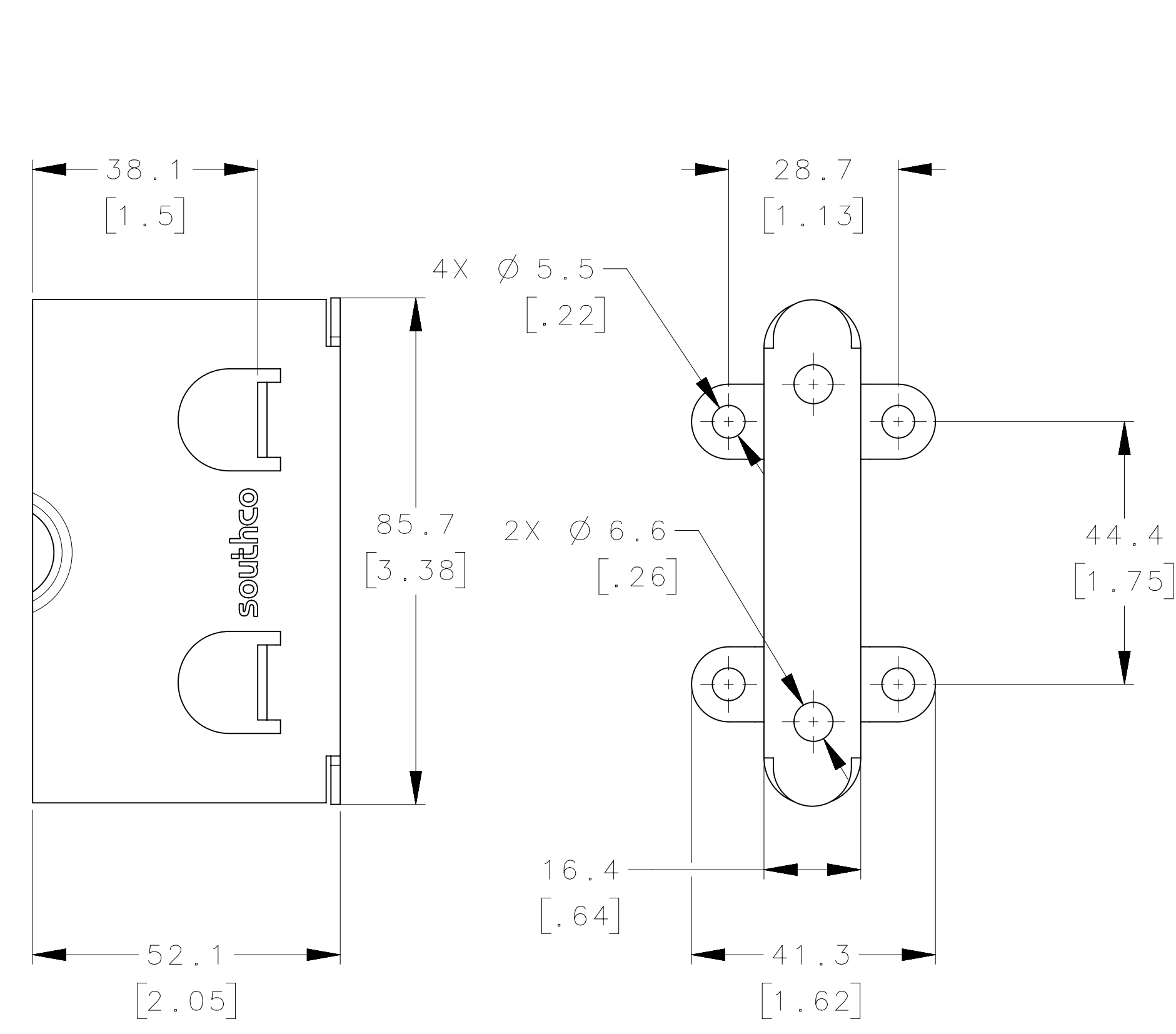
REVISION HISTORY			
REV	DATE	BY	DESCRIPTION
A	30NOV2018	RMO/MJS	PRN: INITIAL RELEASE

DEEP TAB

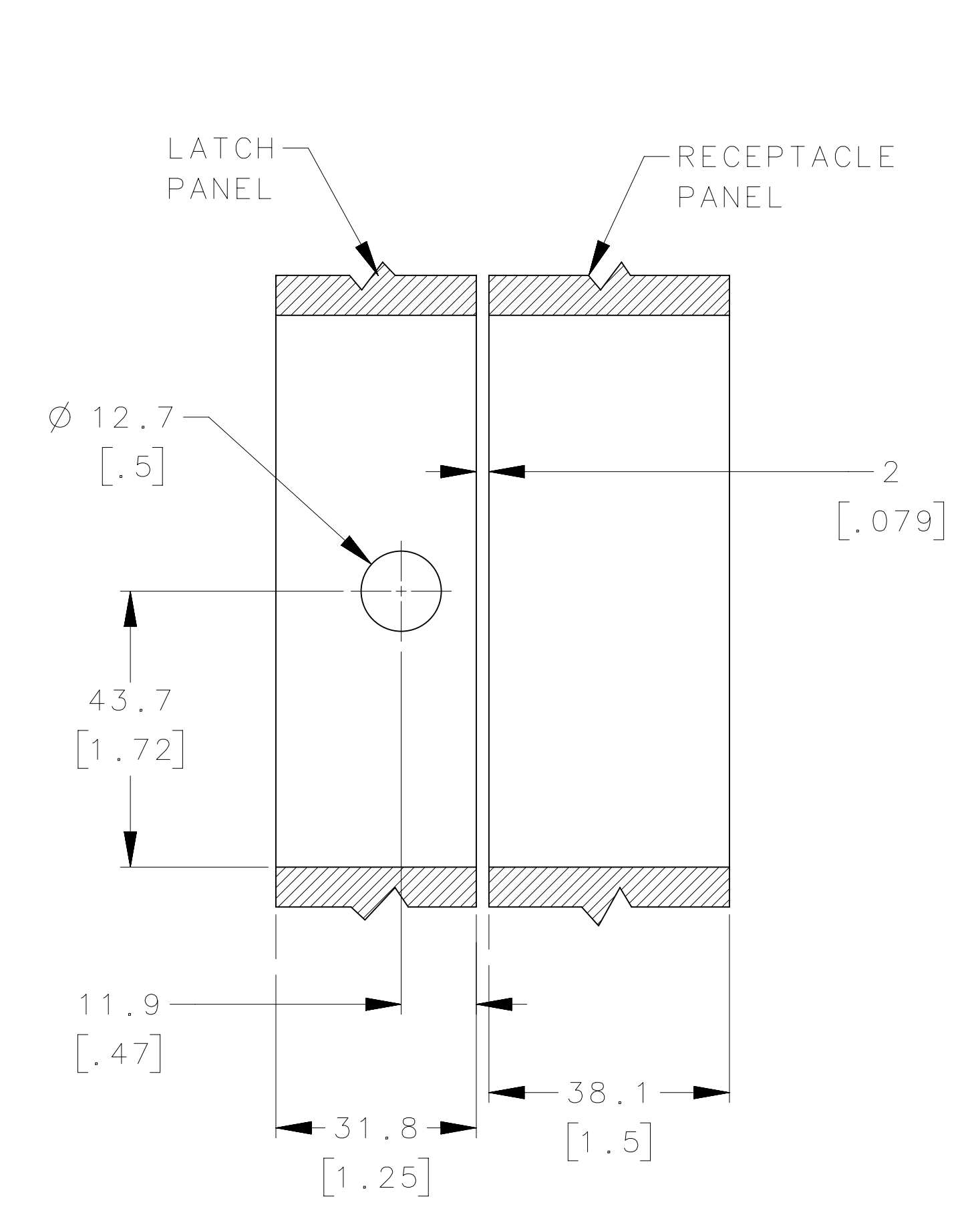
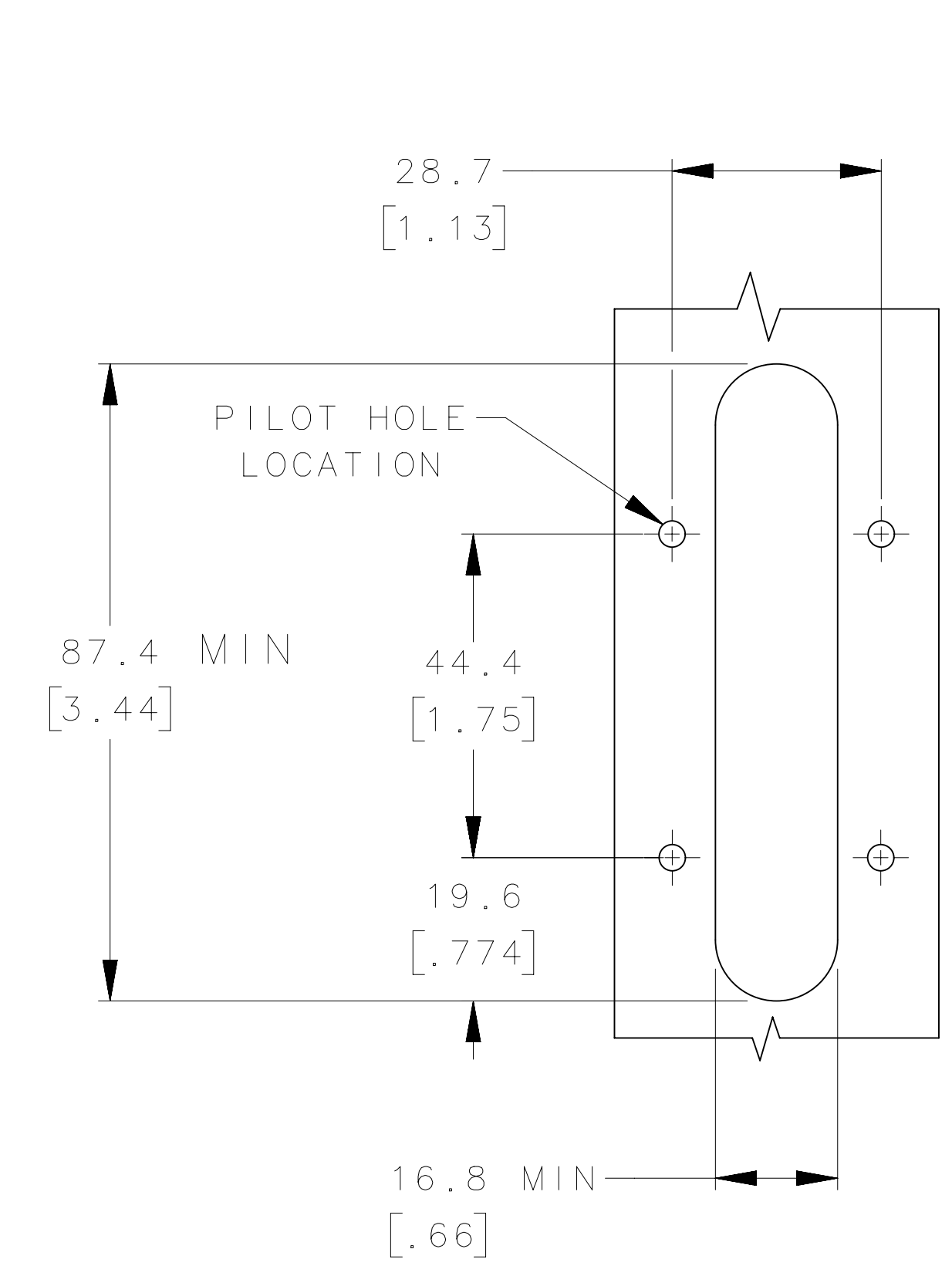
LATCH



RECEPTACLE

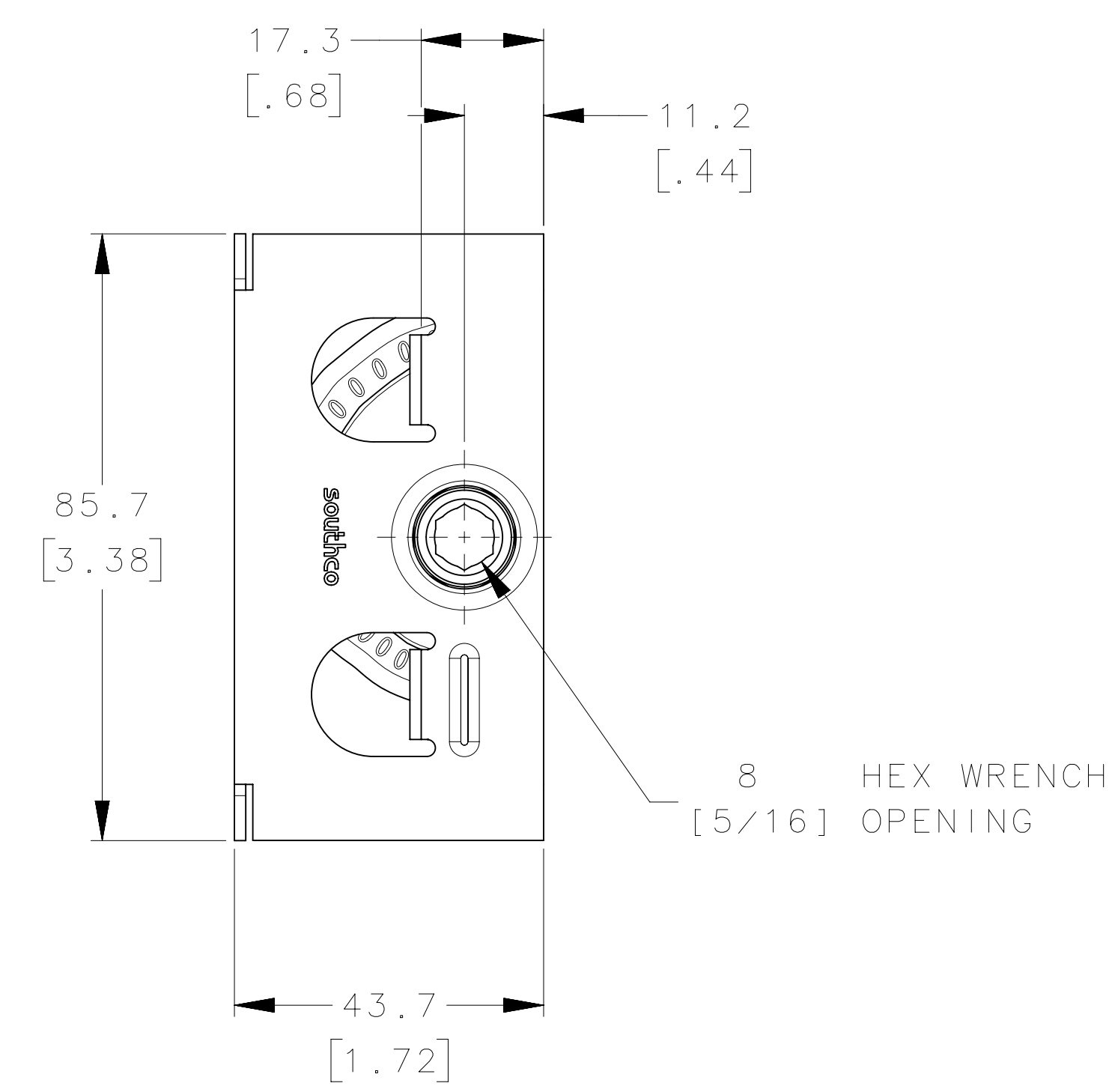
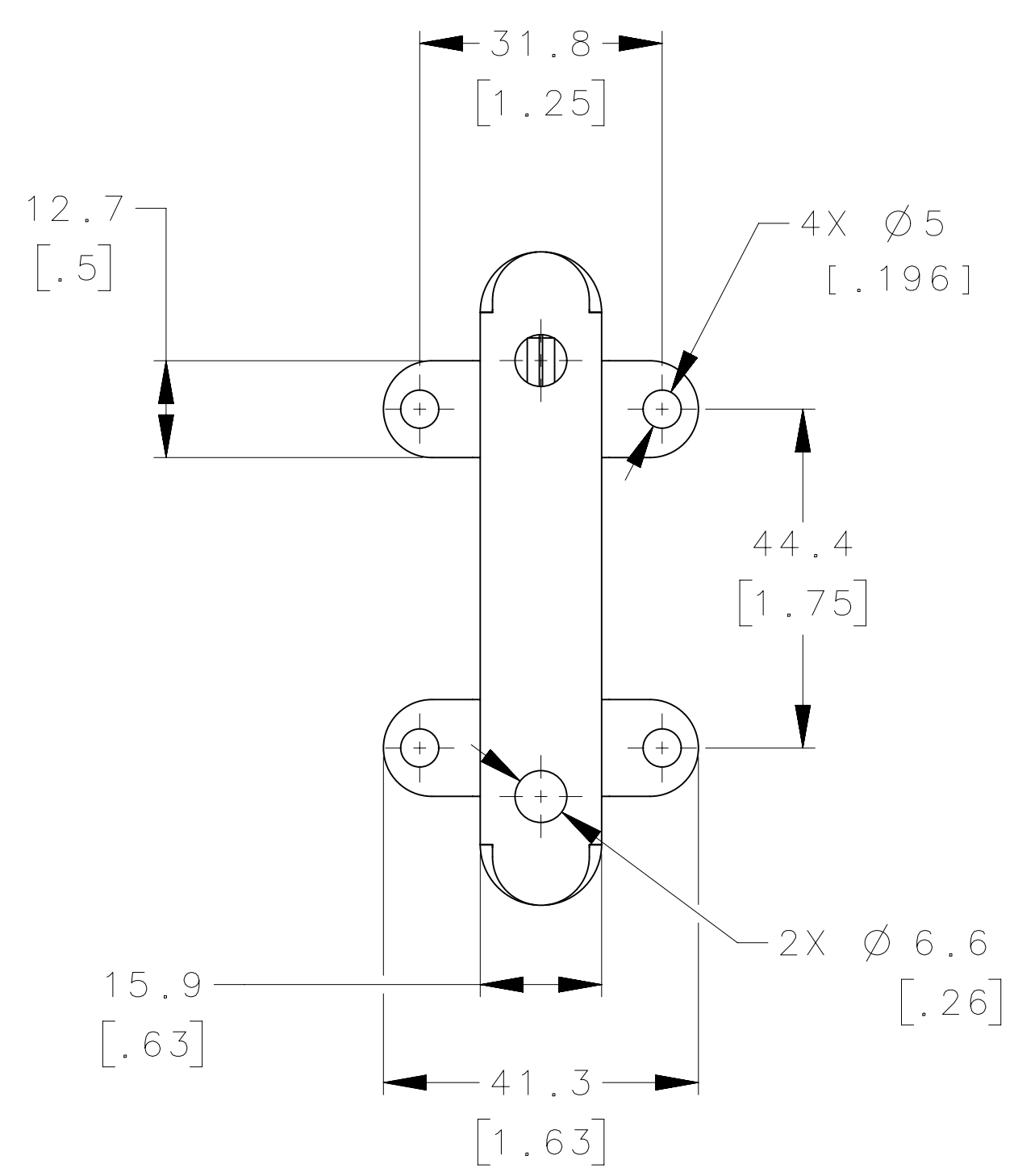


PANEL PREPARATION

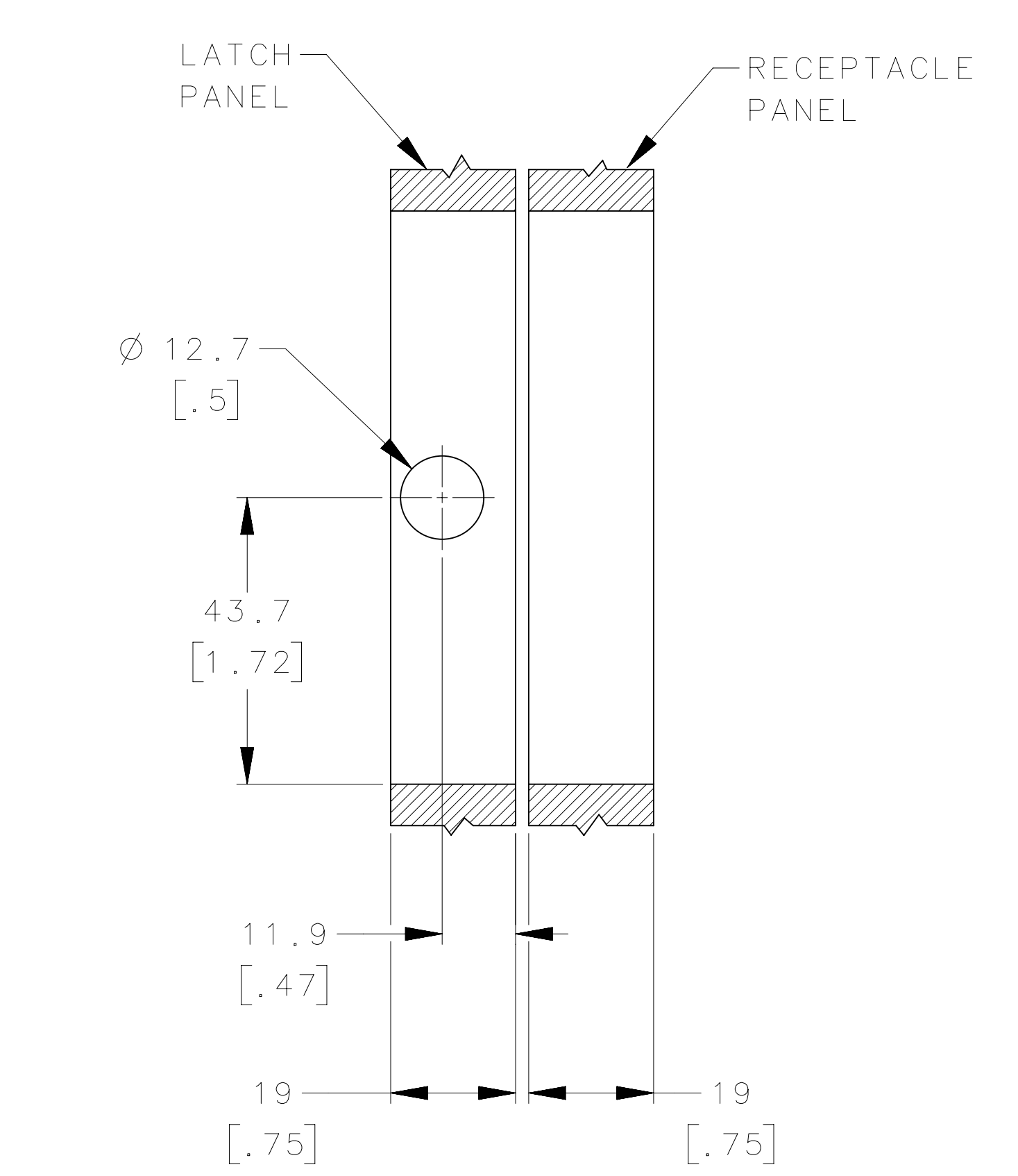
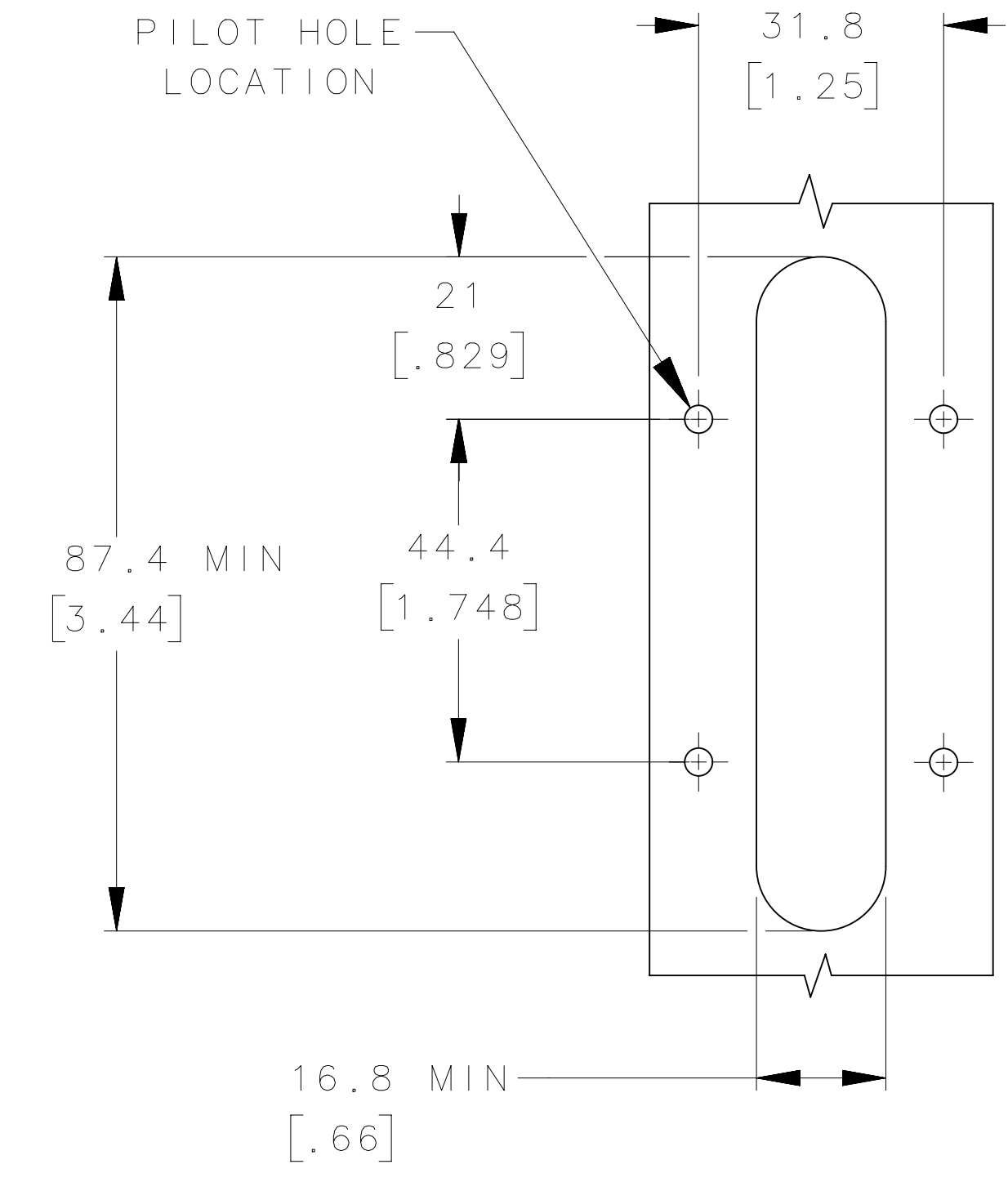
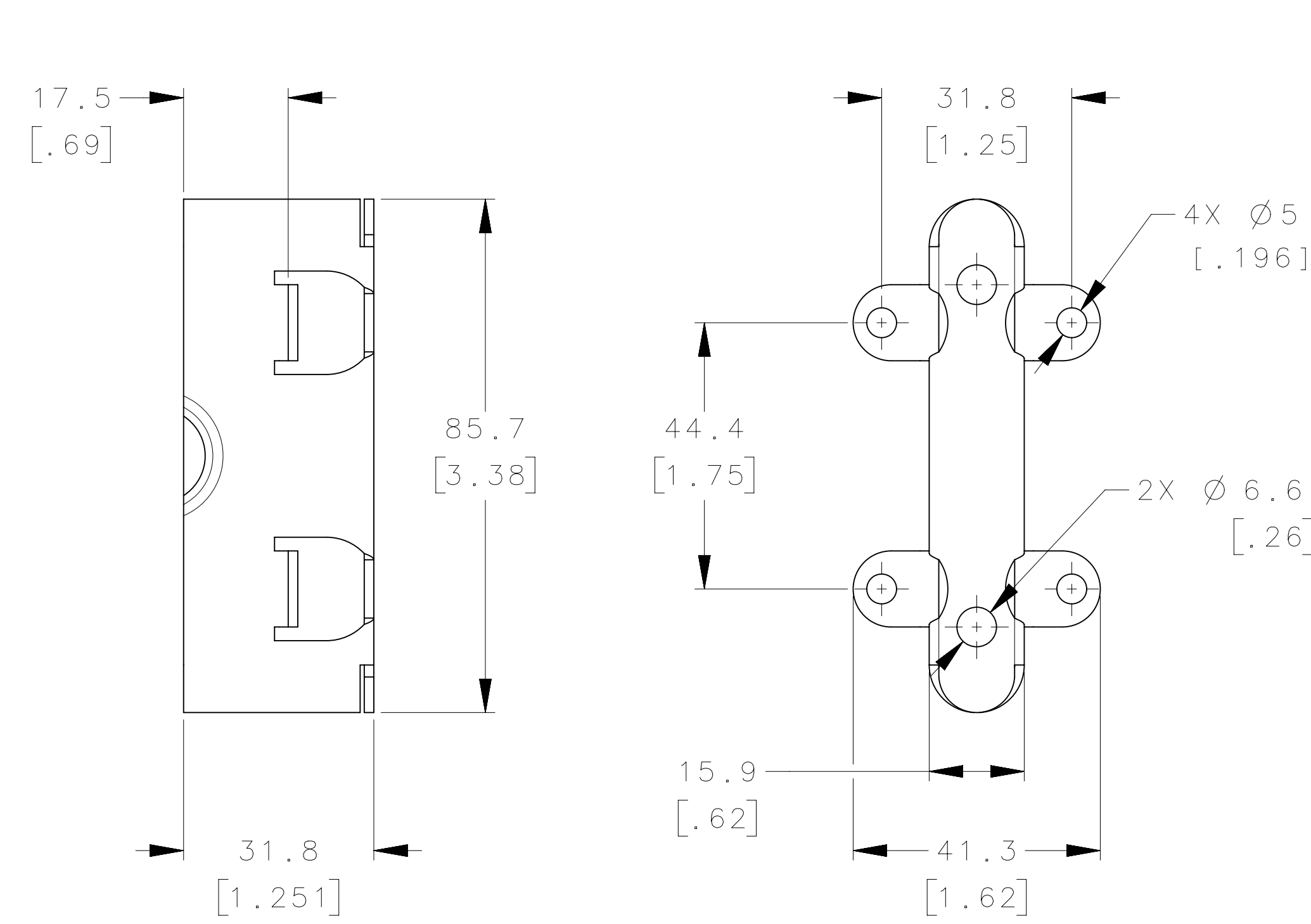


SHALLOW TAB

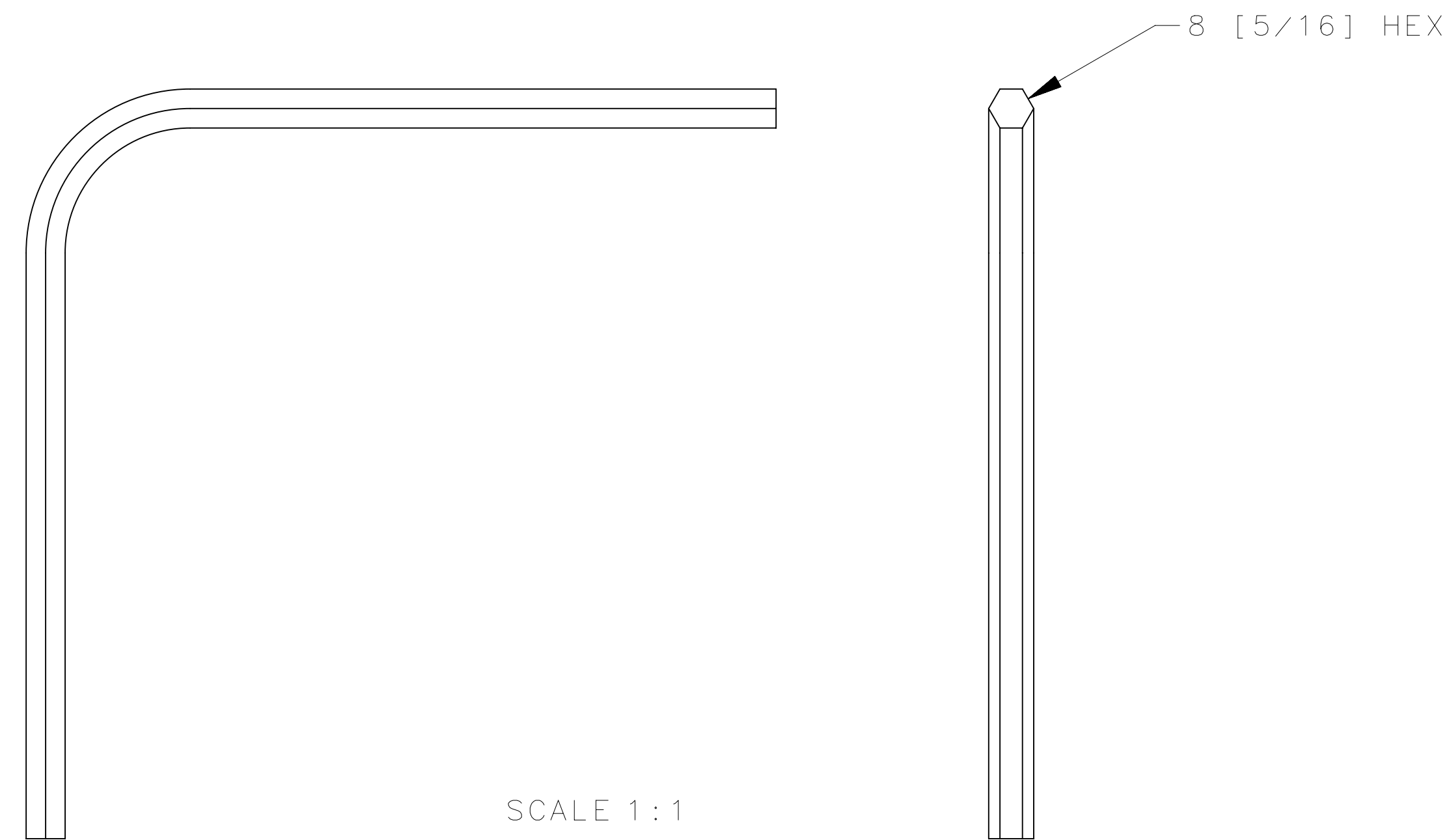
LATCH



RECEPTACLE



OPTIONAL ACTUATION TOOL
PART NUMBER: 29-0059-02



SCALE 1:1

THIRD ANGLE PROJECTION		southco CONNECT • CREATE • INNOVATE	
MILLIMETERS [IN]		R2 CONCEALED DRAW LATCH	
ALL DIMENSIONS WITHOUT TOLERANCES ARE FOR REFERENCE ONLY.		DATE: 20JUN2017	DRAWN BY: RJV/RMO
PER ASME Y14.5M-1994	SCALE: 5:4	REV: J-R2-1	SHEET: 2 OF 2