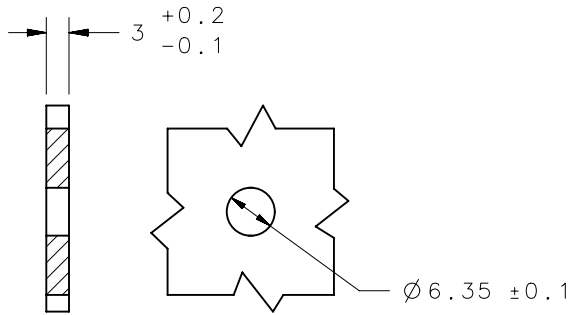
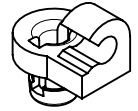
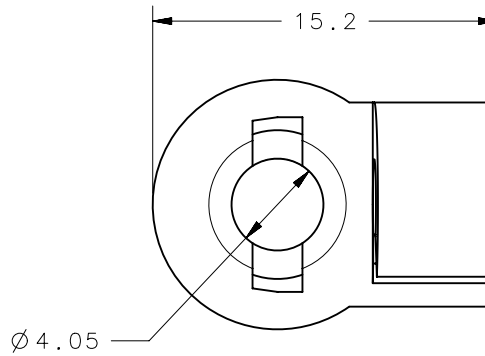


REVISION HISTORY			
REV	DATE	BY	DESCRIPTION
A	19DEC2016	JEM/CMS	PRN: P2016-2798

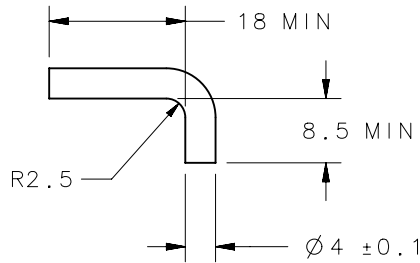


RECOMMENDED PANEL PREPARATION DIMENSIONS

SCALE 1:1

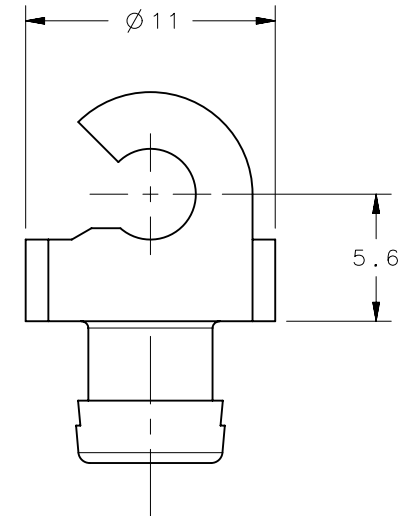
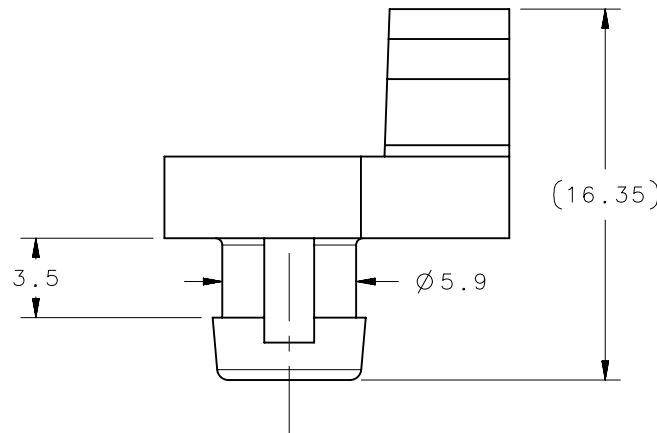


SCALE 1:1



RECOMMENDED 'L' FITTING DIMENSIONS FOR ROD OR CABLE ACTUATED APPLICATIONS

SCALE 1:1



R4-0-60784	RETAINER	ACETAL	BEIGE
PART NUMBER	TYPE OF COMPONENT	MATERIAL	FINISH

	THIRD ANGLE PROJECTION
	MILLIMETERS [IN]
	TOLERANCES UNLESS OTHERWISE NOTED
SURFACE AREA	818.92mm <sup>2</sup>
VOLUME	647.51mm <sup>3</sup>
PROPRIETARY ITEM	
EXCEPT FOR USES EXPRESSLY GRANTED IN WRITING, INFORMATION DISCLOSED HEREON IS CONFIDENTIAL AND ALL RIGHTS, PATENT AND OTHERWISE, ARE RESERVED BY SOUTHCO, INC.	
	ALL DIMENSIONS WITHOUT TOLERANCES ARE FOR REFERENCE ONLY.
	PER ASME Y14.5M-1994

<b>southco</b> <sup>®</sup>			
CONNECT • CREATE • INNOVATE			
DESCRIPTION LINK RETAINER			
SIZE A4	SYSTEM NX	DWG NO. J-R4-0-60784	
DRAWN BY JEM	DATE 19DEC2016	SCALE 3:1	SHEET 1 OF 1