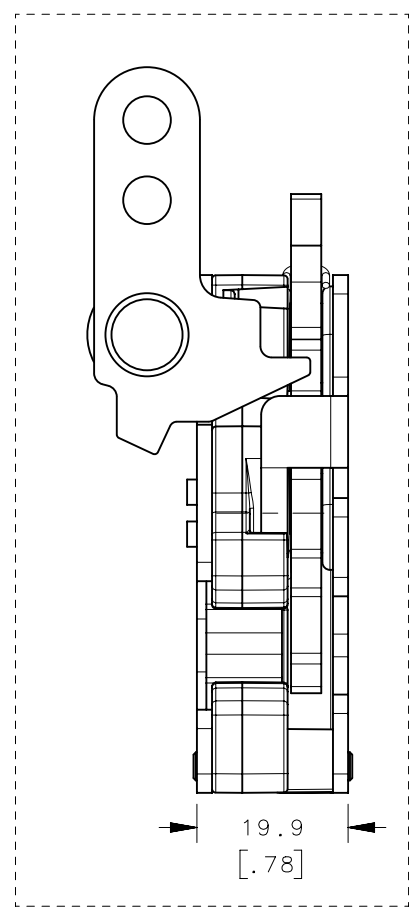
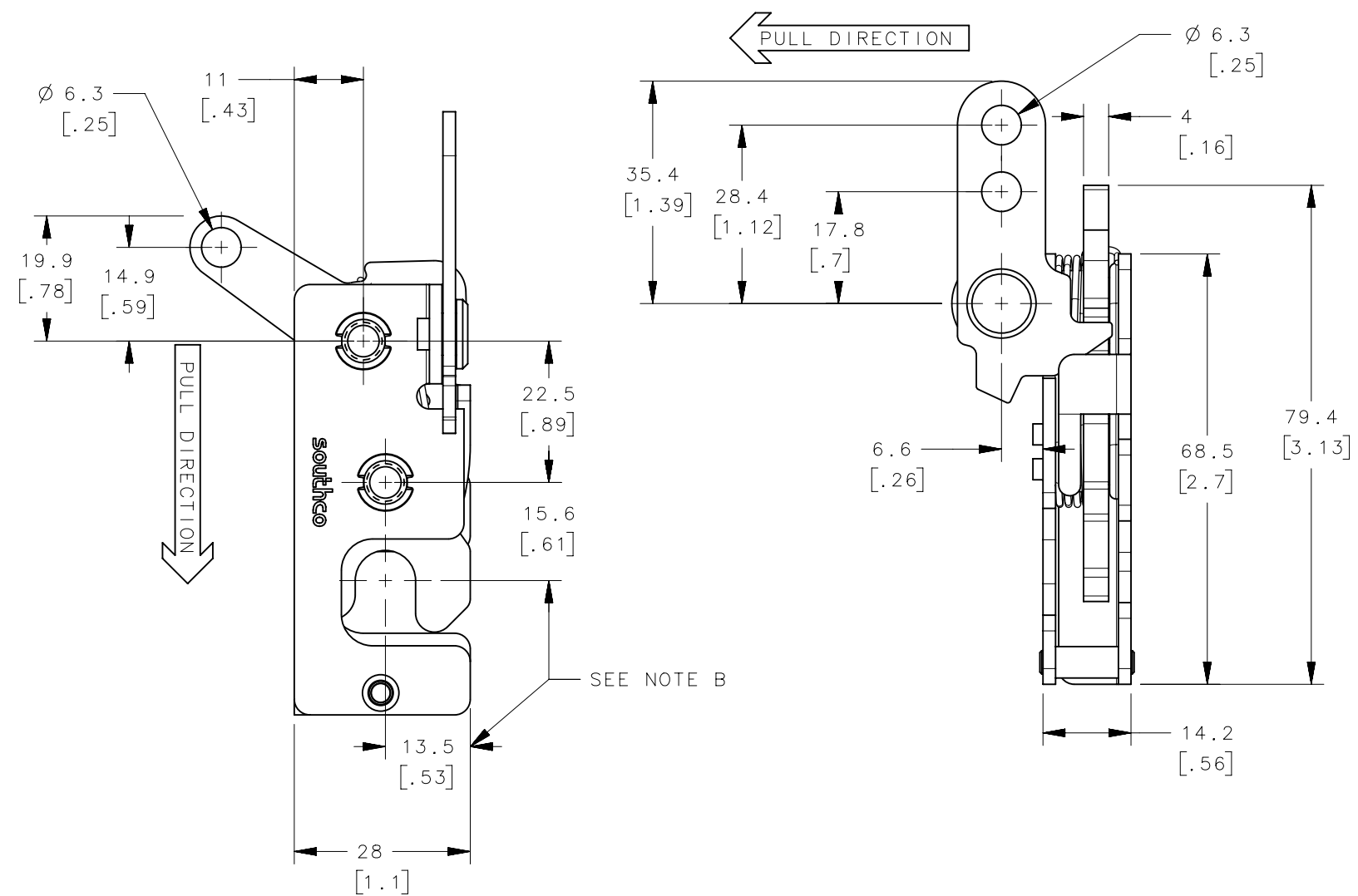
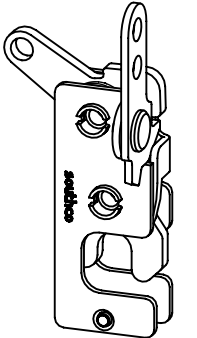


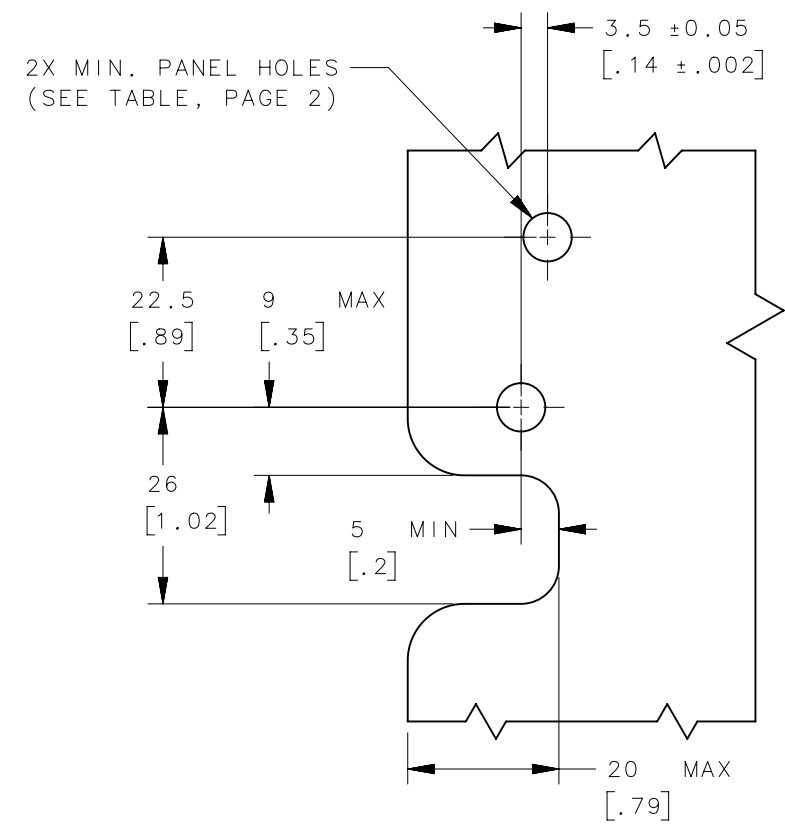
REVISION HISTORY			
REV	DATE	BY	DESCRIPTION
F	14DEC2023	PSP/SAK	PRN: P2023-2296

STANDARD

WITH INTEGRATED BUMPER



PANEL PREPARATION



NOTES:

- A. MATERIAL AND FINISH:
 - HOUSING, LEVER, RIVET AND INTERNAL COMPONENTS: STEEL, ZINC PLATED, BRIGHT CHROMATE
 - PAWL AND TRIGGER: HARDENED STEEL, ZINC PLATED, BRIGHT CHROMATE
 - SPRING: STEEL, PTFE COATING, BLACK
- B. THESE DIMENSIONS REQUIRED FOR MOUNTING STRIKER BOLT.

ASSEMBLY PART No.

R4-10-□□-70□-10

<p>STAGE & ACTUATION</p> <p>2 - SINGLE STAGE, LEFT HAND</p> <p>4 - DUAL STAGE, LEFT HAND</p>	<p>MOUNTING STYLE</p> <p>0 - Ø7.2 [.283] THRU</p> <p>1 - 1/4-20 THREAD</p> <p>2 - M6x1 THREAD</p>	<p>BUMPER OPTION</p> <p>1 - STANDARD (WITHOUT BUMPER)</p> <p>5 - INTEGRATED BUMPER</p>
---	--	---

THIRD ANGLE PROJECTION	southco [®]	
	CONNECT · CREATE · INNOVATE	
MILLIMETERS [IN]	DESCRIPTION R4-10 ROTARY LATCH, BOTTOM PULL WITH SECONDARY TRIGGER, BUMPER OPTIONAL, LH	
TOLERANCES UNLESS OTHERWISE NOTED	SIZE B	SYSTEM NX
ALL DIMENSIONS WITHOUT TOLERANCES ARE FOR REFERENCE ONLY.	DWG NO. J-R4-10-7L	
	PER ASME Y14.5M-2009	DATE 11JUN2015
PROPRIETARY ITEM <small>EXCEPT FOR USES EXPRESSLY GRANTED IN WRITING, INFORMATION DISCLOSED HEREON IS CONFIDENTIAL AND ALL RIGHTS, PATENT AND OTHERWISE, ARE RESERVED BY SOUTHCO, INC.</small>	DRAWN BY CMG/DGJ	SCALE 1:1
		SHEET 1 OF 3

6

5

4

3

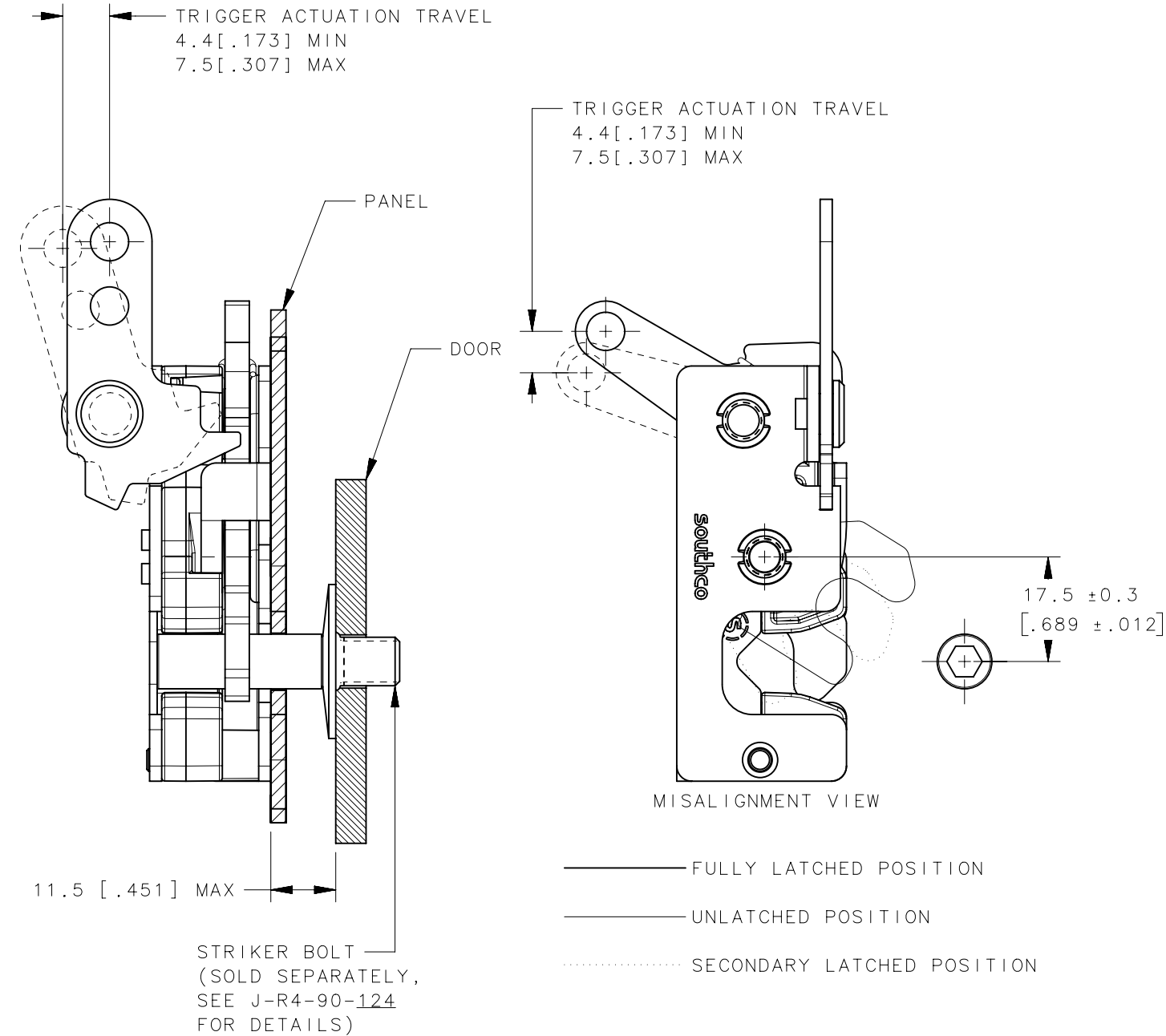
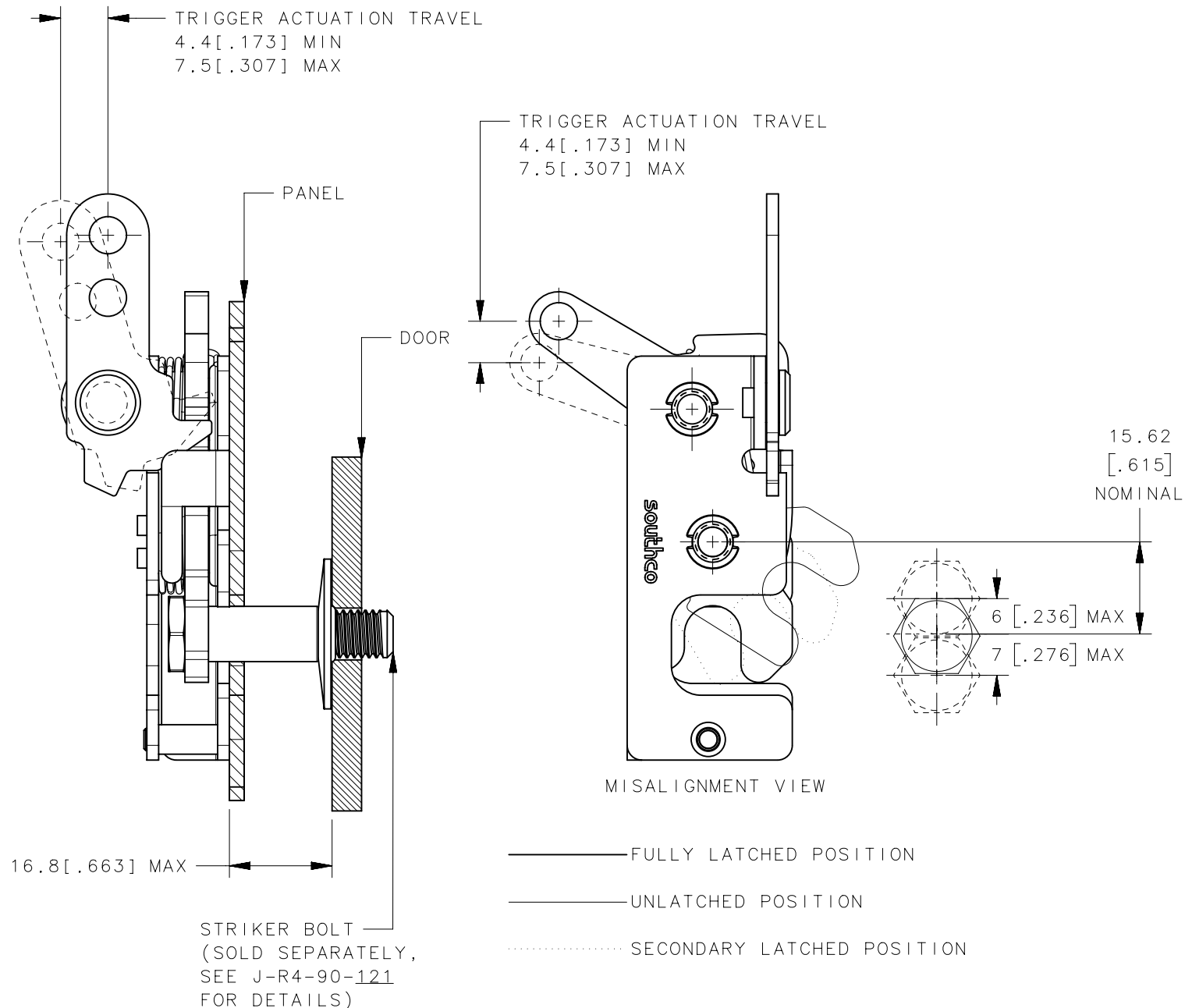
2

1

REVISION HISTORY			
REV	DATE	BY	DESCRIPTION
F	14DEC2023	PSP/SAK	PRN: P2023-2296

STANDARD

WITH INTEGRATED BUMPER



NOTES:

A. THE TOLERANCE BETWEEN THE LATCH AND STRIKER BOLT ASSUMES A NON-RIGID DOOR INSTALLATION THAT WILL ALLOW THE DOOR TO MOVE INTO THE NOMINAL POSITION DURING LATCHING. RIGID DOORS MUST HAVE THE STRIKER INSTALLED PER THE PANEL PREPARATION RECOMMENDATION.

B. THE NOMINAL DIMENSION IN THE MISALIGNMENT VIEW ASSUMES THE LATCH IS CONNECTED TO A PERFECTLY RIGID DOOR AND HINGE. THEREFORE, THERE IS NO DOOR AND/OR HINGE SLACK ASSOCIATED WITH THIS DIMENSION. THE MISALIGNMENT VIEW DOES NOT TAKE FLEXING OF THE STRIKER BOLT INTO ACCOUNT.

R4-10-X0-70X-10	Ø 7.2mm THRU	Ø 7.2 [.299]
R4-10-X1-70X-10	1/4-20 THREAD	Ø 6.8 [.268]
R4-10-X2-70X-10	M6x1 THREAD	Ø 6.4 [.252]
ASSEMBLY PART NUMBER	MOUNTING STYLE	MINIMUM PANEL HOLE

THIRD ANGLE PROJECTION					
					CONNECT • CREATE • INNOVATE
MILLIMETERS [IN]	DESCRIPTION			R4-10 ROTARY LATCH, BOTTOM PULL WITH SECONDARY TRIGGER, BUMPER OPTIONAL, LH	
TOLERANCES UNLESS OTHERWISE NOTED	SIZE	SYSTEM	DWG NO.		
ALL DIMENSIONS WITHOUT TOLERANCES ARE FOR REFERENCE ONLY.	B	NX	J-R4-10-7L		
PROPRIETARY ITEM EXCEPT FOR USES EXPRESSLY GRANTED IN WRITING, INFORMATION DISCLOSED HEREON IS CONFIDENTIAL AND ALL RIGHTS, PATENT AND OTHERWISE, ARE RESERVED BY SOUTHCO, INC.	PER ASME Y14.5M-2009	DRAWN BY	DATE	SCALE	SHEET
	CMG/DGJ	11JUN2015	1:1	2 OF 3	

6

5

4

3

2

1

6

5

4

3

2

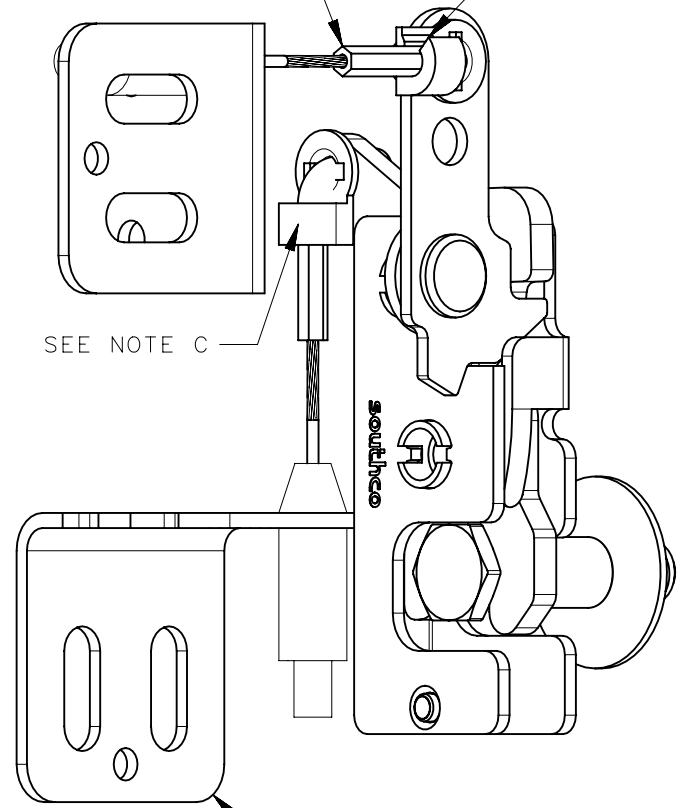
1

REVISION HISTORY			
REV	DATE	BY	DESCRIPTION
F	14DEC2023	PSP/SAK	PRN: P2023-2296

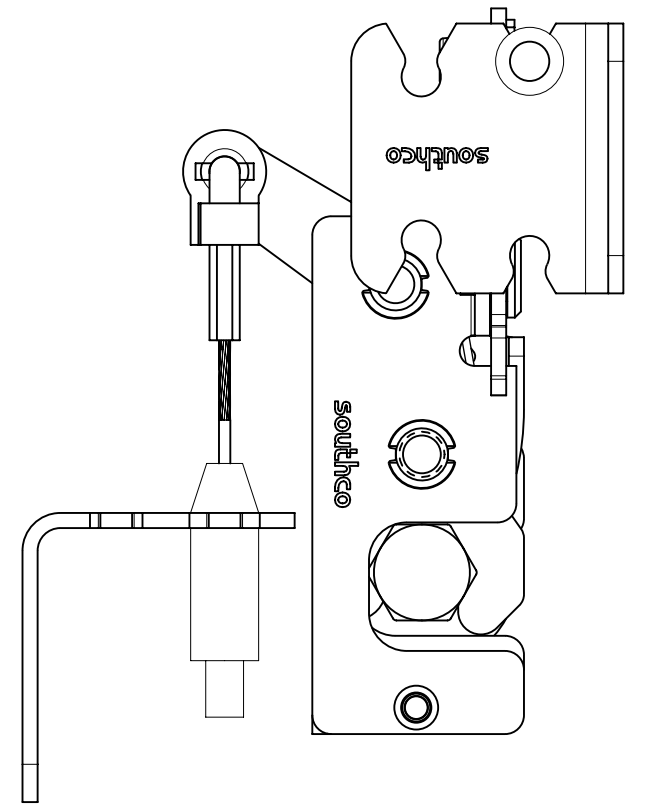
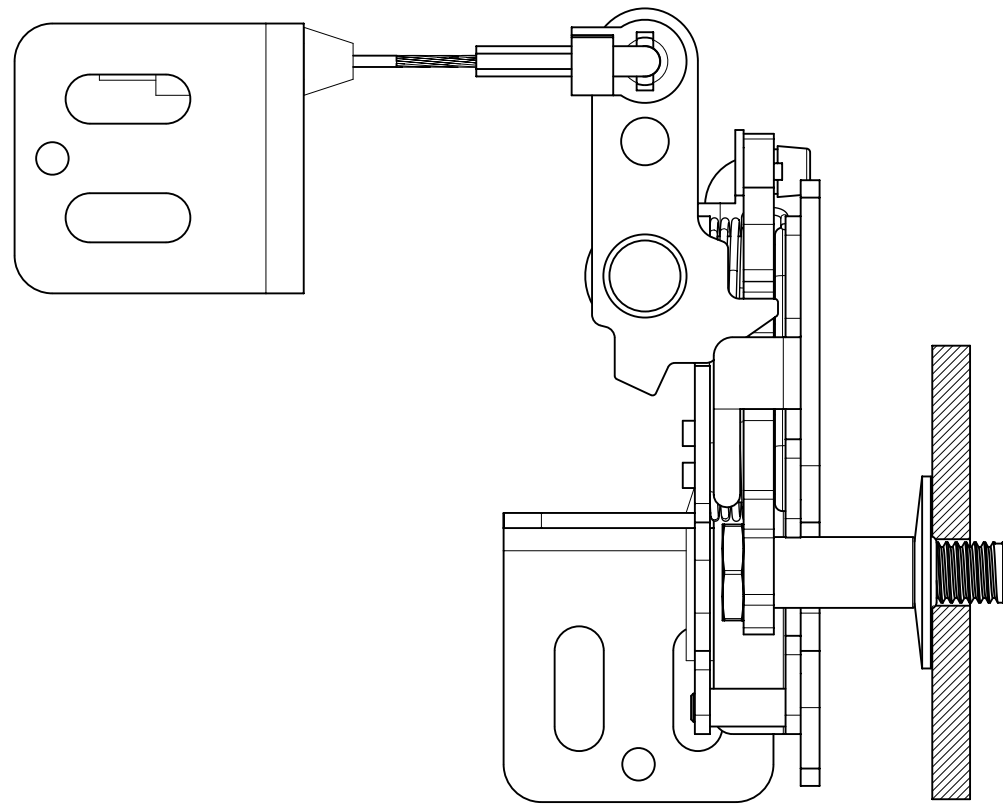
CABLE ASSEMBLY SEE J-AC-C
(CABLE SHOWN WITH CABLE
FITTING "B" IN A CABLE
ASSEMBLY "13")

SEE NOTE B

SEE NOTE C



OPTIONAL CABLE ASSEMBLY
MOUNTING BRACKET
PART NUMBER AC-900-02-10
(SOLD SEPARATELY)



NOTES:

- A. FOR OPTIONAL LINK RETAINERS (SOLD SEPARATELY), SEE J-R4-0-43922
- B. FOR LEVER RETAINER ONLY, USE R4-0-43922
- C. FOR TRIGGER RETAINER ONLY, USE R4-0-43922-2

THIRD ANGLE PROJECTION		southco [®] CONNECT · CREATE · INNOVATE	
MILLIMETERS [IN]			
TOLERANCES UNLESS OTHERWISE NOTED		DESCRIPTION R4-10 ROTARY LATCH, BOTTOM PULL WITH SECONDARY TRIGGER, BUMPER OPTIONAL, LH	
ALL DIMENSIONS WITHOUT TOLERANCES ARE FOR REFERENCE ONLY.		SIZE B	SYSTEM NX
PER ASME Y14.5M-2009		DWG NO. J-R4-10-7L	DATE 11JUN2015
PROPRIETARY ITEM <small>EXCEPT FOR USES EXPRESSLY GRANTED IN WRITING, INFORMATION DISCLOSED HEREON IS CONFIDENTIAL AND ALL RIGHTS, PATENT AND OTHERWISE, ARE RESERVED BY SOUTHCO, INC.</small>		DRAWN BY CMG/DGJ	SCALE 1:1
		SHEET 3 OF 3	

6

5

4

3

2

1