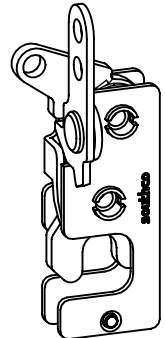


REVISION HISTORY			
REV	DATE	BY	DESCRIPTION
D	22DEC2023	SDR/CRM	PRN: P2023-2357

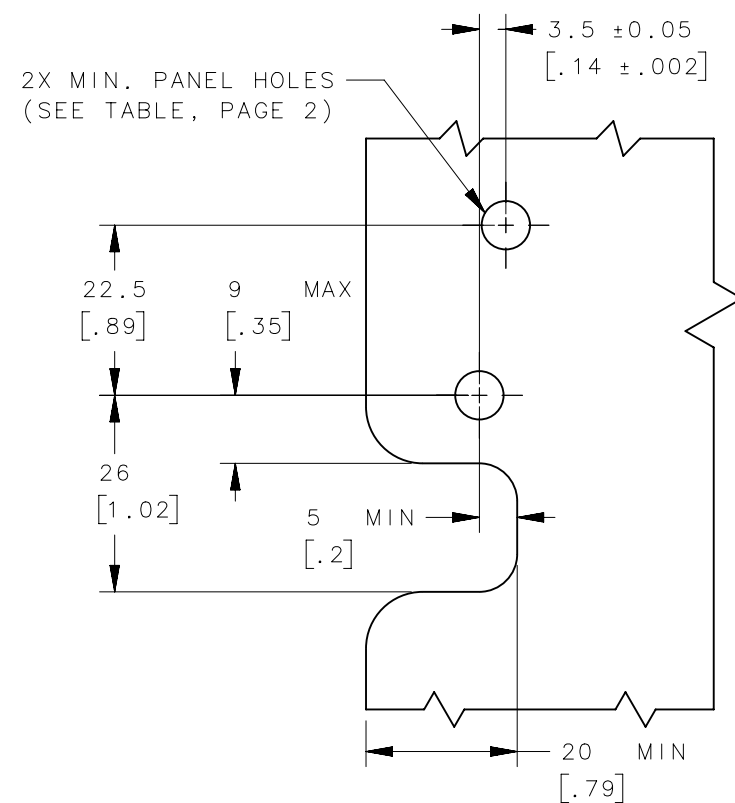
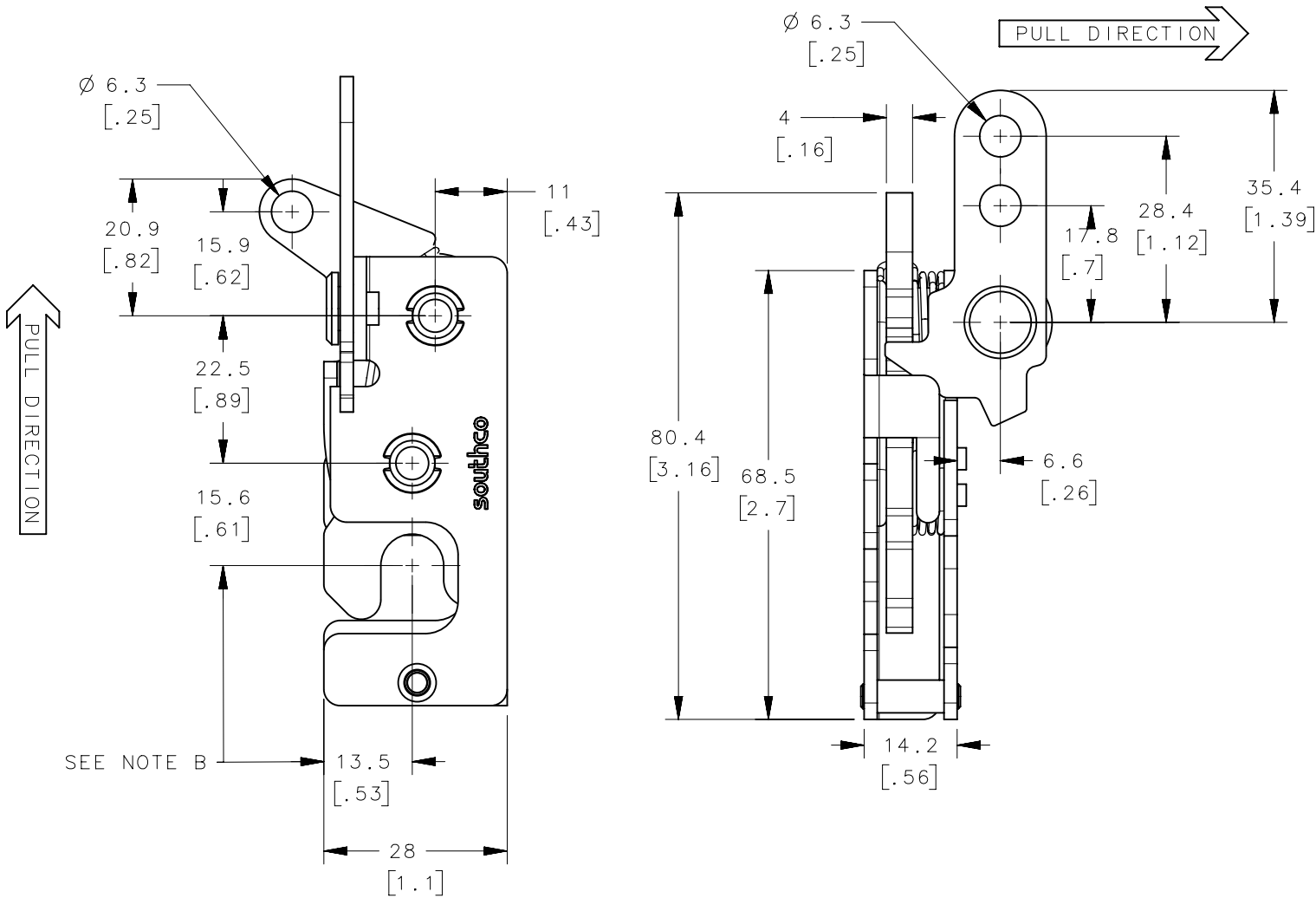
STANDARD

WITH INTEGRATED BUMPER

PANEL PREPARATION



SCALE 1:2



NOTES:

- A. MATERIAL AND FINISH:
  - HOUSING, LEVER, RIVET AND INTERNAL COMPONENTS: STEEL, ZINC PLATED, BRIGHT CHROMATE
  - PAWL AND TRIGGER: HARDENED STEEL, ZINC PLATED, BRIGHT CHROMATE
  - SPRING: STEEL, PTFE COATING, BLACK
- B. THESE DIMENSIONS REQUIRED FOR MOUNTING STRIKER BOLT.

ASSEMBLY PART No.

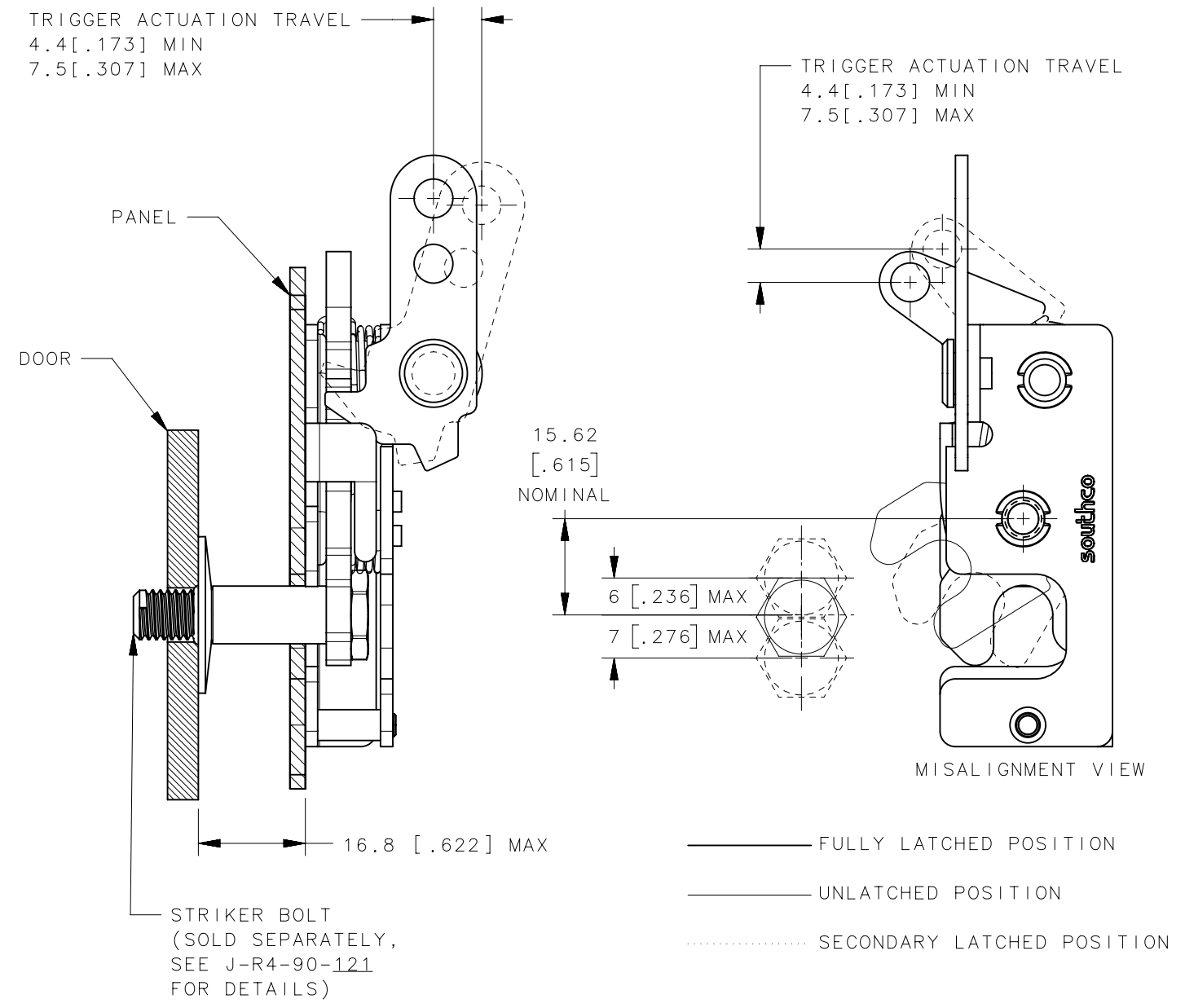
R4-10-□□-80□-10

<u>STAGE &amp; ACTUATION</u>	<u>MOUNTING STYLE</u>	<u>BUMPER OPTION</u>
1 - SINGLE STAGE, RIGHT HAND	0 - Ø7.2 [.283] THRU	1 - STANDARD (WITHOUT BUMPER)
3 - DUAL STAGE, RIGHT HAND	1 - 1/4-20 THREAD	5 - INTEGRATED BUMPER
	2 - M6x1 THREAD	

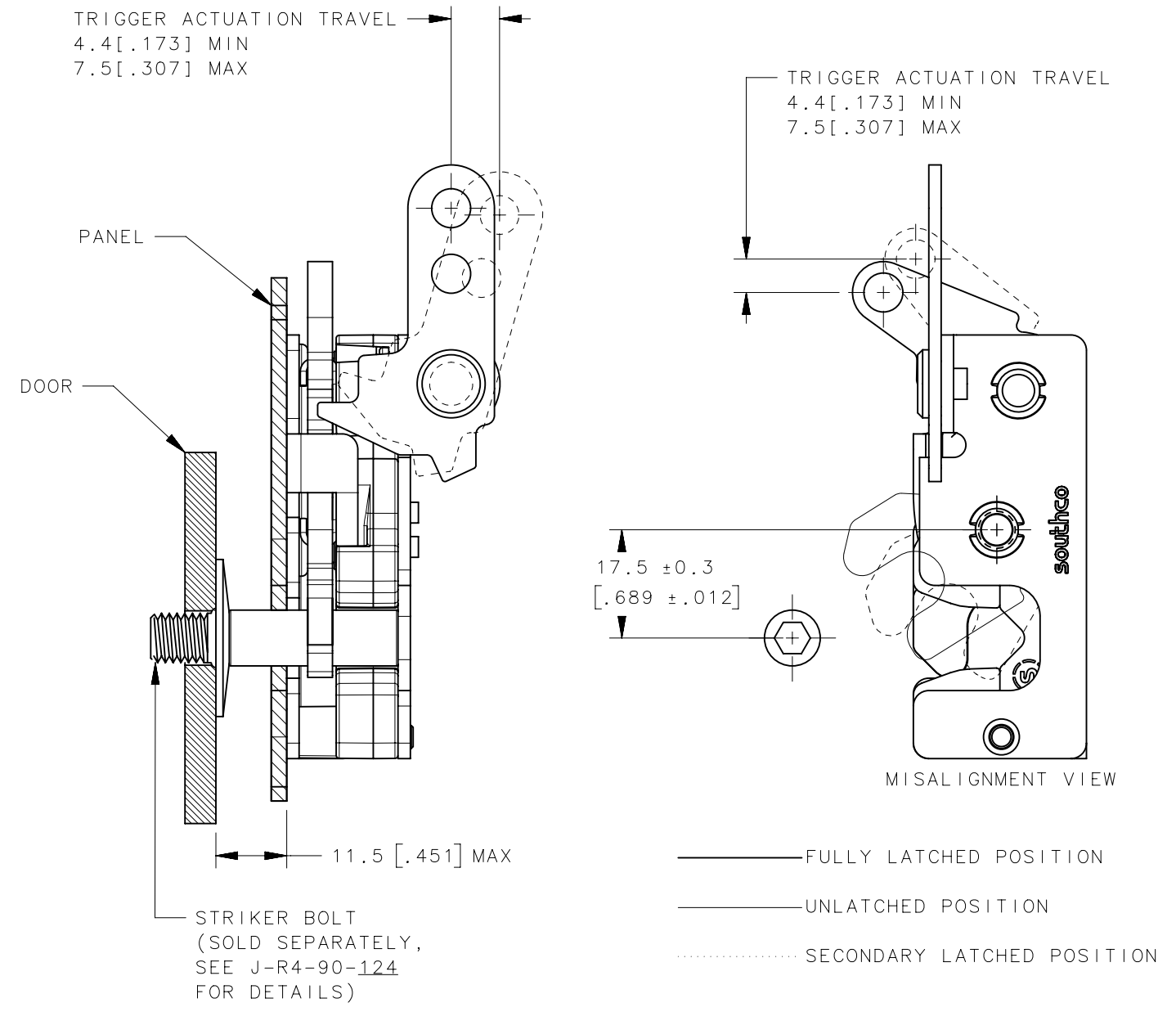
THIRD ANGLE PROJECTION				
MILLIMETERS [IN]	DESCRIPTION			
TOLERANCES UNLESS OTHERWISE NOTED	R4-10 ROTARY LATCH, TOP PULL WITH SECONDARY TRIGGER, BUMPER OPTIONAL, RH			
ALL DIMENSIONS WITHOUT TOLERANCES ARE FOR REFERENCE ONLY.	SIZE	SYSTEM	DWG NO.	
PROPRIETARY ITEM	B	NX	J-R4-10-8R	
EXCEPT FOR USES EXPRESSLY GRANTED IN WRITING, INFORMATION DISCLOSED HEREON IS CONFIDENTIAL AND ALL RIGHTS, PATENT AND OTHERWISE, ARE RESERVED BY SOUTHCO, INC.	PER ASME Y14.5M-2009	DRAWN BY	DATE	SCALE
		CMG/DGJ	11JUN2015	1:1
				SHEET 1 OF 3

REVISION HISTORY			
REV	DATE	BY	DESCRIPTION
D	22DEC2023	SDR/CRM	PRN: P2023-2357

STANDARD



WITH INTEGRATED BRACKET



NOTES:

- A. THE TOLERANCE BETWEEN THE LATCH AND STRIKER BOLT ASSUMES A NON-RIGID DOOR INSTALLATION THAT WILL ALLOW THE DOOR TO MOVE INTO THE NOMINAL POSITION DURING LATCHING. RIGID DOORS MUST HAVE THE STRIKER INSTALLED PER THE PANEL PREPARATION RECOMMENDATION.
- B. THE NOMINAL DIMENSION IN THE MISALIGNMENT VIEW ASSUMES THE LATCH IS CONNECTED TO A PERFECTLY RIGID DOOR AND HINGE. THEREFORE, THERE IS NO DOOR AND/OR HINGE SLACK ASSOCIATED WITH THIS DIMENSION. THE MISALIGNMENT VIEW DOES NOT TAKE FLEXING OF THE STRIKER BOLT INTO ACCOUNT.

R4-10-X0-80X-10	Ø 7.2mm THRU	Ø 7.2 [.299]
R4-10-X1-80X-10	1/4-20 THREAD	Ø 6.8 [.268]
R4-10-X2-80X-10	M6x1 THREAD	Ø 6.4 [.252]
ASSEMBLY PART NUMBER	MOUNTING STYLE	MINIMUM PANEL HOLE

THIRD ANGLE PROJECTION			<b>southco</b> <sup>®</sup> CONNECT · CREATE · INNOVATE	
MILLIMETERS [IN]				
TOLERANCES UNLESS OTHERWISE NOTED	DESCRIPTION R4-10 ROTARY LATCH, TOP PULL WITH SECONDARY TRIGGER, BUMPER OPTIONAL, RH			
ALL DIMENSIONS WITHOUT TOLERANCES ARE FOR REFERENCE ONLY.	SIZE B	SYSTEM NX	DWG NO. J-R4-10-8R	
PROPRIETARY ITEM EXCEPT FOR USES EXPRESSLY GRANTED IN WRITING, INFORMATION DISCLOSED HEREON IS CONFIDENTIAL AND ALL RIGHTS, PATENT AND OTHERWISE, ARE RESERVED BY SOUTHCO, INC.	PER ASME Y14.5M-2009	DRAWN BY CMG/DGJ	DATE 11JUN2015	SCALE 1:1 SHEET 2 OF 3

6

5

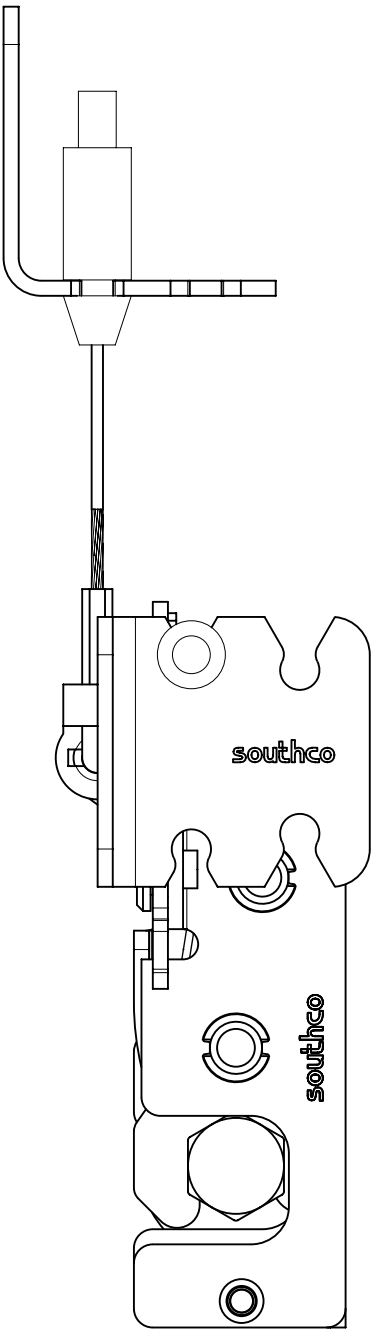
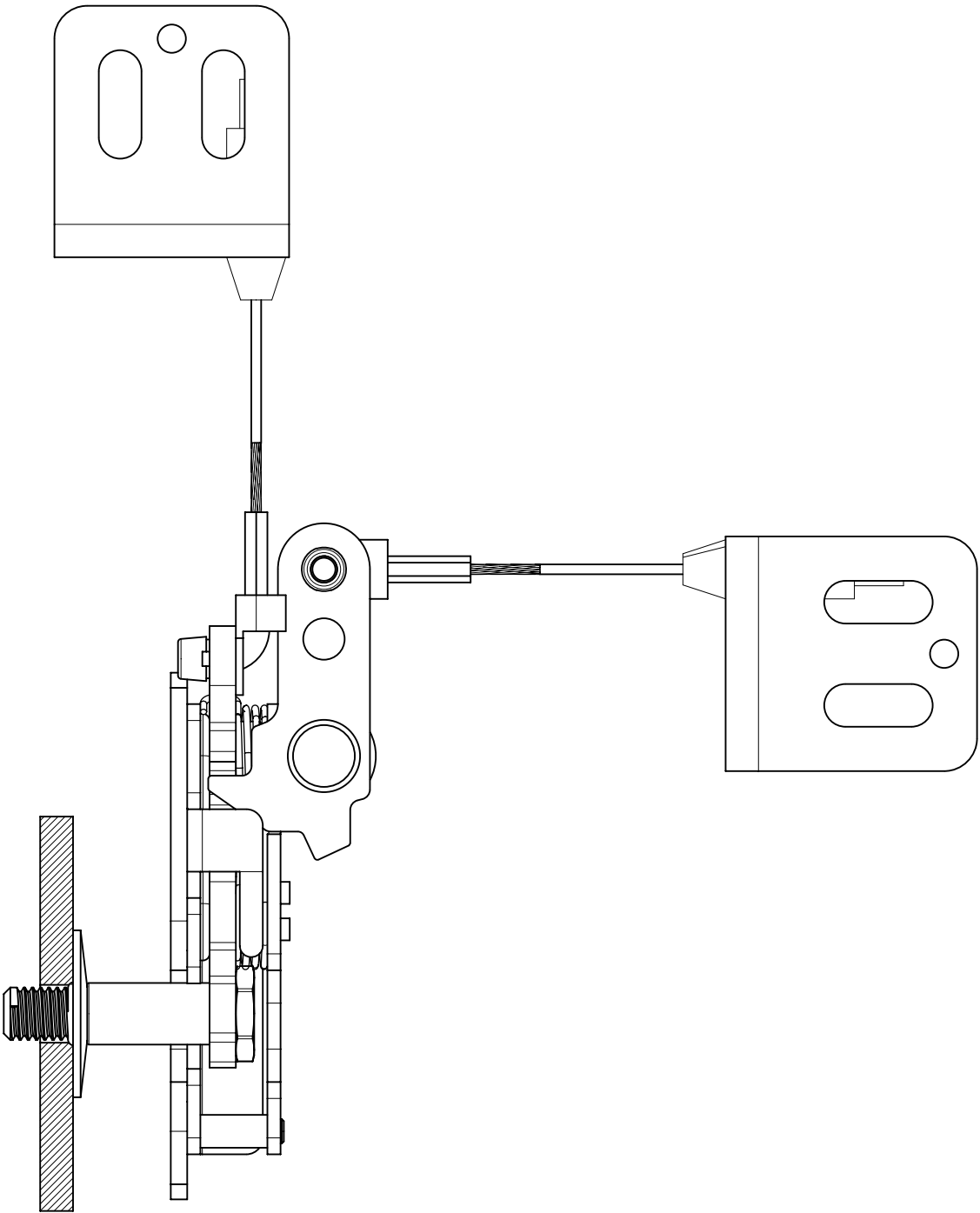
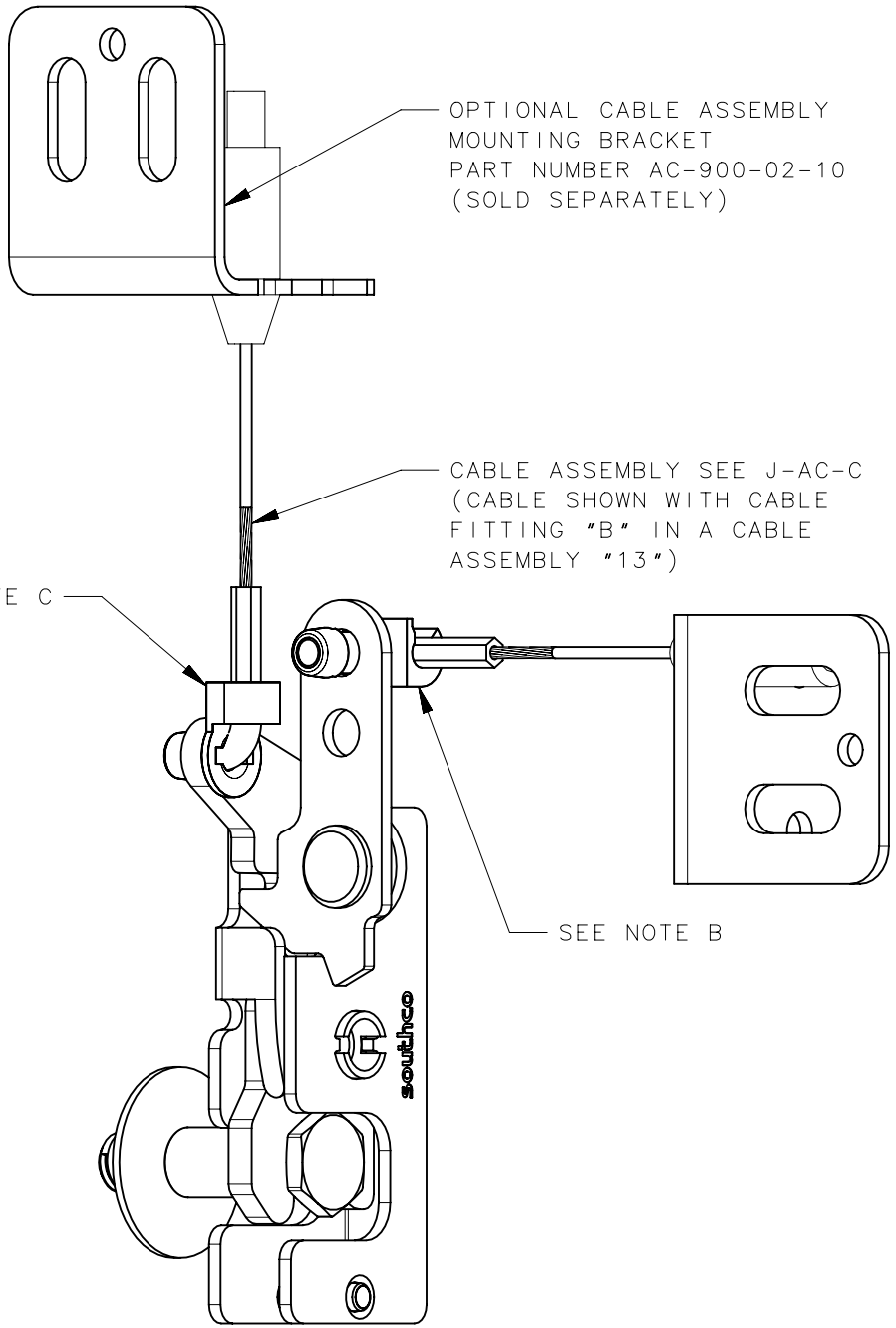
4

3

2

1

REVISION HISTORY			
REV	DATE	BY	DESCRIPTION
D	22DEC2023	SDR/CRM	PRN: P2023-2357



- NOTES:
- A. FOR OPTIONAL LINK RETAINERS (SOLD SEPARATELY), SEE J-R4-0-43922
  - B. FOR LEVER RETAINER ONLY, USE R4-0-43922
  - C. FOR TRIGGER RETAINER ONLY, USE R4-0-43922-2

THIRD ANGLE PROJECTION		<b>southco</b> <sup>®</sup> CONNECT · CREATE · INNOVATE	
MILLIMETERS [IN]			
TOLERANCES UNLESS OTHERWISE NOTED		DESCRIPTION R4-10 ROTARY LATCH, TOP PULL WITH SECONDARY TRIGGER, BUMPER OPTIONAL, RH	
ALL DIMENSIONS WITHOUT TOLERANCES ARE FOR REFERENCE ONLY.		SIZE B	SYSTEM NX
PER ASME Y14.5M-2009		DWG NO. J-R4-10-8R	DATE 11JUN2015
PROPRIETARY ITEM <small>EXCEPT FOR USES EXPRESSLY GRANTED IN WRITING, INFORMATION DISCLOSED HEREON IS CONFIDENTIAL AND ALL RIGHTS, PATENT AND OTHERWISE, ARE RESERVED BY SOUTHCO, INC.</small>		DRAWN BY CMG/DGJ	SCALE 1:1
		SHEET 3 OF 3	

6

5

4

3

2

1