

R4-60-2 C₂ C₃ - D₁ D₂

C₂: LATCH STYLE

- 0 = NON-LOCKING
- 1 = LOCKING, STANDARD (KEY CODE R-001)

C₃: PANEL THICKNESS

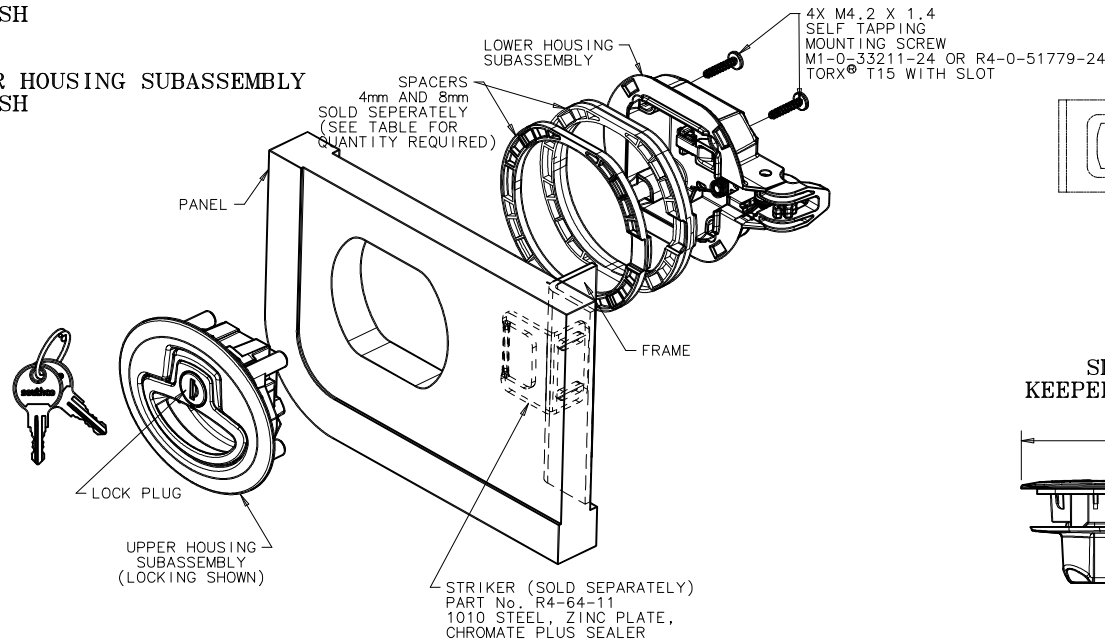
- 0 = 1mm TO 23.9mm
- 1 = 24mm TO 27.9mm

D₁: UPPER HOUSING SUBASSEMBLY FINISH

- 5 = BLACK
- 7 = WHITE

D₂: LOWER HOUSING SUBASSEMBLY FINISH

- 5 = BLACK
- 7 = WHITE



PROPRIETARY ITEM - EXCEPT FOR USES EXPRESSLY GRANTED IN WRITING INFORMATION DISCLOSED HEREIN IS CONFIDENTIAL AND ALL RIGHTS PATENT AND OTHERWISE ARE RESERVED BY SOUTHCO, INC.

R4 LATCH ASSEMBLY LOCKING/NONLOCKING

DATE	DRAWN	CHKD	SCALE	DRAWING NUMBER
23DEC2004	RLR	MDY	0.5:1	J-R4-60

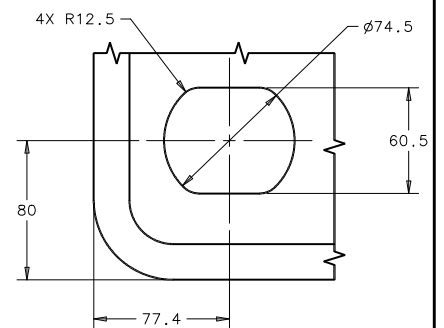
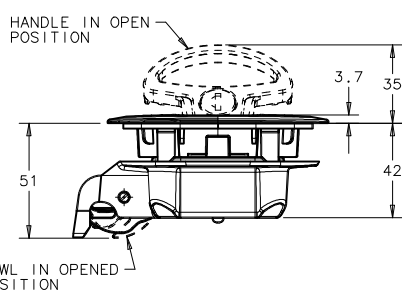
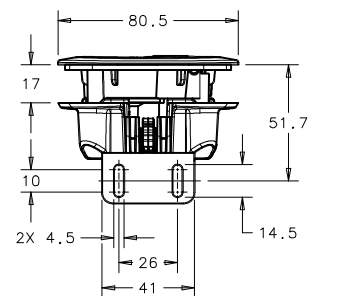
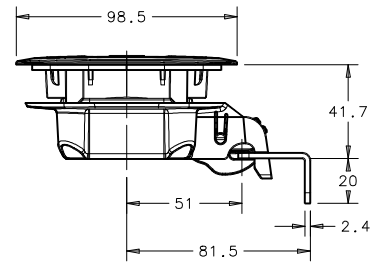
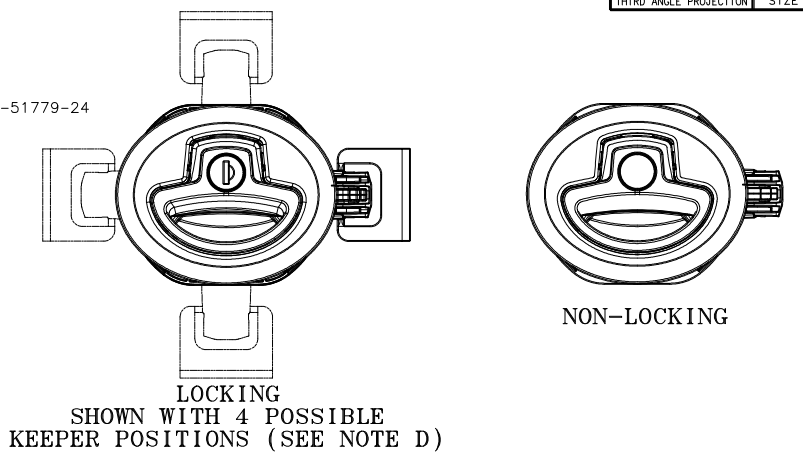
REV	DATE	DRAWN/CHKD	DESCRIPTION	PANEL THICKNESS	4mm SPACERS REQUIRED (PART NUMBER R4-64-13-1)	8mm SPACERS REQUIRED (PART NUMBER R4-64-13-2)
A	08MAR2005	MJR/MDY	PRN: P2005-0308	1 - 4.9mm	-	2
B	27APR2005	MDY/AJH	PRN: P2005-0503	5 - 9.9mm	1	1
C	18OCT2005	MJS/AJH	PRN: P2005-1465	10 - 14.9mm	-	1
D	09MAY2011	ACH/DK	PRN: P2011-0612	15 - 19.9mm	1	-
E	13MAY2011	MJS/DK	PRN: P2011-0642	20 - 23.9mm	-	-
F	25APR2018	CMS/MGG	PRN: P2018-1024	24 - 27.9mm	-	-

MILLIMETERS

ALL DIMENSIONS WITHOUT TOLERANCES ARE FOR REFERENCE ONLY.

THIRD ANGLE PROJECTION

A3 PAPER SIZE



NOTES:

A. MATERIAL AND FINISH:

- UPPER HOUSING AND HANDLE: PC + ABS, SEE D₁ & D₂ FOR FINISH
- LOWER HOUSING: PA6-GF33, SEE D₂ FOR FINISH
- GASKET: SPONGE, GRAY/BLACK
- SEALING WASHER: SEAL COMPOUND: COMMERCIAL STANDARD NITRILE
RETAINER MATERIAL: LOW CARBON STEEL, ZINC PLATED
- PAWL SPRING: 302 STAINLESS STEEL, PASSIVATED
- PAWL: PA6-GF60, BLACK
- PLUNGER: PA6-GF33, BLACK
- COIL PIN: 302 STAINLESS STEEL, PASSIVATED
- COMPRESSION AND TORSION SPRING: 302/304 STAINLESS STEEL, PASSIVATED
- LOCK PLATE: ACETAL, BLACK
- LOCK PLUG: ZINC DIE CAST, STAINLESS STEEL SCALP

B. PANEL THICKNESS GREATER THAN 27.9mm CAN BE ACCOMODATED, CALL FOR DETAILS.

C. APPLICATION:

1. MAXIMUM RECOMMENDED TIGHTENING TORQUE ON MOUNTING SCREWS IS 1.4 Nm.

D. APPLIES TO LOCKING AND NON-LOCKING TYPES.