

6

5

4

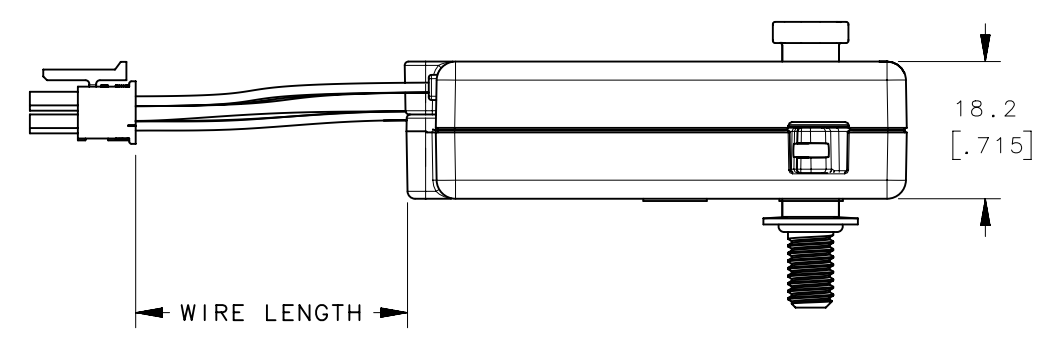
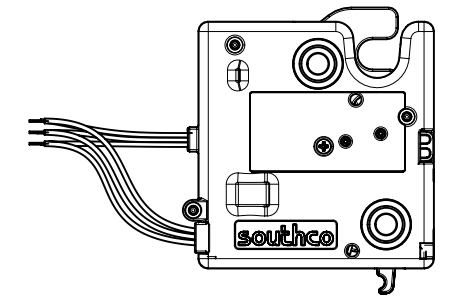
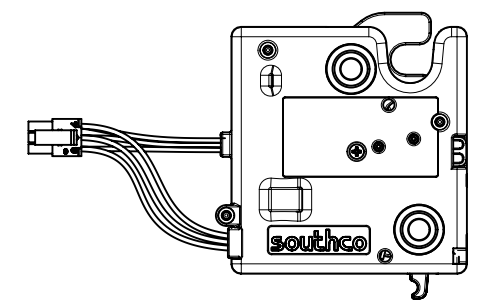
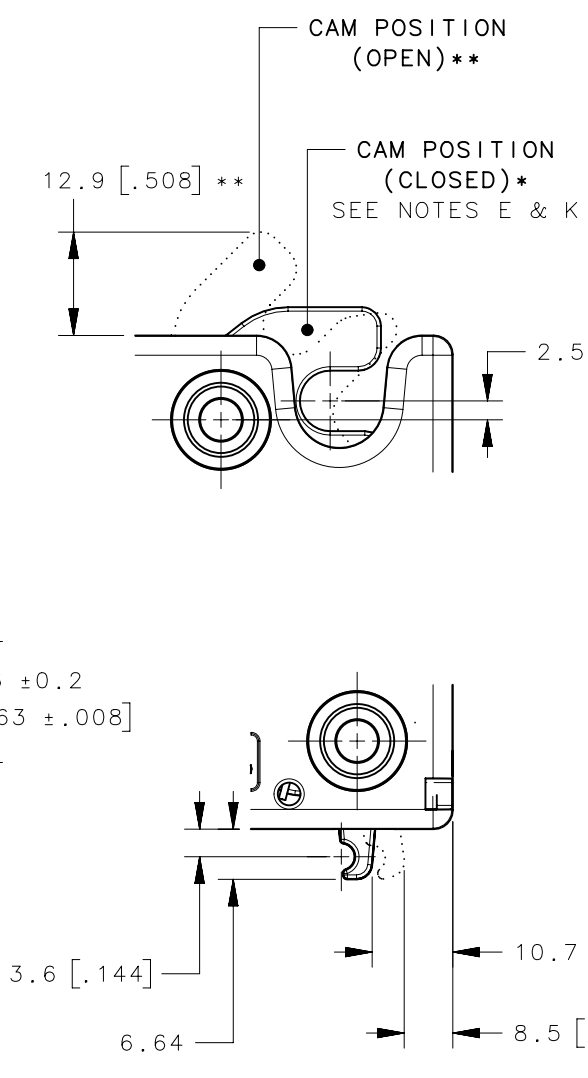
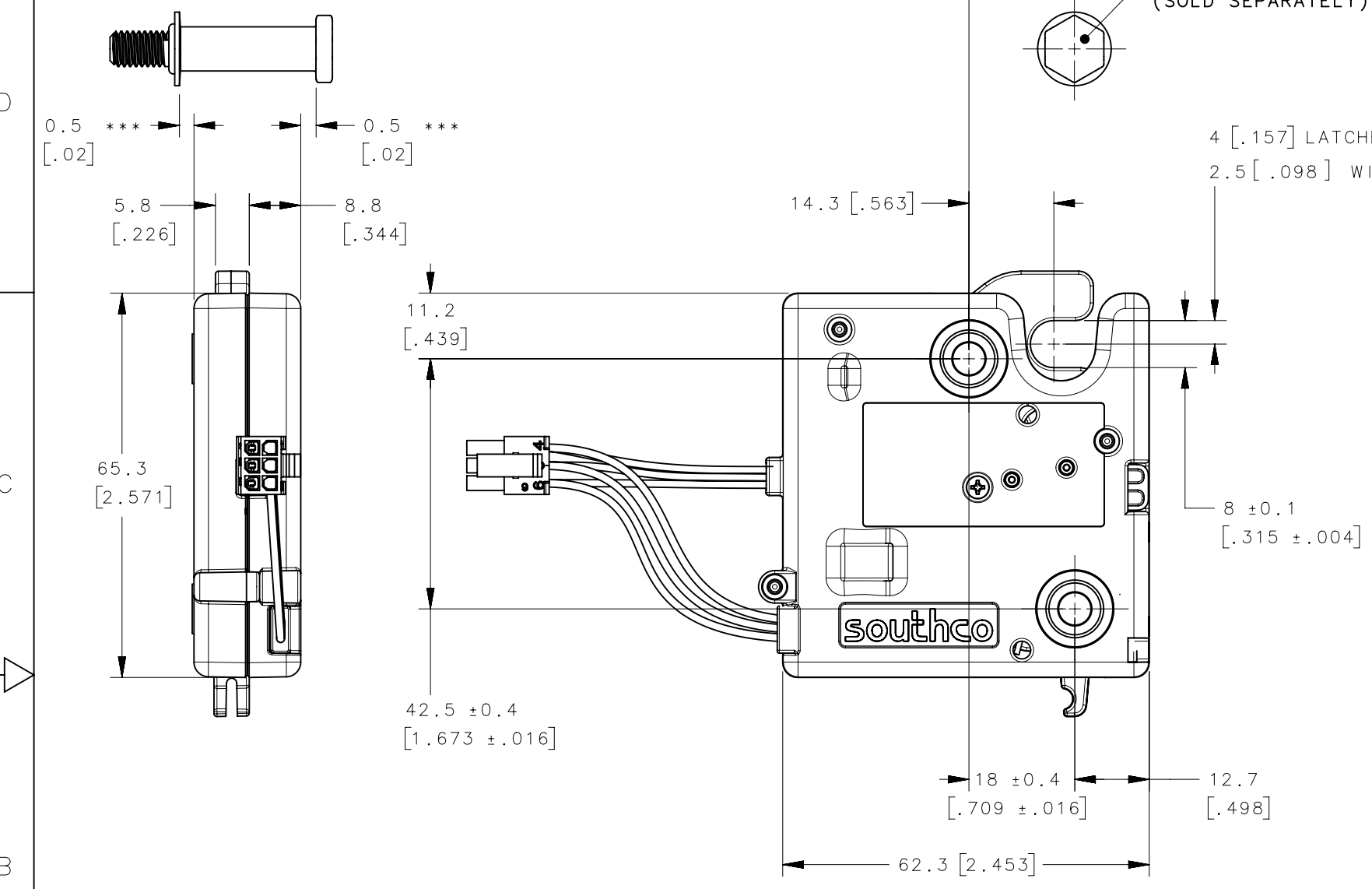
3

2

1

REVISION HISTORY			
REV	DATE	BY	DESCRIPTION
J	05JUN2018	ACS/DJK	PRN: P2018-1397

MINIMUM CLEARANCE TO HOUSING***



LATCH PART NUMBERS				
ASSEMBLY PART NUMBER	MOUNTING HOLE OPTION	WIRE LENGTH	CONNECTOR	SWITCH
R4-EM-65-161	10-24 UNC THREAD	135MM ±10	YES	YES
R4-EM-64-161	M5 x0.8 THREAD			
R4-EM-63-161	Ø 5.5 THRU HOLE			
R4-EM-65-162	10-24 UNC THREAD	400MM	NO	
R4-EM-64-162	M5 x0.8 THREAD			
R4-EM-63-162	Ø 5.5 THRU HOLE			

THIRD ANGLE PROJECTION

MILLIMETERS [IN]

TOLERANCES UNLESS OTHERWISE NOTED

ALL DIMENSIONS WITHOUT TOLERANCES ARE FOR REFERENCE ONLY.

PROPRIETARY ITEM
EXCEPT FOR USES EXPRESSLY GRANTED IN WRITING, INFORMATION DISCLOSED HEREON IS CONFIDENTIAL AND ALL RIGHTS, PATENT AND OTHERWISE, ARE RESERVED BY SOUTHCO, INC.

PER ASME Y14.5M-1994

southco
CONNECT • CREATE • INNOVATE

DESCRIPTION
LIGHT DUTY R4-EM ASSEMBLY,
DELAYED RE-LOCK WITH SWITCH

SIZE B SYSTEM NX DWG NO. J-R4-EM-60-161

DRAWN BY BGL/CLB DATE 19DEC2012 SCALE 1:1 SHEET 1 OF 2

6

5

4

3

2

1

