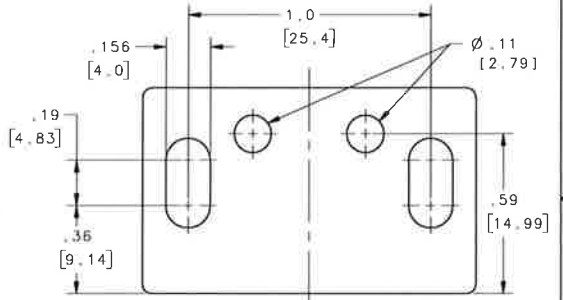
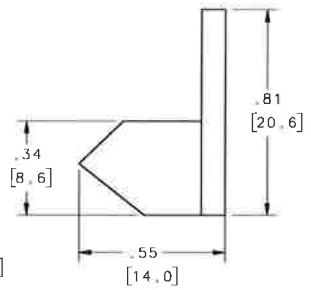
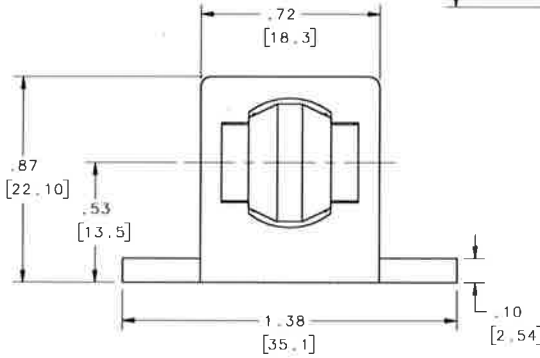
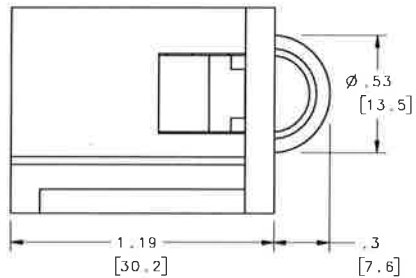
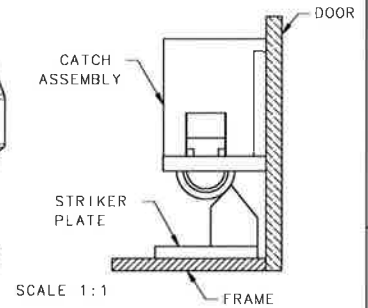
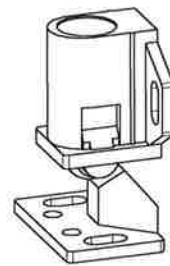
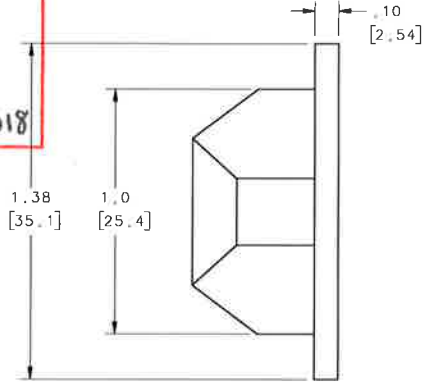
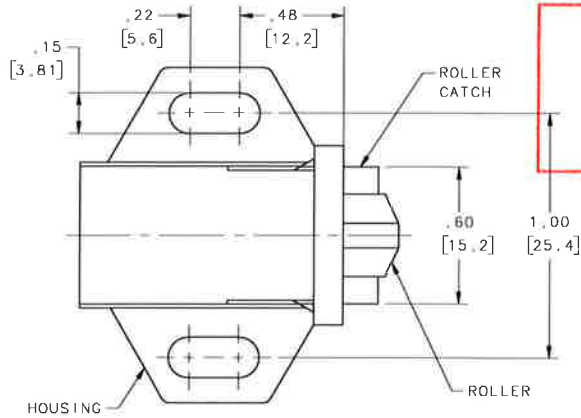


OBSOLETE

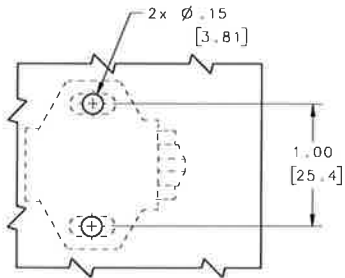
Record DWG
SEE DWG: ~~EOL~~
PER PRN: ~~P2018-0092~~
Initials / Date: ~~ANT/10JUN2018~~

| REVISION HISTORY | | | |
|------------------|-----------|---------|-----------------|
| REV | DATE | BY | DESCRIPTION |
| A | 10JUL2012 | DMS/YGC | PRN: P2012-0894 |

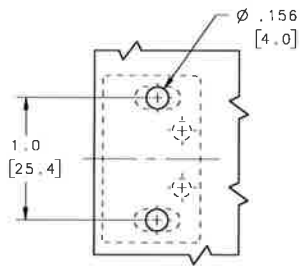


CATCH ASSEMBLY

STRIKER PLATE



CATCH PANEL PREP
SCALE 1:1



STRIKER PLATE PANEL PREP
SCALE 1:1

| NO. | PART NUMBER | QTY | TYPE OF COMPONENT | MATERIAL | FINISH | GENERAL NOTES |
|-----|--------------|-----|-------------------|-----------------|------------|---------------|
| 6 | T9-20-801-20 | 1 | ASSEMBLY | - | - | - |
| 5 | - | 1 | CATCH HOUSING | ACETAL | WHITE | - |
| 4 | - | 1 | ROLLER CATCH | ACETAL | WHITE | - |
| 3 | - | 1 | ROLLER | ACETAL | WHITE | - |
| 2 | - | 1 | SPRING | STAINLESS STEEL | PASSIVATED | NOT SHOWN |
| 1 | - | 1 | STRIKER PLATE | ACETAL | WHITE | - |

| | | |
|---|--|--|
| THIRD ANGLE PROJECTION | | southco CONNECT · CREATE · INNOVATE |
| INCHES [MM] | | |
| TOLERANCES UNLESS OTHERWISE NOTED | | DESCRIPTION T9 PUSH-TO-CLOSE LATCH CONCEALED, ROLLER CATCH |
| ALL DIMENSIONS WITHOUT TOLERANCES ARE FOR REFERENCE ONLY. | | |
| PER ASME Y14.5M-1994 | | SIZE SYSTEM B NX |
| DRAWN BY: DMS/YGC | | DWG NO. J-T9-20-801-20 |
| DATE: 10JUL2012 | | SCALE: 2:1 |
| | | SHEET: 1 OF 1 |

EXCEPT FOR USES EXPRESSLY GRANTED IN WRITING, INFORMATION DISCLOSED HEREIN IS CONFIDENTIAL AND ALL RIGHTS, PATENT AND OTHERWISE ARE RESERVED BY SOUTHCO, INC.