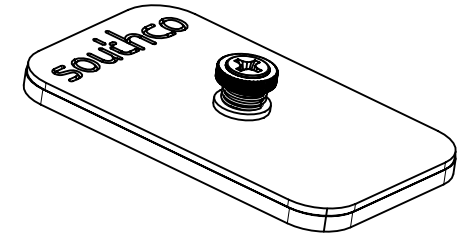
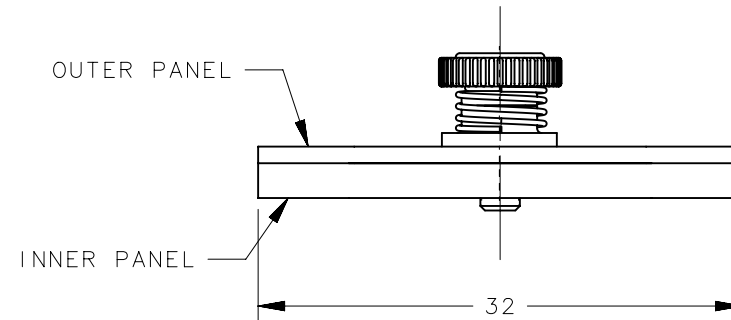
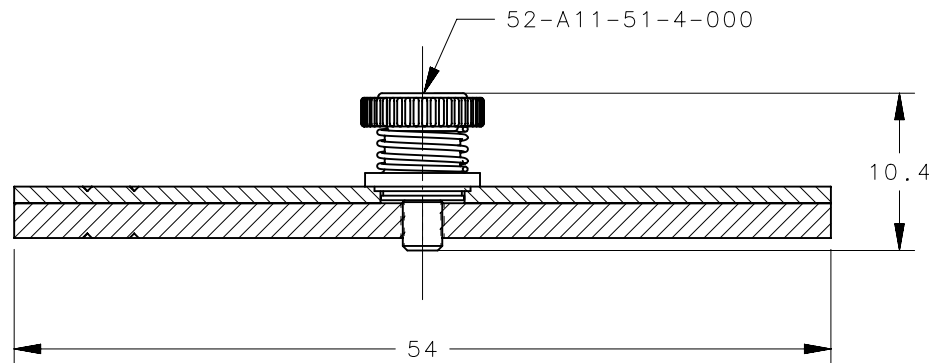


REVISION HISTORY			
REV	DATE	BY	DESCRIPTION
B	21FEB2017	MAL/JQ	PRN: P2017-0442



SCALE 1:1



3	52-A11-51-4-000	1	SCREW ASSEMBLY	-	
2	28-52-1-15	1	OUTER PANEL	ALUMINUM	
1	28-47-105	1	INNER PANEL	ALUMINUM	
	28-52-6	1	ASSEMBLY	-	
NO.	PART NUMBER	QTY	TYPE OF COMPONENT	MATERIAL	GENERAL NOTES

THIRD ANGLE PROJECTION					
MILLIMETERS [IN]					
TOLERANCES UNLESS OTHERWISE NOTED		DESCRIPTION DEMO PANEL			
ALL DIMENSIONS WITHOUT TOLERANCES ARE FOR REFERENCE ONLY.		SIZE A4	SYSTEM NX	DWG NO. J-28-52-6	
PROPRIETARY ITEM <small>EXCEPT FOR USES EXPRESSLY GRANTED IN WRITING, INFORMATION DISCLOSED HEREON IS CONFIDENTIAL AND ALL RIGHTS, PATENT AND OTHERWISE, ARE RESERVED BY SOUTHCO, INC.</small>		DRAWN BY MAL/JQ	DATE 09NOV2016	SCALE 2:1	SHEET 1 OF 1
PER ASME Y14.5M-1994					