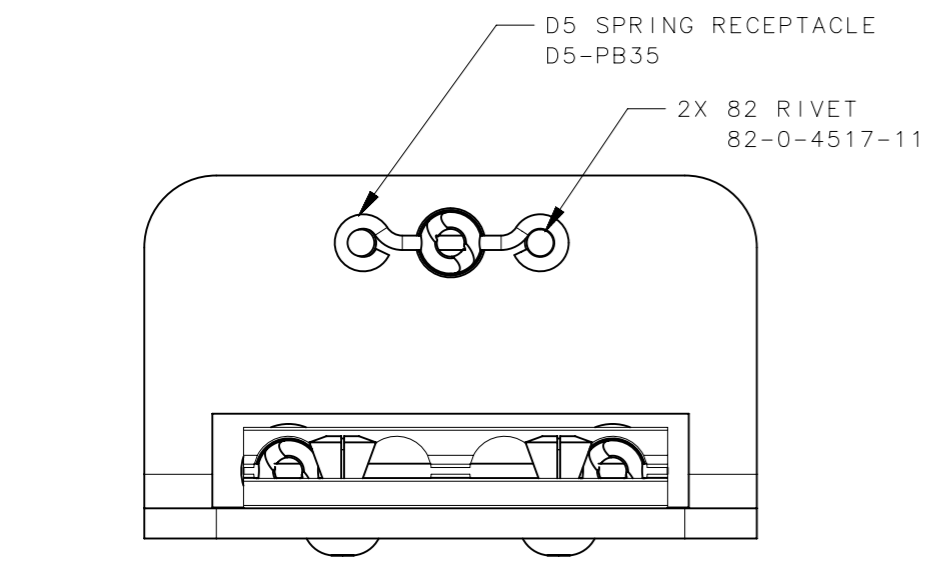
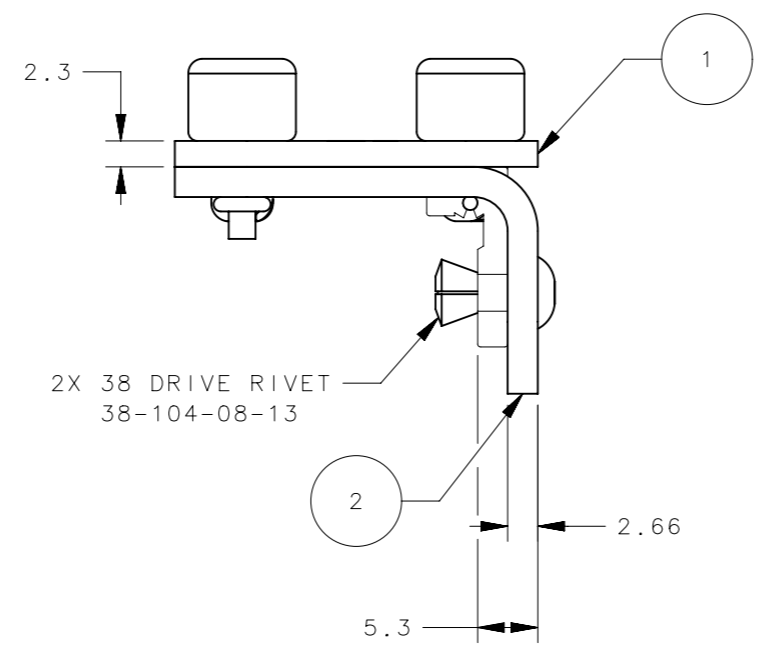
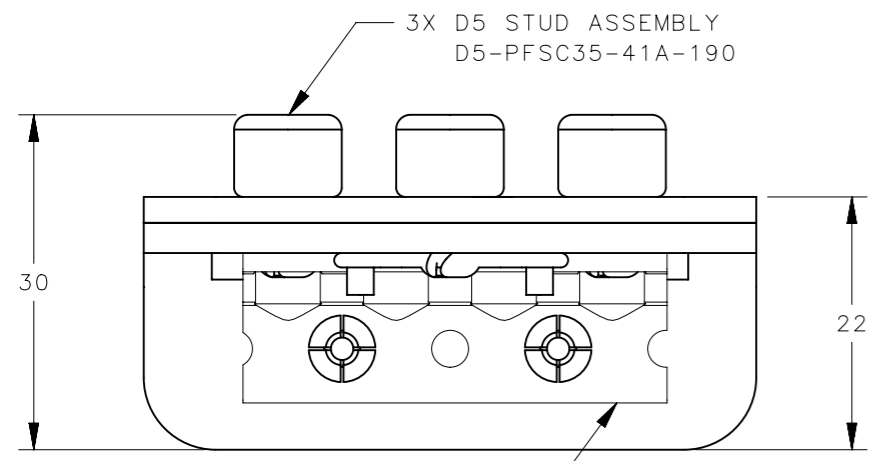
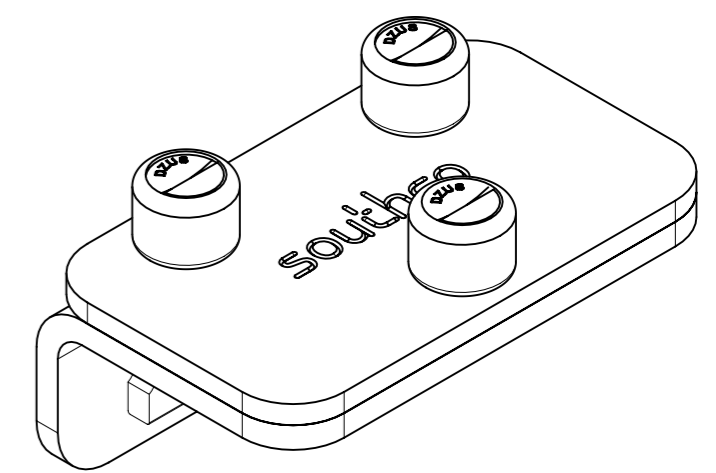
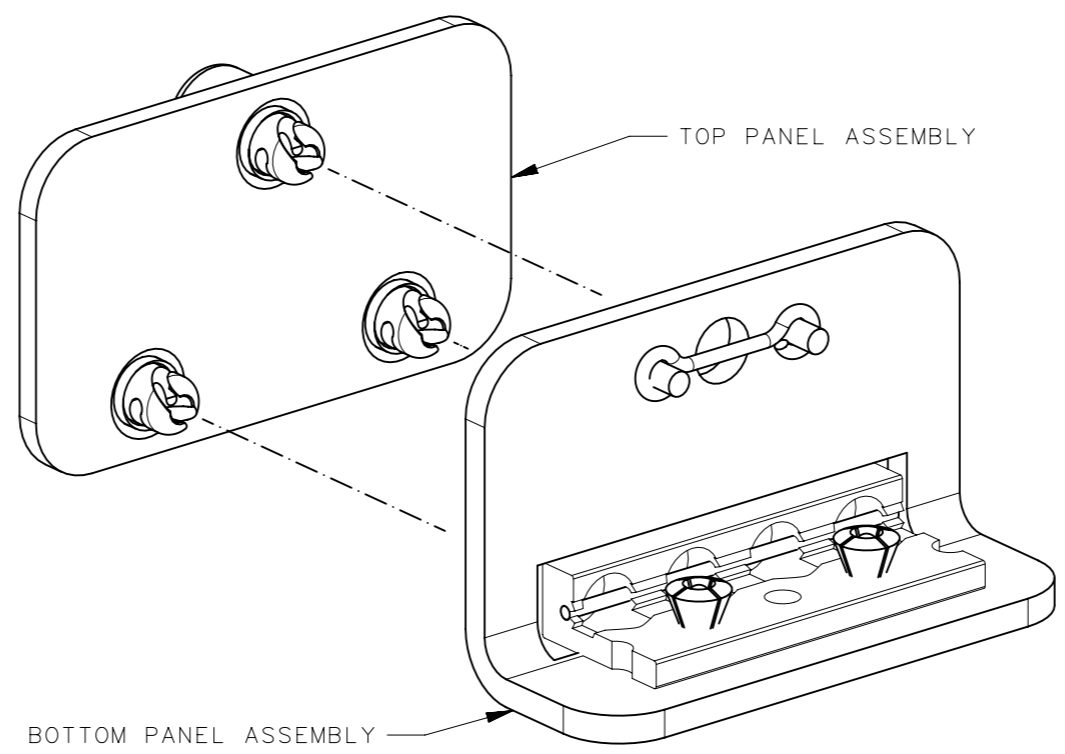
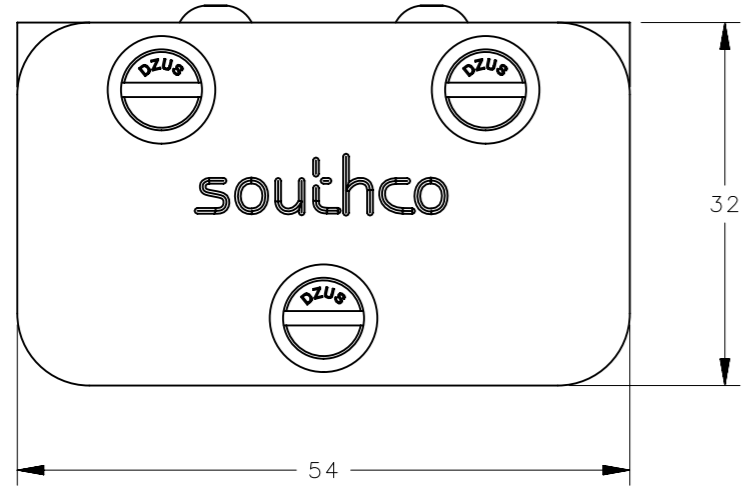


REVISION HISTORY			
REV	DATE	BY	DESCRIPTION
B	28JUN2016	DMS/YGC	PRN: P2016-1499



NOTES:

- A. TOP PANEL ASSEMBLY:  
CONSISTS OF 3 D5 STUD ASSEMBLIES (D5-PFSC35-41A-190) INSTALLED IN A 32 X 54 X 2.3 ALUMINUM PANEL.
- B. BOTTOM (BENT) PANEL ASSEMBLY:  
CONSISTS OF 1 SPRING RECEPTACLE (D5-PB35) AND 1 ANGLED STRIP (D5-PR35H004) INSTALLED IN A 32 X 54 X 20 X 2.66 STEEL PANEL BENT 90°.
- C. TO ENGAGE/DISENGAGE PANEL SUBASSEMBLIES:  
1. PLACE TOP PANEL ASSEMBLY ONTO BOTTOM PANEL ASSEMBLY. ONE D5 ASSEMBLY WILL ENGAGE WITH THE SPRING RECEPTACLE AND TWO D5 ASSEMBLIES WILL ENGAGE WITH THE ANGLED STRIP.  
2. TURN EACH D5 FASTENER 1/4 TURN CLOCKWISE TO LOCK. TURN COUNTER-CLOCKWISE TO DISENGAGE TOP AND BOTTOM PANELS.

NO.	PART NUMBER	QTY	TYPE OF COMPONENT	GENERAL NOTES
2	-	1	SAMPLE PANEL (BOTTOM)	
1	-	1	SAMPLE PANEL (TOP)	
	28-D5-1		SAMPLE PANEL ASSEMBLY	

THIRD ANGLE PROJECTION								
TOLERANCES UNLESS OTHERWISE NOTED				DESCRIPTION				
ALL DIMENSIONS WITHOUT TOLERANCES ARE FOR REFERENCE ONLY.				D5 SAMPLE PANEL ASSEMBLY				
PROPRIETARY ITEM		SIZE	SYSTEM	DWG NO.		SCALE		SHEET
EXCEPT FOR USES EXPRESSLY GRANTED IN WRITING, INFORMATION DISCLOSED HEREON IS CONFIDENTIAL AND ALL RIGHTS, PATENT AND OTHERWISE, ARE RESERVED BY SOUTHCO, INC.		A3	NX	J-28-D5-1		1.5:1		1 OF 1
PER ASME Y14.5M-1994				DRAWN BY	DATE	SCALE	SHEET	
				RMO	22APR2014	1.5:1		1 OF 1