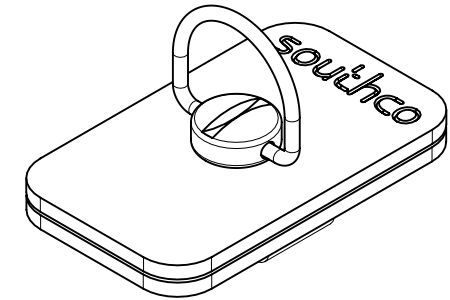
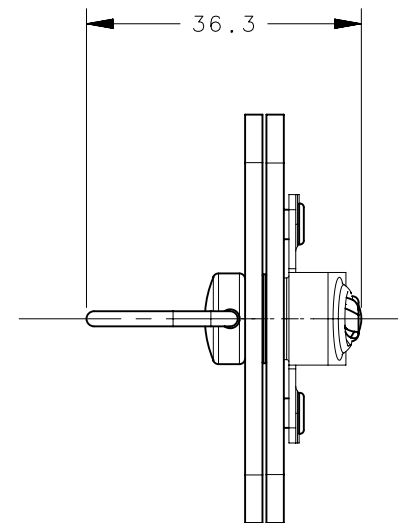
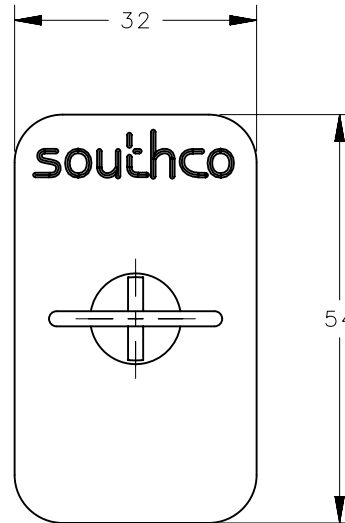
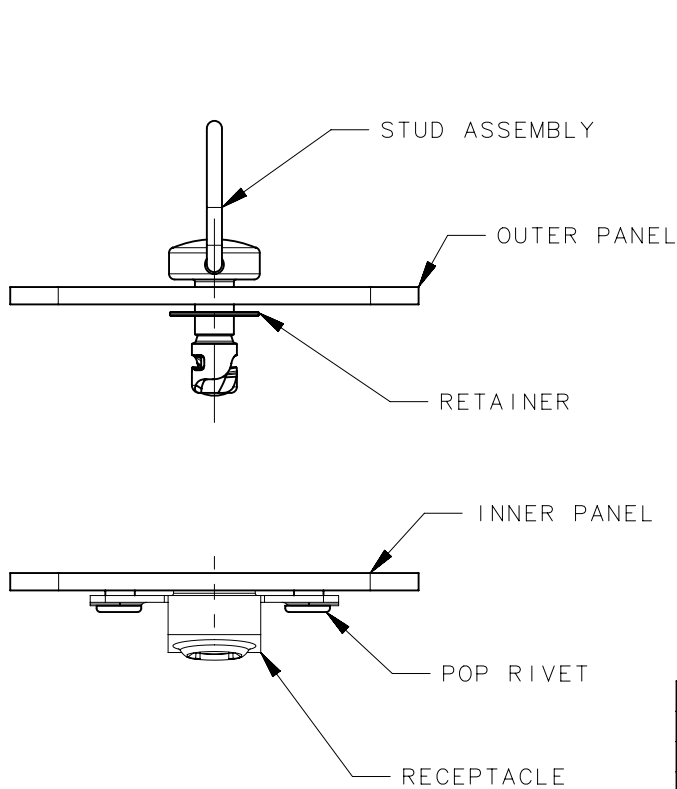


REVISION HISTORY			
REV	DATE	BY	DESCRIPTION
A	07JUN2014	JAJ/YGC	PRN: P2014-1122



SCALE 1:1

NOTES:  
 1. SAMPLE PANEL ASSEMBLY INCLUDES ONE D8 STUD ASSEMBLY, RIVET-ON RECEPTACLE, AND RETAINER.

NO.	PART NUMBER	QTY	TYPE OF COMPONENT	MATERIAL	GENERAL NOTES
6	-	2	POP RIVET	ALUMINUM	
5	D8-326-100-040	1	RETAINER	POLYETHYLENE	
4	D8-336-400-190	1	RECEPTACLE	STEEL	
3	D8-316-412-190	1	STUD ASSEMBLY	STEEL	
2	-	1	INNER PANEL	ALUMINUM	
1	-	1	OUTER PANEL	ALUMINUM	
-	28-D8-316-412	1	SAMPLE PANEL ASSEMBLY	-	

PROPRIETARY ITEM <small>EXCEPT FOR USES EXPRESSLY GRANTED IN WRITING, INFORMATION DISCLOSED HEREON IS CONFIDENTIAL AND ALL RIGHTS, PATENT AND OTHERWISE, ARE RESERVED BY SOUTHCO, INC.</small>	THIRD ANGLE PROJECTION	 CONNECT • CREATE • INNOVATE			
	MILLIMETERS [IN]				
	TOLERANCES UNLESS OTHERWISE NOTED	DESCRIPTION	SIZE	SYSTEM	DWG NO.
	ALL DIMENSIONS WITHOUT TOLERANCES ARE FOR REFERENCE ONLY.	D8 QUARTER TURN ASSEMBLY SAMPLE PANEL	A4	NX	J-28-D8-316-412
PER ASME Y14.5M-1994	DRAWN BY	DATE	SCALE	SHEET	
	JAJ	06JUN2014	1:1	1 OF 1	