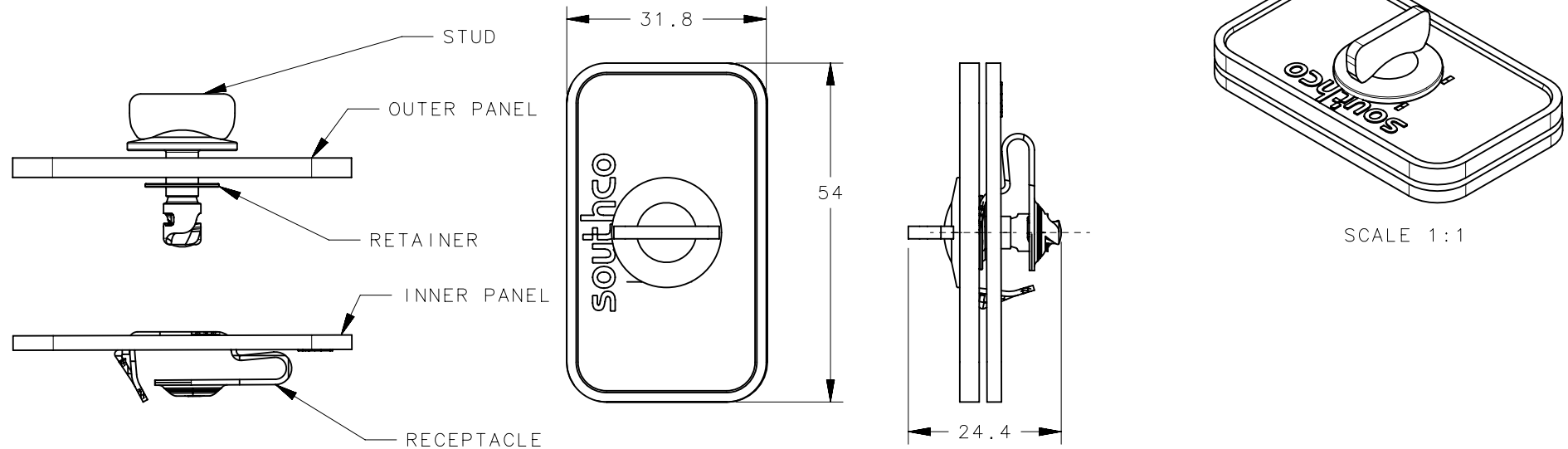


REVISION HISTORY			
REV	DATE	BY	DESCRIPTION
B	21MAR2019	SAM/JCG	PRN: P2019-0750



NOTES:

1. SAMPLE PANEL ASSEMBLY INCLUDES ONE D8 STUD ASSEMBLY, CLIP-IN RECEPTACLE, AND RETAINER.

5	D8-326-100-040	1	RETAINER	POLYTHENE	-
4	D8-336-700-121	1	RECEPTACLE	STEEL	-
3	D8-316-312-190	1	STUD	STEEL	-
2	-	1	SAMPLE PANEL	ALUMINIUM	-
1	-	1	SAMPLE PANEL	ABS	-
-	28-D8-316-700	1	SAMPLE PANEL ASSEMBLY	-	-
NO.	PART NUMBER	QTY	TYPE OF COMPONENT	MATERIAL	GENERAL NOTES

THIRD ANGLE PROJECTION		 CONNECT • CREATE • INNOVATE			
MILLIMETERS [IN]					
TOLERANCES UNLESS OTHERWISE NOTED		DESCRIPTION			
ALL DIMENSIONS WITHOUT TOLERANCES ARE FOR REFERENCE ONLY.		QUARTER TURN ASSEMBLY SAMPLE PANEL			
PROPRIETARY ITEM EXCEPT FOR USES EXPRESSLY GRANTED IN WRITING, INFORMATION DISCLOSED HEREON IS CONFIDENTIAL AND ALL RIGHTS, PATENT AND OTHERWISE, ARE RESERVED BY SOUTHCO, INC.		SIZE A4	SYSTEM NX	DWG NO. J-28-D8-316-700	
PER ASME Y14.5M-1994		DRAWN BY CBI/DMS	DATE 21FEB2019	SCALE 1:1	SHEET 1 OF 1