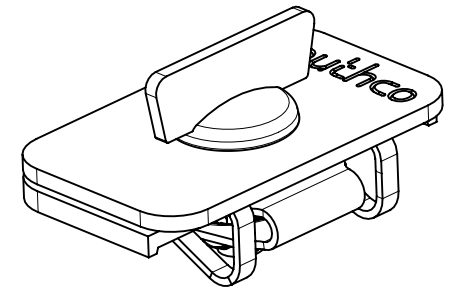
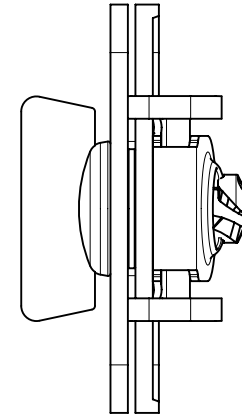
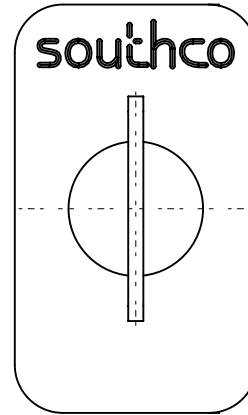
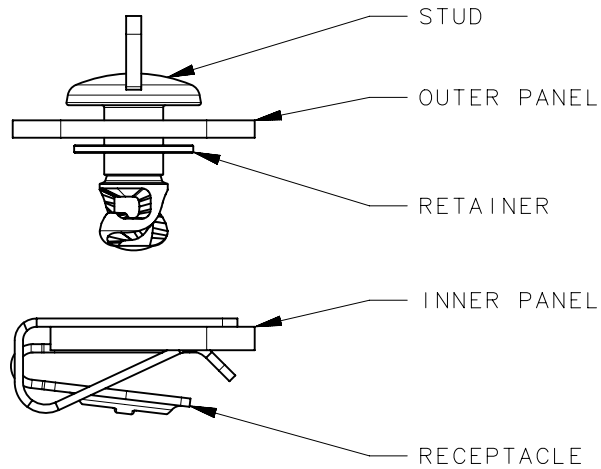


REVISION HISTORY			
REV	DATE	BY	DESCRIPTION
A	07AUG2019	ZAA/JCG	PRN: P2019-1986



SCALE 1:1

NOTES:

1. SAMPLE PANEL ASSEMBLY INCLUDES ONE D8 STUD ASSEMBLY, CLIP-ON RECEPTACLE, AND RETAINER.

NO.	PART NUMBER	QTY	TYPE OF COMPONENT	MATERIAL	GENERAL NOTES
5	D8-329-101-040	1	RETAINER	POLYETHYLENE	
4	D8-339-300-121	1	RECEPTACLE	STEEL	
3	D8-319-3015-190	1	STUD	STEEL	
2	-	1	SAMPLE PANEL	ABS	
1	-	1	SAMPLE PANEL	ALUMINUM	
-	28-D8-319-3015	1	SAMPLE PANEL ASSEMBLY	-	

THIRD ANGLE PROJECTION		southco [®] CONNECT • CREATE • INNOVATE			
MILLIMETERS [IN]					
TOLERANCES UNLESS OTHERWISE NOTED		DESCRIPTION QUARTER TURN ASSEMBLY SAMPLE PANEL			
ALL DIMENSIONS WITHOUT TOLERANCES ARE FOR REFERENCE ONLY.		SIZE A4	SYSTEM NX	DWG NO. J-28-D8-319-3015	
<small>PROPRIETARY ITEM EXCEPT FOR USES EXPRESSLY GRANTED IN WRITING, INFORMATION DISCLOSED HEREON IS CONFIDENTIAL AND ALL RIGHTS, PATENT AND OTHERWISE, ARE RESERVED BY SOUTHCO, INC.</small>		PER ASME Y14.5M-1994	DRAWN BY ZAA/JCG	DATE 07AUG2019	SCALE 1:1 SHEET 1 OF 1