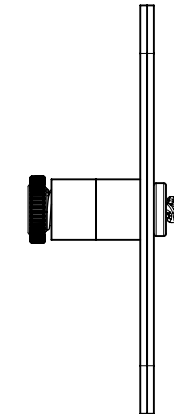
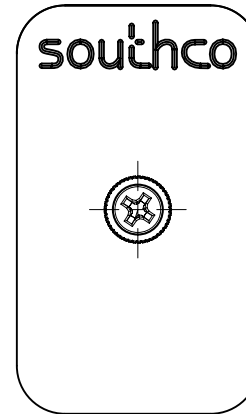
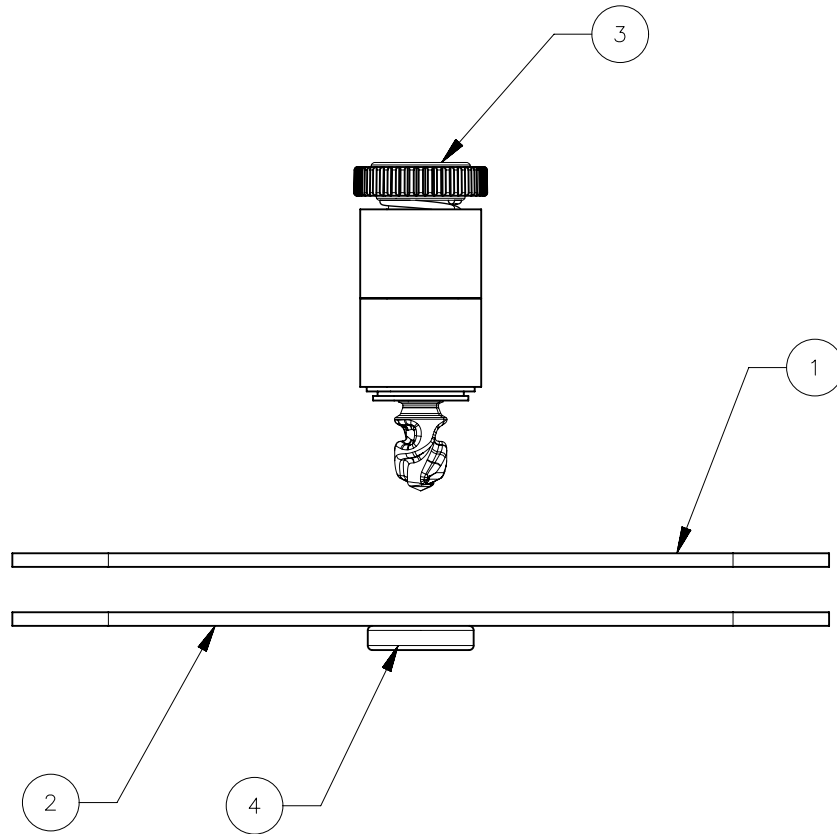


REVISION HISTORY			
REV	DATE	BY	DESCRIPTION
A	11APR2019	SAM/JG	PRN: P2019-0898



SCALE 1:2

NO.	PART NUMBER	QTY	TYPE OF COMPONENT	MATERIAL	GENERAL NOTES
4	D9-63-11	1	RECEPTACLE	STEEL	ZINC PLATE
3	D9-52-1311-K000	1	STUD ASSEMBLY		
2	-	1	INNER PANEL	ALUMINUM	BLACK POWDER COAT
1	-	1	OUTER PANEL	ALUMINUM	BLACK POWDER COAT
-	28-D9-2	1	SAMPLE PANEL ASSEMBLY	-	-

		THIRD ANGLE PROJECTION		 CONNECT • CREATE • INNOVATE	
		MILLIMETERS [IN]			
SURFACE AREA		TOLERANCES UNLESS OTHERWISE NOTED		DESCRIPTION D9 QUICK ACCESS FASTENER ASSEMBLY SAMPLE PANEL	
VOLUME		ALL DIMENSIONS WITHOUT TOLERANCES ARE FOR REFERENCE ONLY		SIZE A4	SYSTEM NX
PROPRIETARY ITEM <small>EXCEPT FOR USES EXPRESSLY GRANTED IN WRITING, INFORMATION DISCLOSED HEREON IS CONFIDENTIAL AND ALL RIGHTS, PATENT AND OTHERWISE, ARE RESERVED BY SOUTHCO, INC.</small>		PER ASME Y14.5M-1994		DWG NO. J-28-D9-2	
		DRAWN BY SAM/JG	DATE 09APR2019	SCALE 1:1	SHEET 1 OF 1