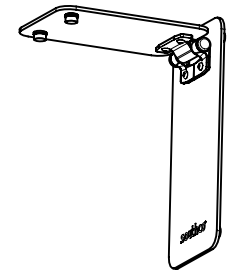
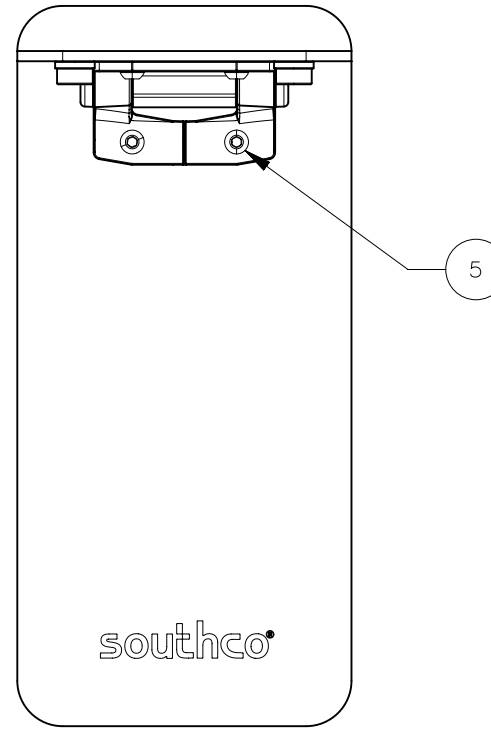
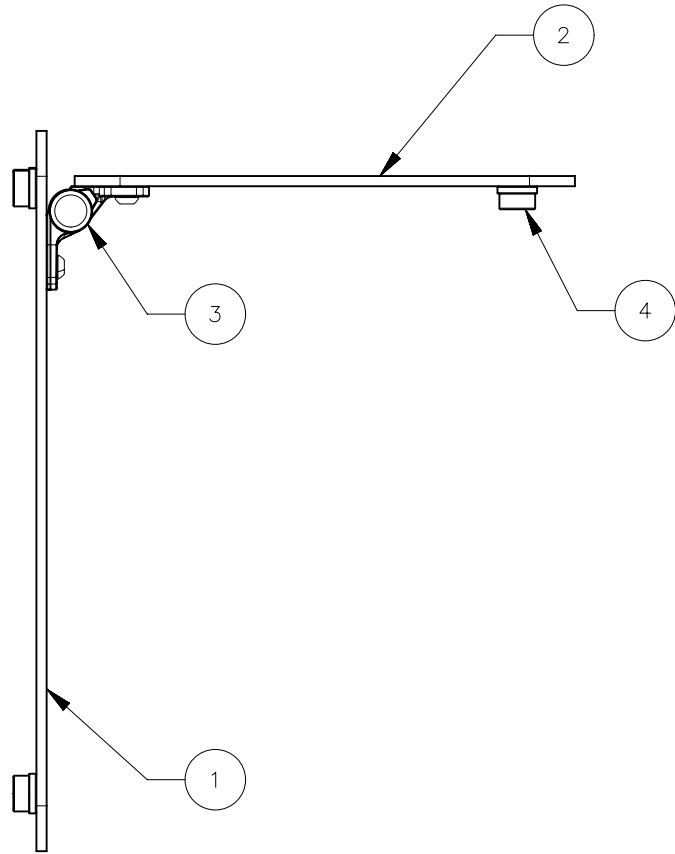
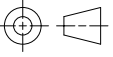



| REVISION HISTORY | | | |
|------------------|-----------|---------|-----------------|
| REV | DATE | BY | DESCRIPTION |
| A | 04DEC2019 | MBT/DMS | PRN: P2019-2934 |



SCALE 1:10

| | | | |
|-----|----------------|-------------------|-----|
| 5 | - | M6 HEX SCREW | 4 |
| 4 | - | BUMPER | 6 |
| 3 | E6-10-650F0-50 | HINGE | 1 |
| 2 | - | SAMPLE PANEL | 1 |
| 1 | - | SAMPLE PANEL | 1 |
| - | 28-E6-15-16 | ASSEMBLY | - |
| NO. | PART NUMBER | TYPE OF COMPONENT | QTY |

| | | | |
|--|--|--|-------------------|
| CPB NUMBER | THIRD ANGLE PROJECTION  |  CONNECT • CREATE • INNOVATE | |
| | MILLIMETERS [IN] | | |
| | TOLERANCES UNLESS OTHERWISE NOTED | DESCRIPTION DEMO PANEL | |
| | ALL DIMENSIONS WITHOUT TOLERANCES ARE FOR REFERENCE ONLY. | SIZE A4 | SYSTEM NX |
| PROPRIETARY ITEM EXCEPT FOR USES EXPRESSLY GRANTED IN WRITING, INFORMATION DISCLOSED HEREON IS CONFIDENTIAL AND ALL RIGHTS, PATENT AND OTHERWISE, ARE RESERVED BY SOUTHCO, INC. | PER ASME Y14.5M-1994 | DWG NO. J-28-E6-15-16 | |
| | | DRAWN BY MBT/DMS | DATE 04DEC2019 |
| | | SCALE 0.3:1 | SHEET 1 OF 1 |