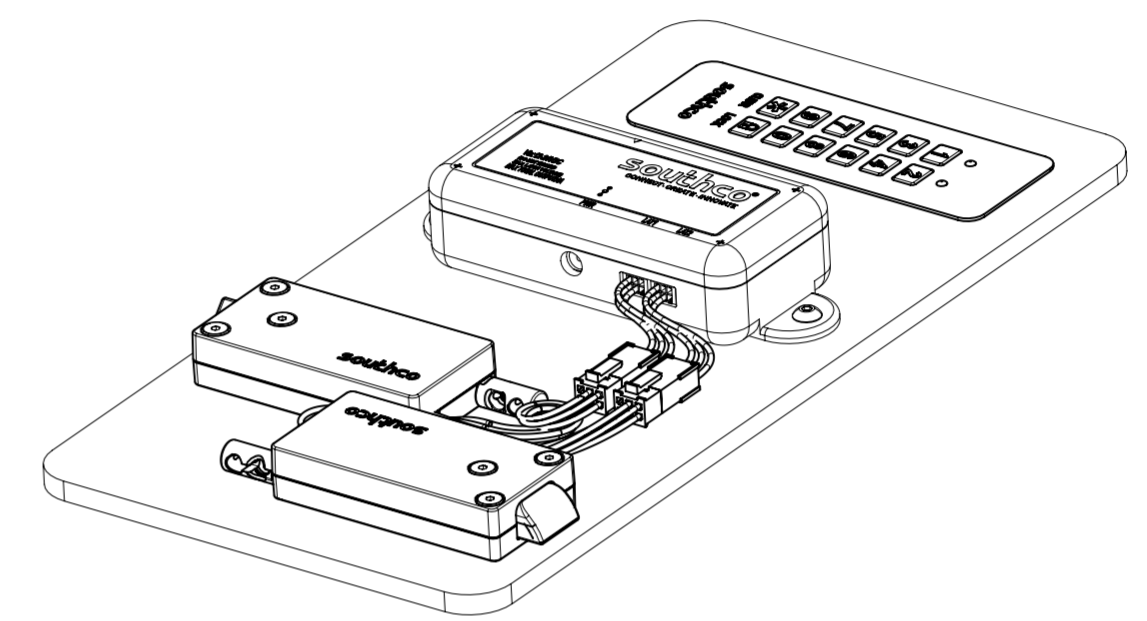
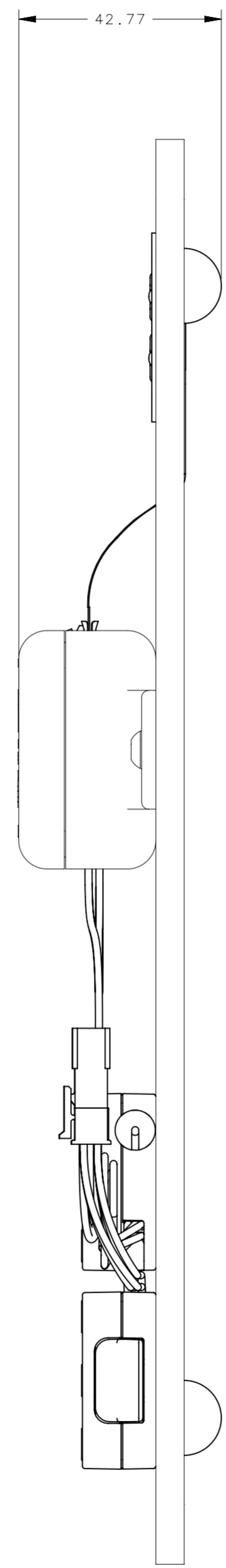
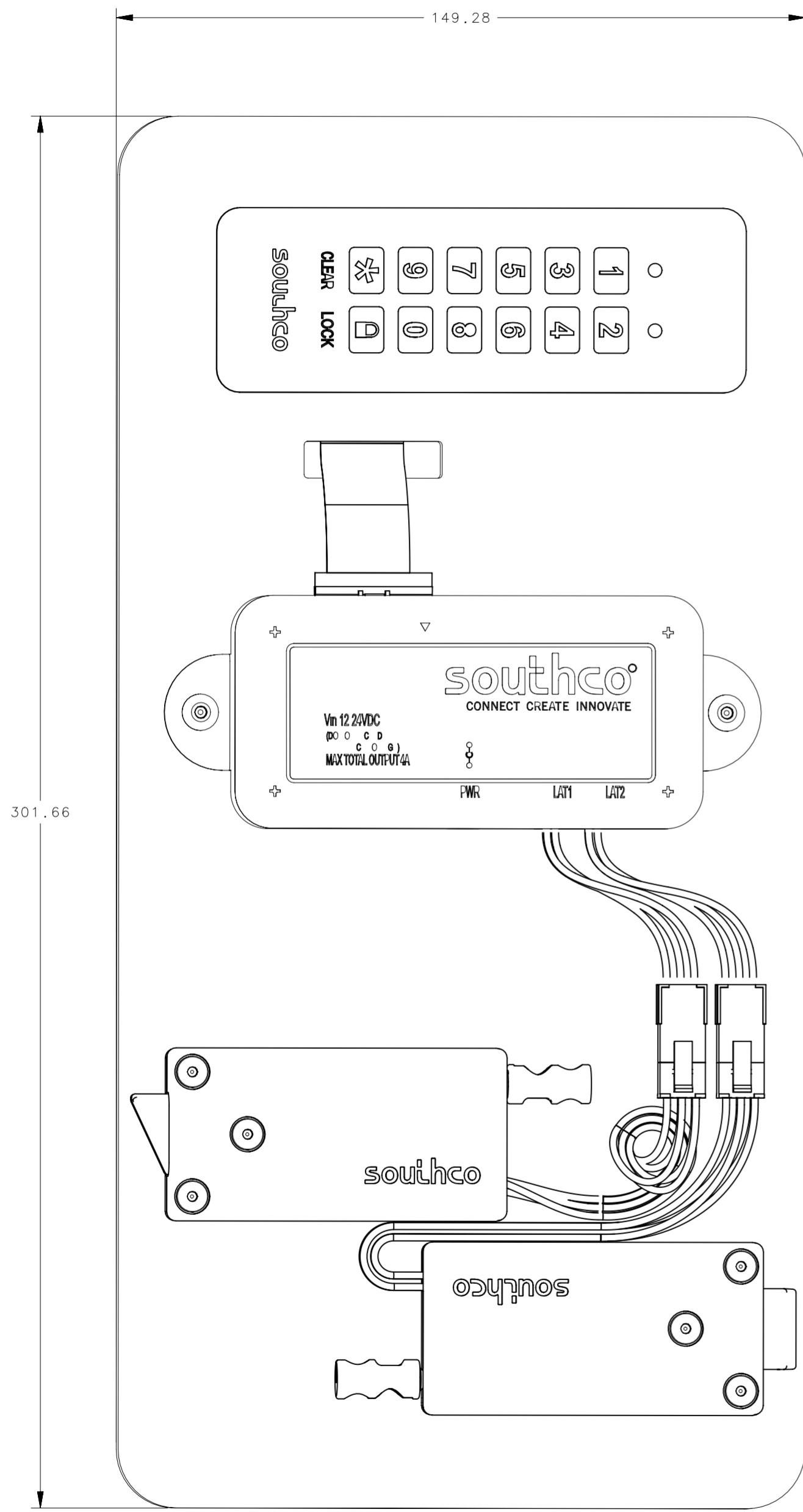


REVISION HISTORY			
REV	DATE	BY	DESCRIPTION
B	05MAR2013	BWB/CLB	PRN: 2013-0293



SCALE 1/2

- NOTES:
 1. INSTRUCTIONS INCLUDED BUT NOT SHOWN (J-EA-KC2-201-M)
 2. USE SOUTHCO APPROVED POWER SUPPLY EA-A02-002 OR EQUIVALENT

ASSEMBLY PART NUMBER: 28-EA-KC2-15-01

No.	PART NUMBER	QTY	TYPE OF COMPONENT
6	J-EA-KC2-201-M	1	KEY PAD CONTROLLER INSTRUCTIONS (NOT SHOWN)
5	EA-W20-A01-01	2	WIRE HARNESS
4	EA-KC2-102	1	VERTICAL MEMBRANE KEY PAD
3	EA-KC2-201	1	KEY PAD CONTROLLER
2	EM-05-21-111	1	MINI KEEPER SIDE MOUNT
1	EM-05-11-111	1	MINI KEEPER FRONT MOUNT

THIRD ANGLE PROJECTION		 CONNECT · CREATE · INNOVATE	
MILLIMETERS [IN]			
TOLERANCES UNLESS OTHERWISE NOTED		DESCRIPTION	
ALL DIMENSIONS WITHOUT TOLERANCES ARE FOR REFERENCE ONLY.		MEMBRANE KEY PAD DEMO	
PROPRIETARY ITEM EXCEPT FOR USES EXPRESSLY GRANTED IN WRITING. INFORMATION DISCLOSED HEREON IS CONFIDENTIAL AND ALL RIGHTS, PATENT AND OTHERWISE, ARE RESERVED BY SOUTHCO, INC.		SIZE	DWG NO.
PER ASME Y14.5M-1994		A2 NX	J-28-EA-KC2-15-01
DRAWN BY		DATE	SCALE SHEET
BWB		15NOV2012	1:1 1 OF 1