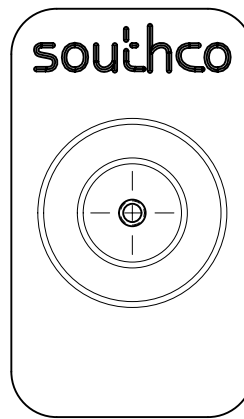
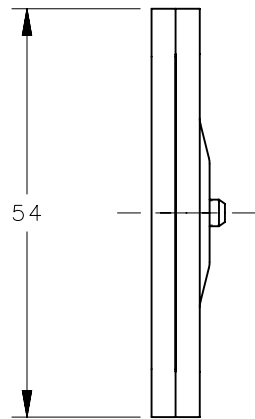
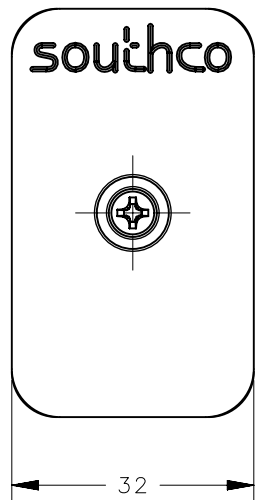
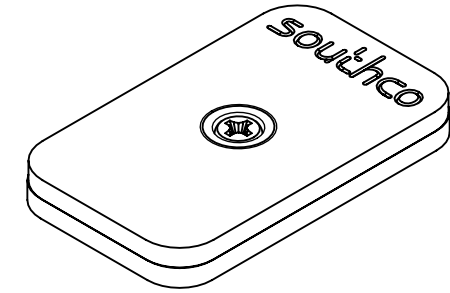
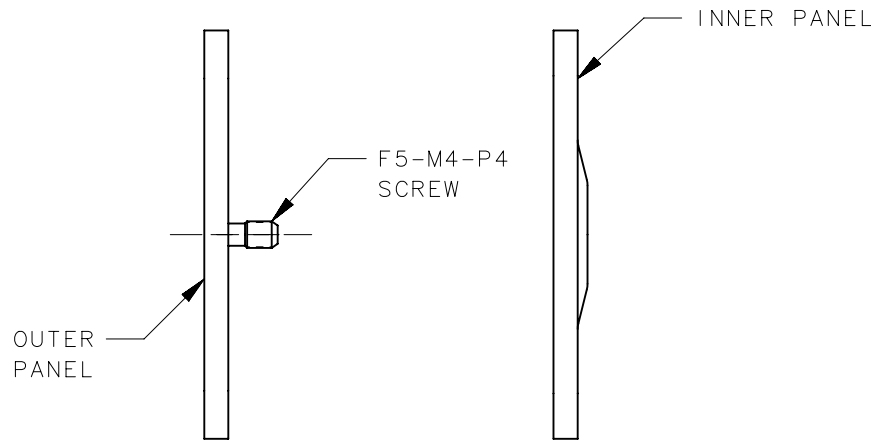


REVISION HISTORY

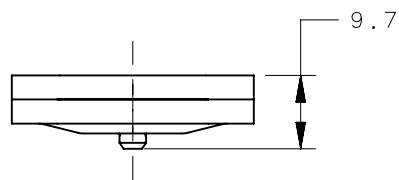
REV	DATE	BY	DESCRIPTION
A	16JUN2014	CDW/MJS	PRN: P2014-1194



NOTE:

A. SAMPLE PANEL ASSEMBLY CONTAINS ONE F5 FLUSH-MOUNT CAPTIVE SCREW ASSEMBLY.

NO.	PART NUMBER	QTY	TYPE OF COMPONENT	MATERIAL	GENERAL NOTES
3		1	SAMPLE PANEL	ALUMINUM	
2	F5-M4-P4	1	SCREW ASSEMBLY	STAINLESS STEEL	
1		1	SAMPLE PANEL	ALUMINUM	
-	28-F5-M4-P	-	ASSEMBLY	-	



THIRD ANGLE PROJECTION			<b>southco</b> <sup>®</sup> CONNECT • CREATE • INNOVATE		
SURFACE AREA	TOLERANCES UNLESS OTHERWISE NOTED		DESCRIPTION SOUTHCO SAMPLE PANEL ASSEMBLY		
VOLUME	ALL DIMENSIONS WITHOUT TOLERANCES ARE FOR REFERENCE ONLY.		F5 CAPTIVE SCREW - M4 No. 1 PHILLIPS RECESS		
PROPRIETARY ITEM EXCEPT FOR USES EXPRESSLY GRANTED IN WRITING, INFORMATION DISCLOSED HEREON IS CONFIDENTIAL AND ALL RIGHTS, PATENT AND OTHERWISE, ARE RESERVED BY SOUTHCO, INC.	PER ASME Y14.5M-1994	SIZE A4	SYSTEM NX	DWG NO. J-28-F5-M4-P	
	DRAWN BY RMO/CDW	DATE 30APR2014	SCALE 1:1	SHEET 1 OF 1	