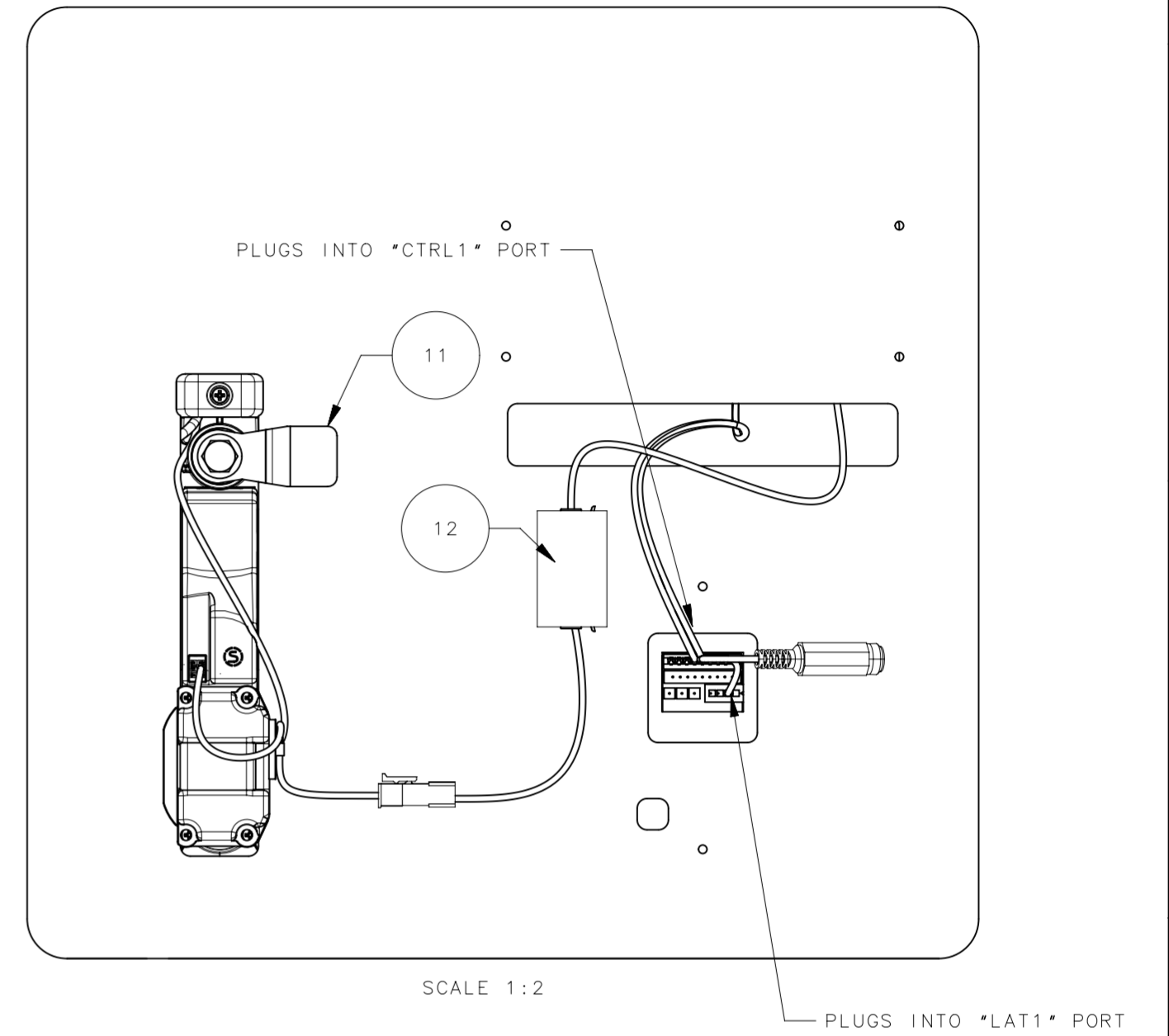
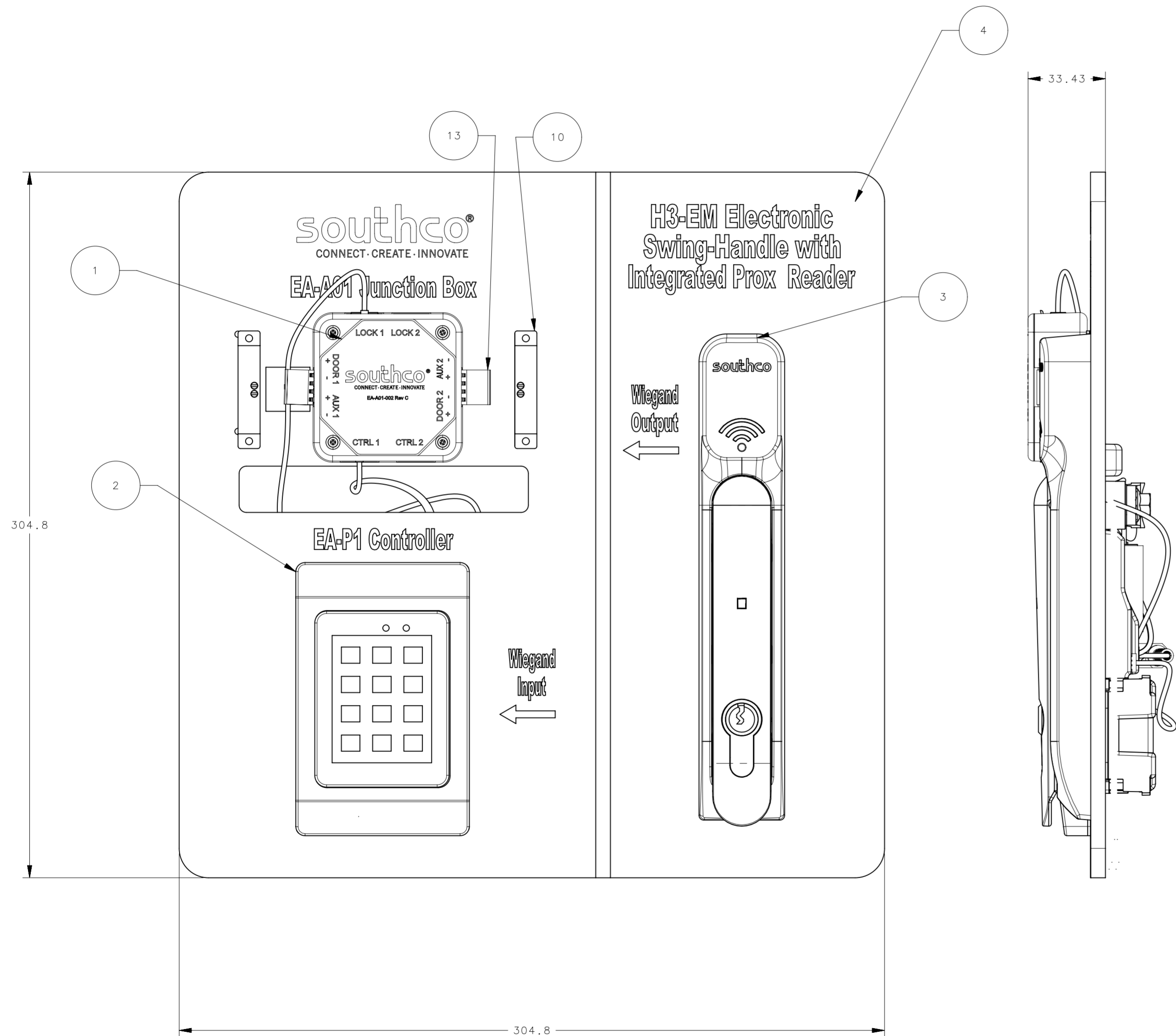


REVISION HISTORY			
REV	DATE	BY	DESCRIPTION
A	14MAY2015	TJW/CLB	PRN: P2015-0925



WIRE ROUTING:  
 1. WIRE #6 IS INSERTED INTO "LAT1" ON JUNCTION BOX AND AT H3 LATCH  
 2. WIRE #7 IS INSERTED INTO "CTRL1" ON JUNCTION BOX AND THE WIDE BLUE PLUG ON THE P1  
 3. WIRE #5 IS INSERTED INTO THE NARROW WHITE PLUG ON THE P1 AND INTO THE P4 WIRE

DIP SWITCHES:  
 1. BOTH SWITCHES ON P1 SHOULD BE "OFF"

ASSEMBLY PART NO: 28-H3-EM-15-03

No.	PART NUMBER	QTY	TYPE OF COMPONENT
13	EA-A20-001	2	CONNECTOR, 4 PIN SCREW
12	EA-A10-004	1	RJ-45 UNION
11	E5-6120	1	CAM
10	EA-99-148	1	DOOR SWITCH
9	J-EA-A01-102	1	SECURITY SYSTEM INTEGRATION KIT USER INSTRUCTIONS (NOT SHOWN)
8	J-H3-EM-68-100-M	1	H3 LATCH USER INSTRUCTIONS (NOT SHOWN)
7	J-EA-P1-01-M	1	P1 PIN PAD USER INSTRUCTIONS (NOT SHOWN)
6	EA-C1-011	2	SUPERVISOR CARD (NOT SHOWN)
5	EA-C2-021-9	2	USER CARD (NOT SHOWN)
4	28-H3-EM-14-03	1	PANEL
3	H3-EM-68-100-10	1	INTEGRATED PROX READER SWINGHANDLE
2	EA-P1-010	1	EA-P1 PIN PAD
1	EA-A01-002	1	H3 INTERCONNECT BOX ASSEMBLY

THIRD ANGLE PROJECTION	
MILLIMETERS [IN]	
TOLERANCES UNLESS OTHERWISE NOTED	DESCRIPTION
ALL DIMENSIONS WITHOUT TOLERANCES ARE FOR REFERENCE ONLY.	H3-EM PANEL WITH HID READER
PROPRIETARY ITEM EXCEPT FOR USES EXPRESSLY GRANTED IN WRITING. INFORMATION DISCLOSED HEREON IS CONFIDENTIAL AND ALL RIGHTS, PATENT AND OTHERWISE, ARE RESERVED BY SOUTHCO, INC.	SIZE SYSTEM DWG NO. J-28-H3-EM-15-03
PER ASME Y14.5M-1994	DRAWN BY: BWB DATE: 09OCT2012 SCALE: 1:1.5 SHEET: 1 OF 1