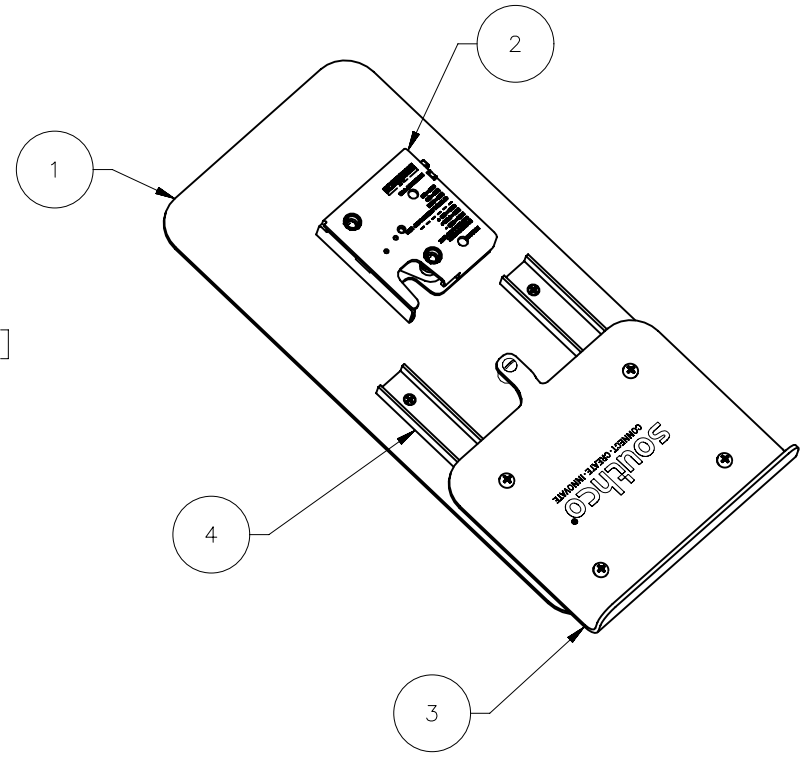
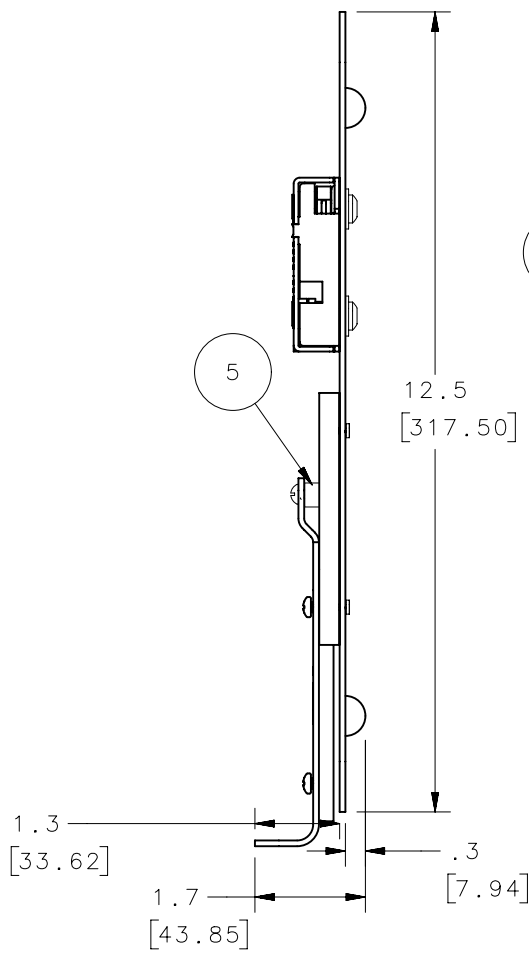
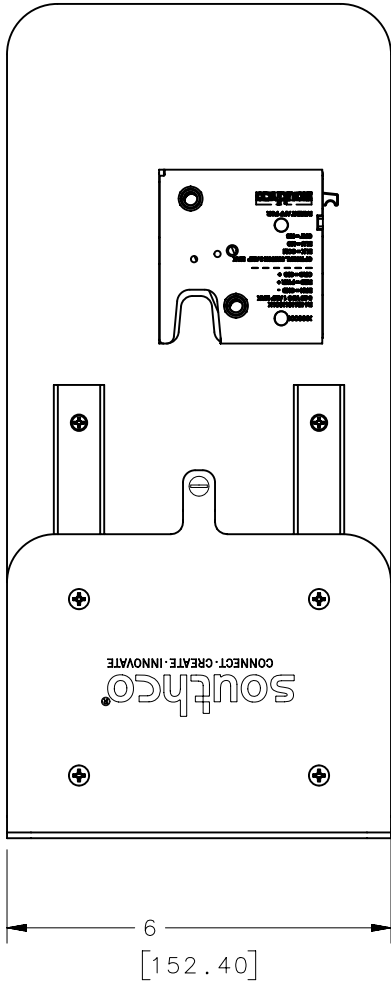


REVISION HISTORY			
REV	DATE	BY	DESCRIPTION
F	18JUL2013	ZNP/DJK	PRN: P2013-1445



5	28-EA-14-09	1	STRIKER	
4	28-EA-14-03	2	SLIDE	
3	28-EA-14-14	1	DRAWER	
2	R4-EM-11-161	1	R4-EM ELECTRONIC ROTARY LATCH	AUTO RELOCK
1	28-R4-EM-14-01	1	PLATE	
NO.	PART NUMBER	QTY	TYPE OF COMPONENT	GENERAL NOTES

THIRD ANGLE PROJECTION		 CONNECT · CREATE · INNOVATE	
INCHES [MM]			
TOLERANCES UNLESS OTHERWISE NOTED		DESCRIPTION R4-EM AUTO RELOCK DEMO PANEL	
ALL DIMENSIONS WITHOUT TOLERANCES ARE FOR REFERENCE ONLY.		SIZE A	SYSTEM NX
<small>PROPRIETARY ITEM EXCEPT FOR USES EXPRESSLY GRANTED IN WRITING, INFORMATION DISCLOSED HEREON IS CONFIDENTIAL AND ALL RIGHTS, PATENT AND OTHERWISE, ARE RESERVED BY SOUTHCO, INC.</small>		DWG NO. J-28-R4-EM-15-01	
PER ASME Y14.5M-1994		DRAWN BY ZNP	DATE 26JULY2012
		SCALE 1:1	SHEET 1 OF 1