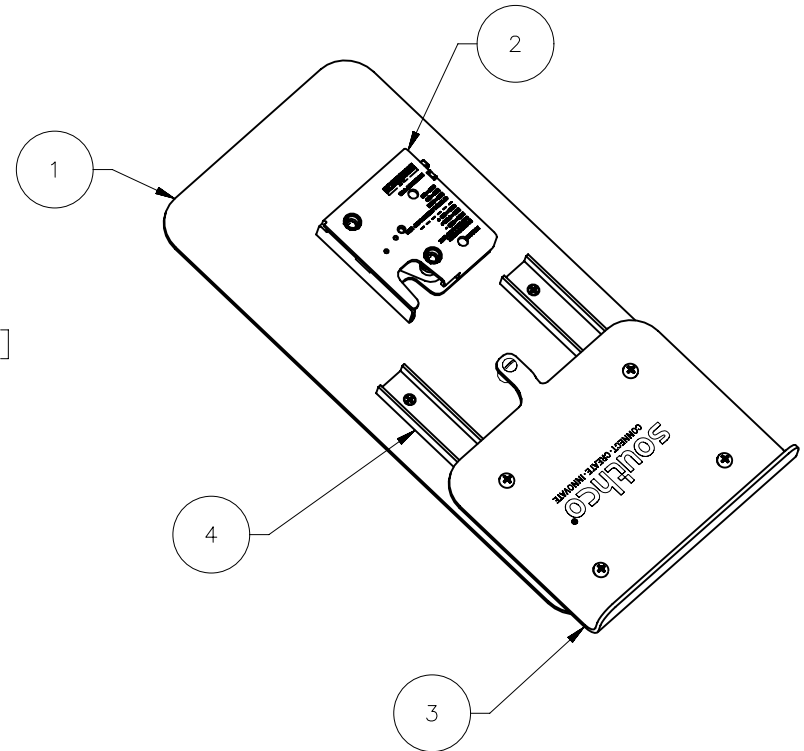
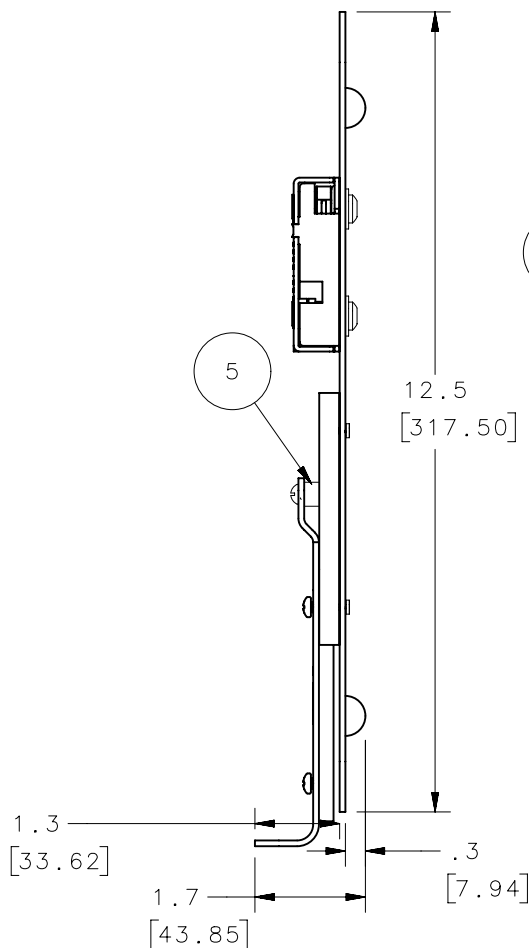
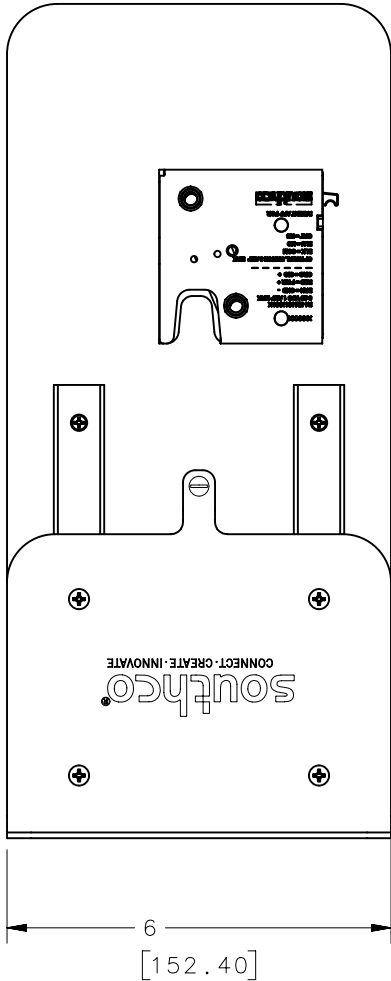


REVISION HISTORY			
REV	DATE	BY	DESCRIPTION
C	18JUL2013	ZNP/DJK	PRN: P2013-1445



NO.	PART NUMBER	QTY	TYPE OF COMPONENT	GENERAL NOTES
5	28-EA-14-09	1	STRIKER	
4	28-EA-14-03	2	SLIDE	
3	28-EA-14-14	1	DRAWER	
2	R4-EM-21-161	1	R4-EM ELECTRONIC ROTARY LATCH	DELAYED RELOCK
1	28-R4-EM-14-01	1	PLATE	

<p>THIRD ANGLE PROJECTION</p> <p>INCHES [MM]</p> <p>TOLERANCES UNLESS OTHERWISE NOTED</p> <p>ALL DIMENSIONS WITHOUT TOLERANCES ARE FOR REFERENCE ONLY.</p> <p>PER ASME Y14.5M-1994</p>			<p><b>southco</b><sup>®</sup></p> <p>CONNECT · CREATE · INNOVATE</p>	
	<p>PROPRIETARY ITEM</p> <p>EXCEPT FOR USES EXPRESSLY GRANTED IN WRITING, INFORMATION DISCLOSED HEREON IS CONFIDENTIAL AND ALL RIGHTS, PATENT AND OTHERWISE, ARE RESERVED BY SOUTHCO, INC.</p>	<p>SIZE</p> <p>A</p>	<p>SYSTEM</p> <p>NX</p>	<p>DWG NO.</p> <p>J-28-R4-EM-15-03</p>
	<p>DRAWN BY</p> <p>ZNP</p>	<p>DATE</p> <p>26JULY2012</p>	<p>SCALE</p> <p>1:1</p>	<p>SHEET</p> <p>1 OF 1</p>