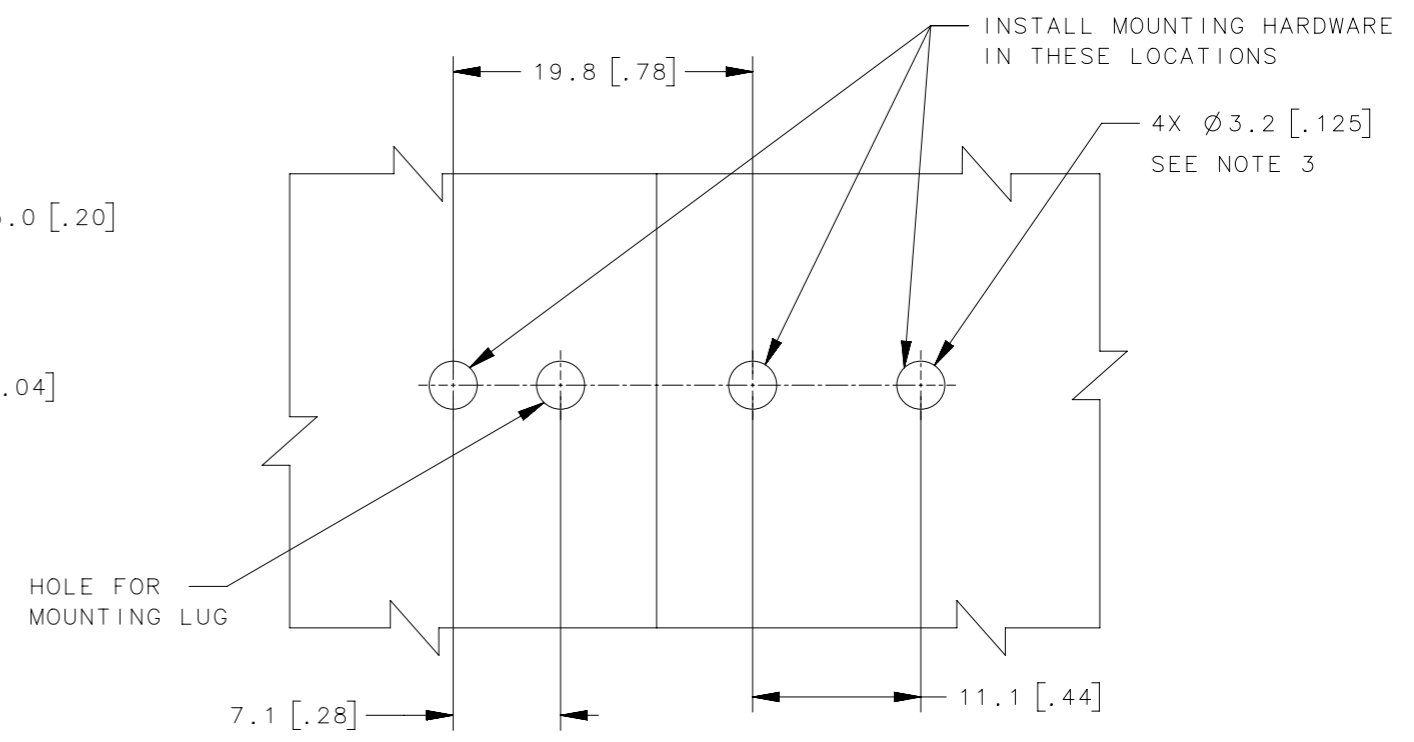
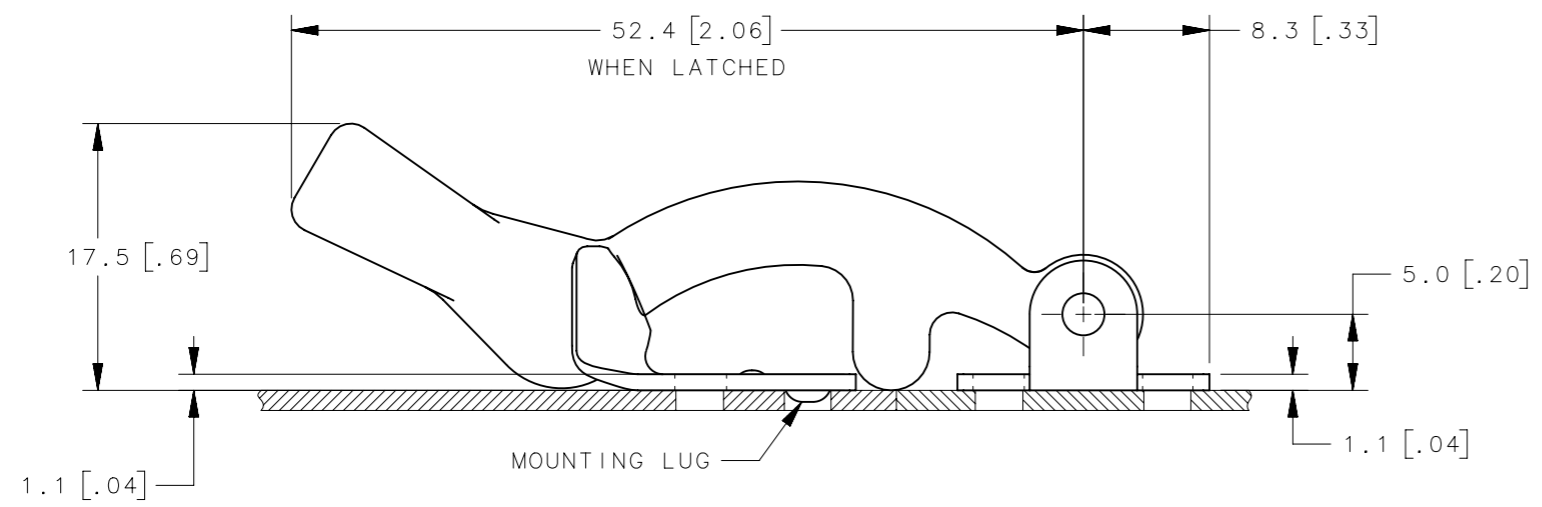
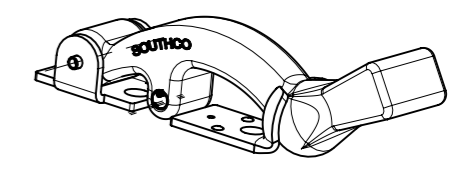
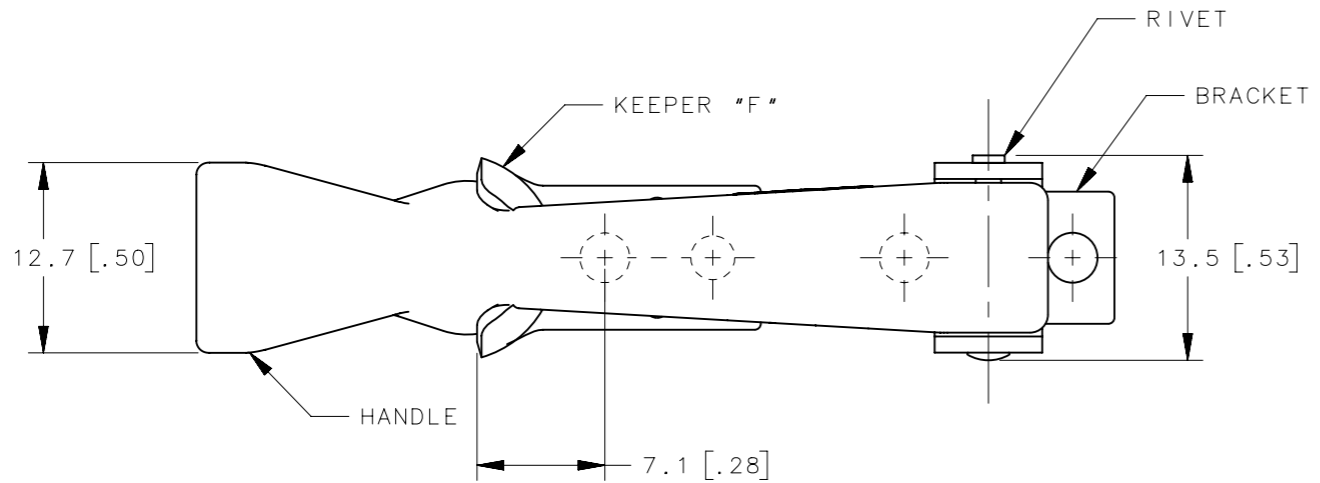
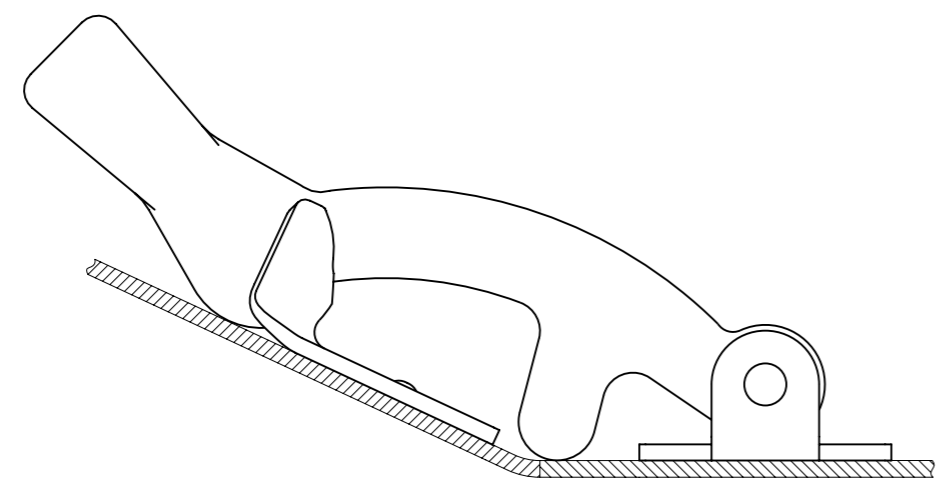


REVISION HISTORY			
REV	DATE	BY	DESCRIPTION
B	23MAY2023	SAK/DMS	PRN:P2023-0949



PANEL PREPARATION



- NOTES:
- LATCH PACKAGED ONE HANDLE SUB-ASSEMBLY AND ONE KEEPER PER BAG. FOR BULK PACKAGING: ORDER HANDLE SUB-ASSEMBLY AND KEEPER PART NUMBERS SEPARATELY.
 - STAINLESS STEEL, PASSIVATE.
 - INSTALL USING THREE M3 OR NO.4 SCREWS (NOT SUPPLIED).

37-15-051-24	KEEPER	-	-	-	SEE NOTE 2
37-11-051-20	HANDLE SUB-ASSEMBLY	EPDM RUBBER, BLACK	SEE NOTE 2	ALUMINUM, NATURAL	-
37-10-051-20	LATCH, ASSEMBLED	-	-	-	-
PART NUMBER	TYPE OF COMPONENT	HANDLE	BRACKET	RIVET	KEEPER
MATERIAL, FINISH					

THIRD ANGLE PROJECTION			 CONNECT • CREATE • INNOVATE		
MILLIMETERS [IN]					
SURFACE AREA	TOLERANCES UNLESS OTHERWISE NOTED	DESCRIPTION			
VOLUME	ALL DIMENSIONS WITHOUT TOLERANCES ARE FOR REFERENCE ONLY.	37 FLEXIBLE DRAW LATCH 050 SERIES, TAB HANDLE			
PROPRIETARY ITEM	PER ASME Y14.5M-1994	SIZE A3	SYSTEM NX	DWG NO. J-37-050	
EXCEPT FOR USES EXPRESSLY GRANTED IN WRITING, INFORMATION DISCLOSED HEREON IS CONFIDENTIAL AND ALL RIGHTS, PATENT AND OTHERWISE, ARE RESERVED BY SOUTHCO, INC.		DRAWN BY DMS/YGC	DATE 13JAN2016	SCALE 2:1	SHEET 1 OF 1