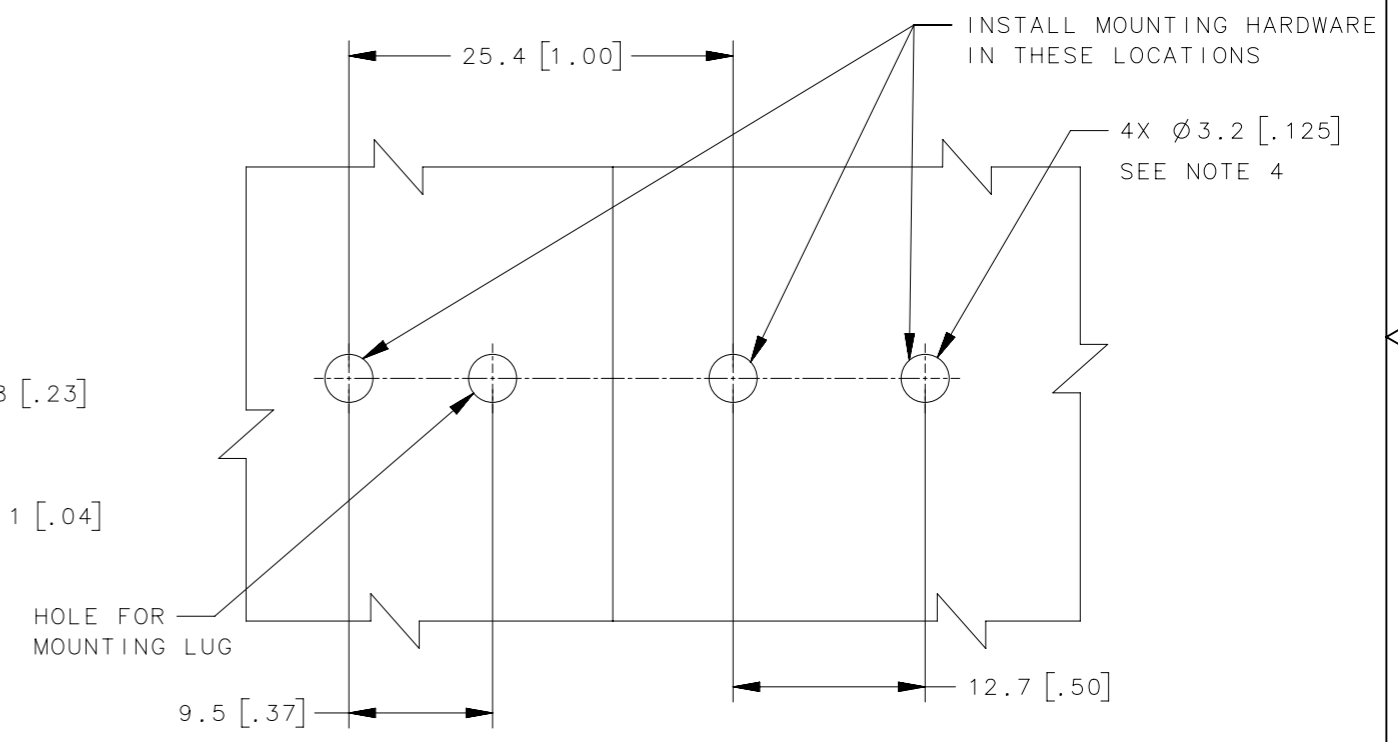
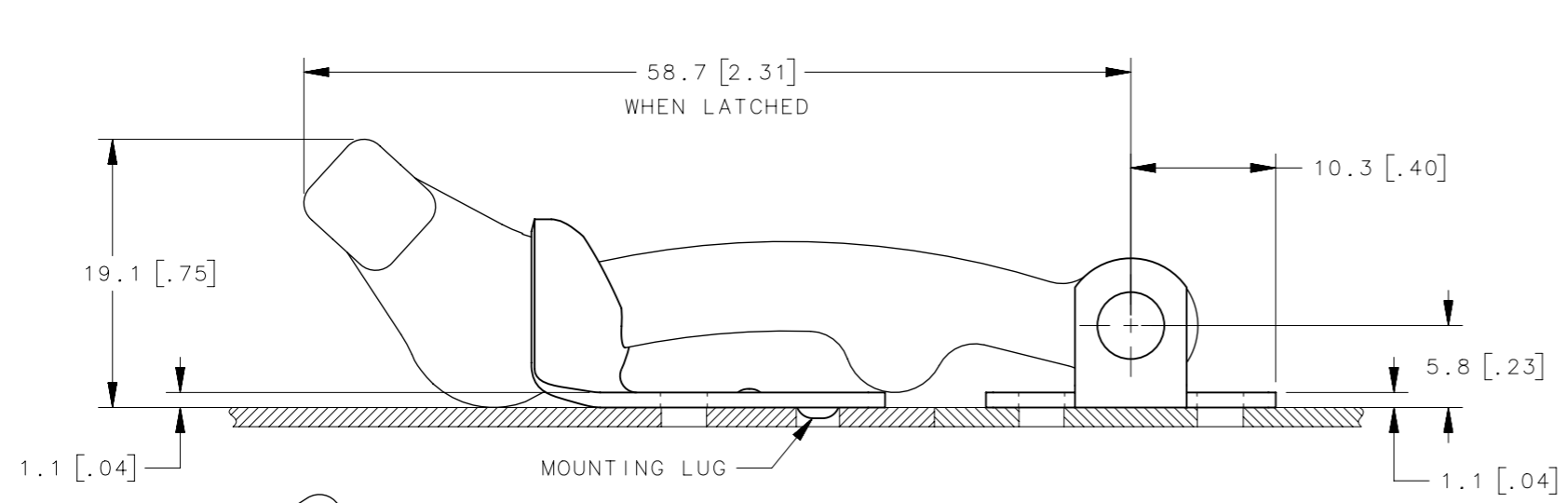
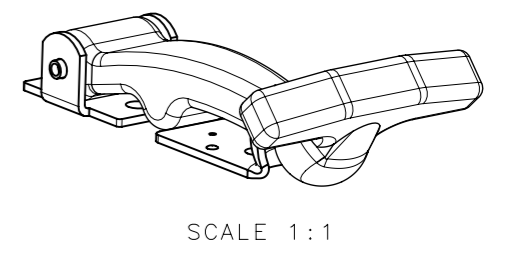
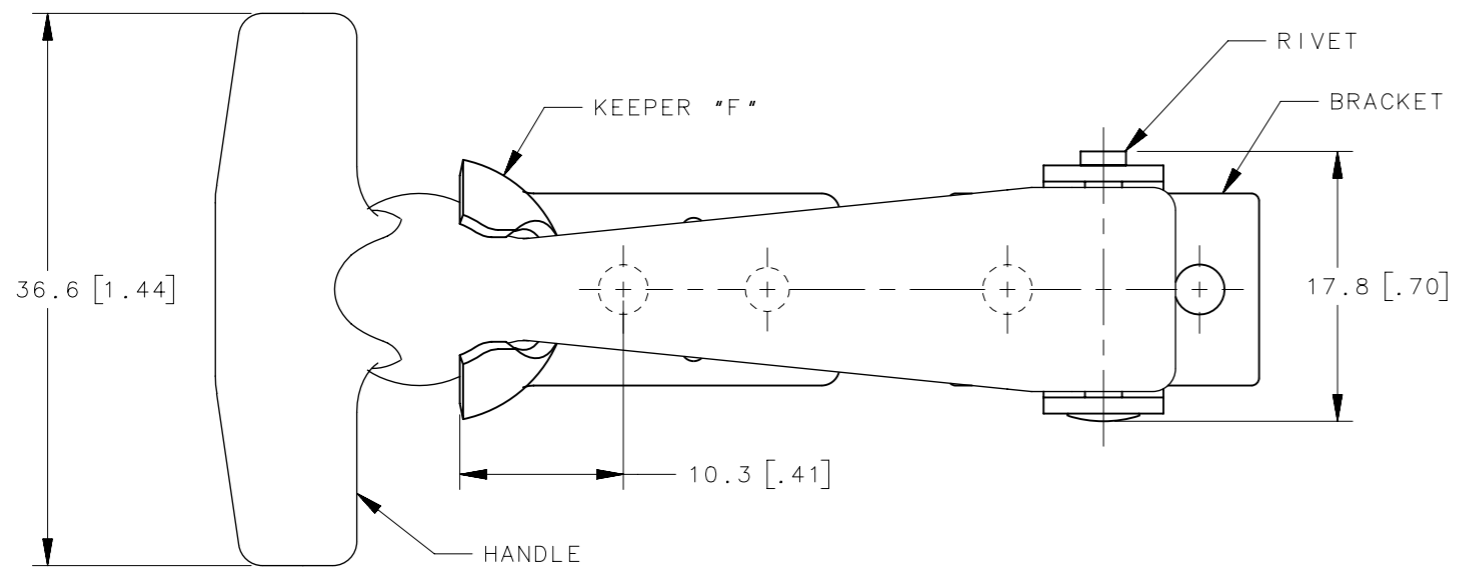
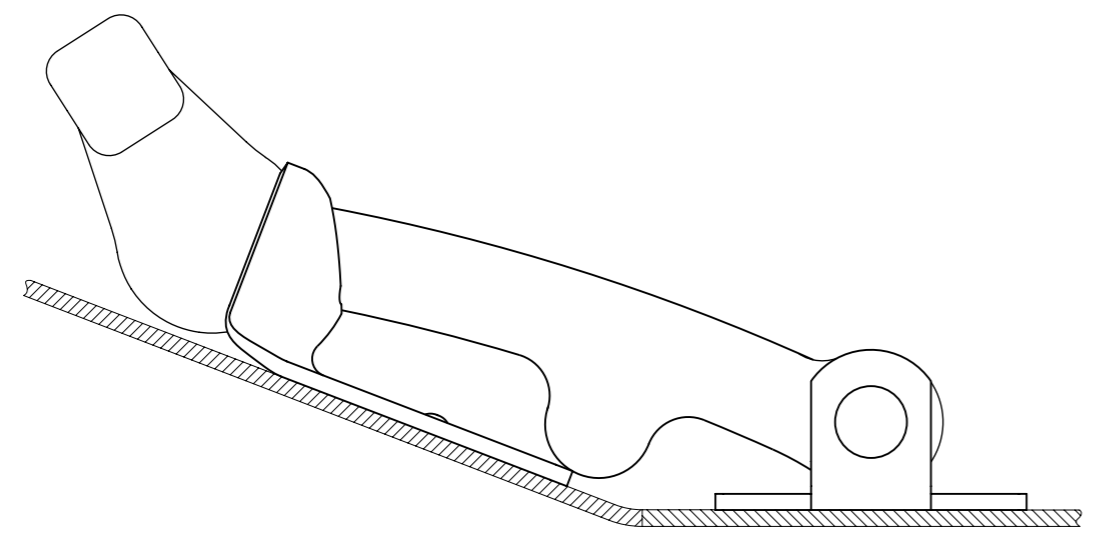


REVISION HISTORY			
REV	DATE	BY	DESCRIPTION
B	23MAY2023	SAK/DMS	PRN:P2023-0949



PANEL PREPARATION



SUITABLE FOR NON-COPLANAR MOUNTING

- NOTES:
- LATCH PACKAGED ONE HANDLE SUB-ASSEMBLY AND ONE KEEPER PER BAG. FOR BULK PACKAGING: ORDER HANDLE SUB-ASSEMBLY AND KEEPER PART NUMBERS SEPARATELY.
 - STEEL, ZINC PLATE, BRIGHT CHROMATE PLUS SEALER.
 - STAINLESS STEEL, PASSIVATED.
 - INSTALL USING THREE M3 OR NO.4 SCREWS (NOT SUPPLIED).

37-15-061-24	KEEPER	-	-	-	SEE NOTE 3
37-11-065-20	HANDLE SUB-ASSEMBLY	EPDM RUBBER, BLACK	SEE NOTE 3	ALUMINUM, NATURAL	-
37-10-065-20	LATCH, ASSEMBLED	-	-	-	-
37-15-061-17	KEEPER	-	-	-	SEE NOTE 2
37-11-065-10	HANDLE SUB-ASSEMBLY	EPDM RUBBER, BLACK	SEE NOTE 2	ALUMINUM, NATURAL	-
37-10-065-10	LATCH, ASSEMBLED	-	-	-	-
PART NUMBER	TYPE OF COMPONENT	HANDLE	BRACKET	RIVET	KEEPER
MATERIAL, FINISH					

THIRD ANGLE PROJECTION		 southco [®] CONNECT • CREATE • INNOVATE			
MILLIMETERS [IN]					
TOLERANCES UNLESS OTHERWISE NOTED		DESCRIPTION			
ALL DIMENSIONS WITHOUT TOLERANCES ARE FOR REFERENCE ONLY.		37 FLEXIBLE DRAW LATCH 060 SERIES, T-HANDLE			
PROPRIETARY ITEM		SIZE	SYSTEM	DWG NO.	
EXCEPT FOR USES EXPRESSLY GRANTED IN WRITING, INFORMATION DISCLOSED HEREON IS CONFIDENTIAL AND ALL RIGHTS, PATENT AND OTHERWISE, ARE RESERVED BY SOUTHCO, INC.		A3	NX	J-37-065	
PER ASME Y14.5M-1994		DRAWN BY	DATE	SCALE	SHEET
		DMS/YGC	13JAN2016	2:1	1 OF 1