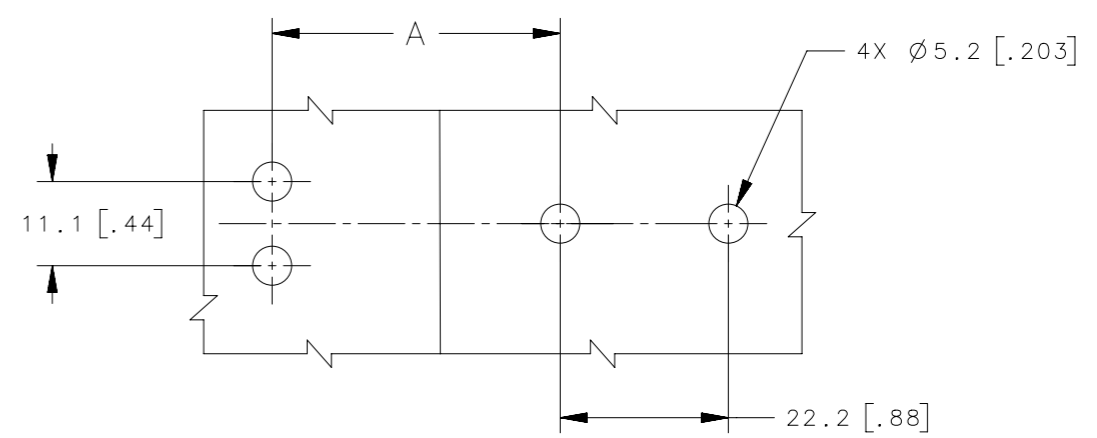
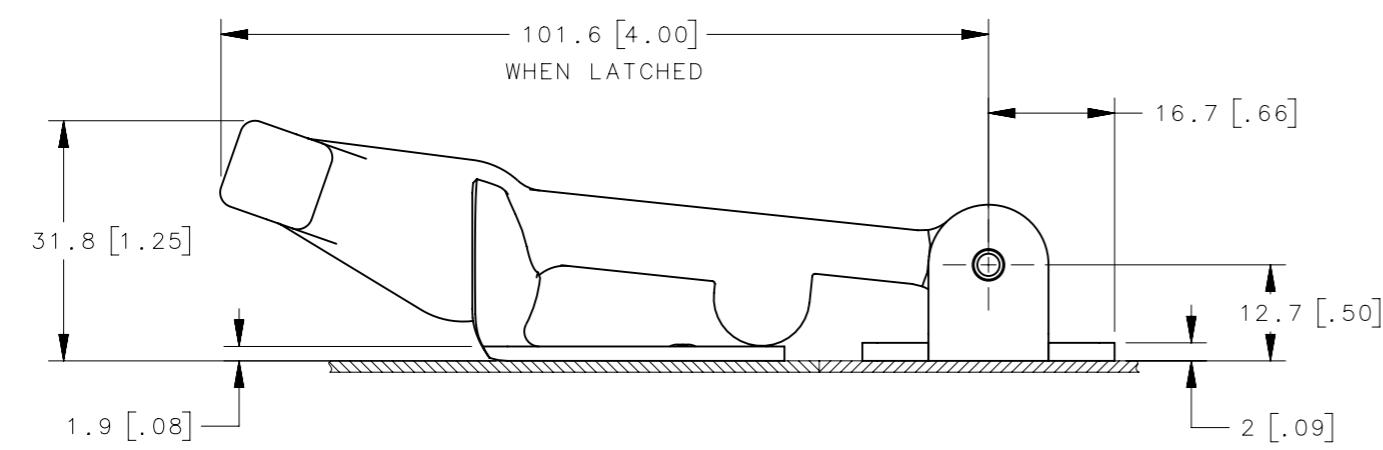
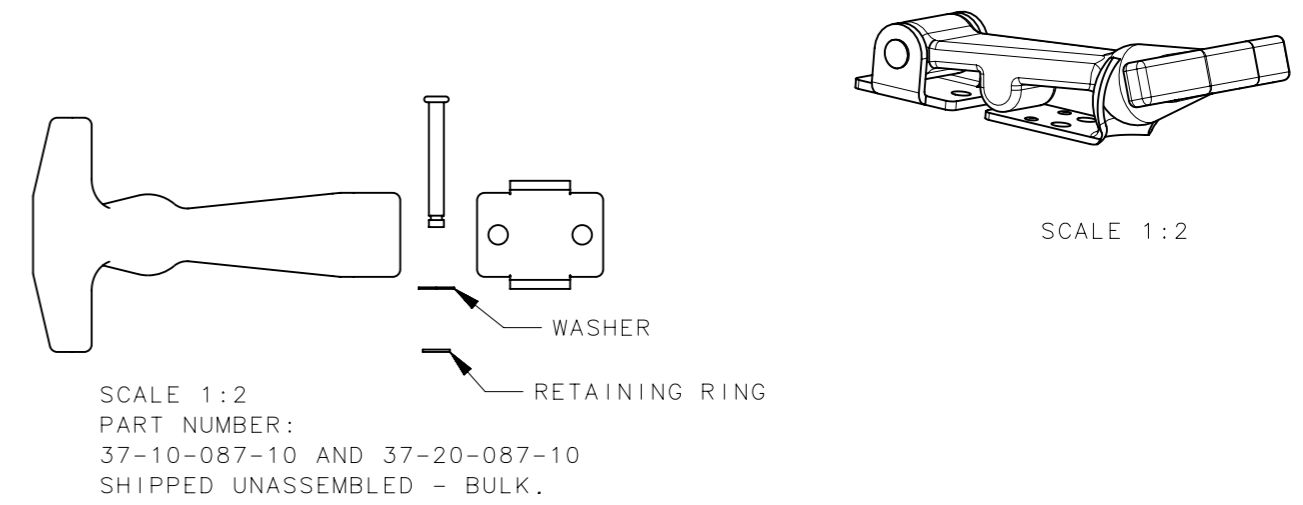
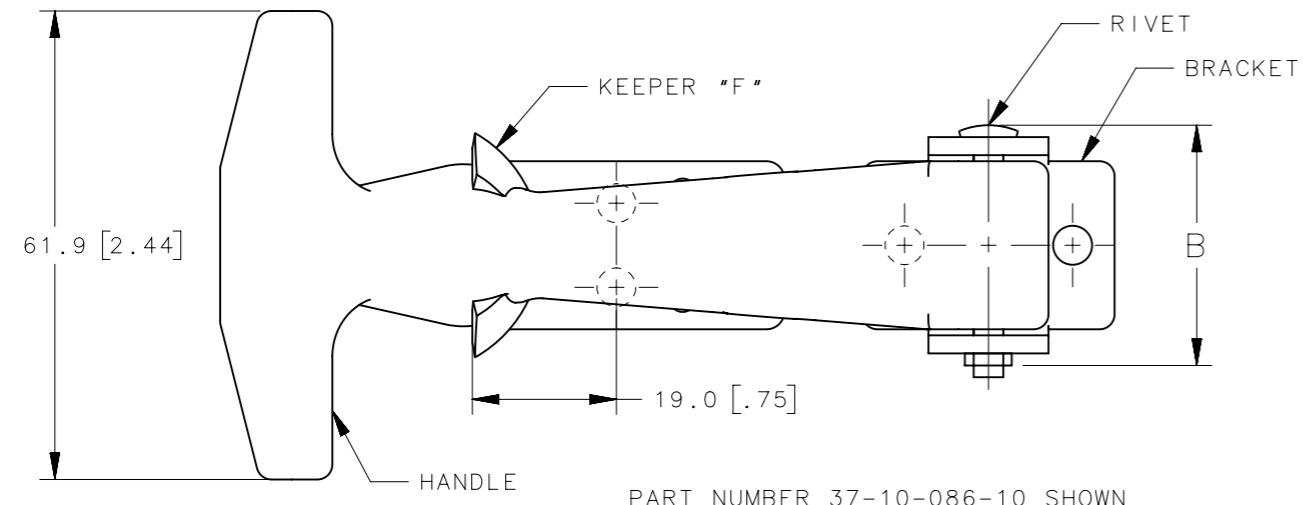
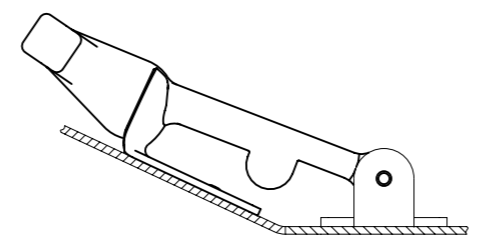
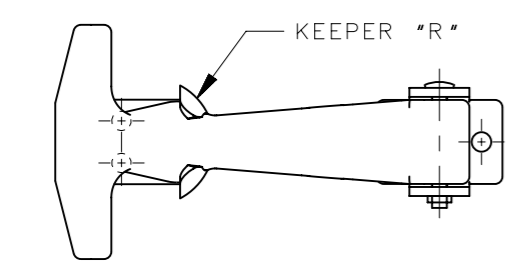


REVISION HISTORY			
REV	DATE	BY	DESCRIPTION
C	24MAY2023	SAK/DMS	PRN:P2023-0949



PANEL PREPARATION



PART NUMBER 37-20-086-10 SHOWN
SCALE 1:2

SUITABLE FOR NON-COPLANAR MOUNTING
SCALE 1:2

37-20-087-10	LATCH SHIPPED UNASSEMBLED	EPDM RUBBER, BLACK	SEE NOTE 2	SEE NOTE 2	SEE NOTE 2	R	73[2.88]	34.1[1.34]
37-10-087-10	LATCH SHIPPED UNASSEMBLED	EPDM RUBBER, BLACK	SEE NOTE 2	SEE NOTE 2	SEE NOTE 2	F	38.1[1.50]	34.1[1.34]
37-25-086-24	KEEPER	-	-	-	SEE NOTE 3	R	-	-
37-11-086-20	HANDLE SUB-HANDLE ASSEMBLY	EPDM RUBBER, BLACK	SEE NOTE 3	SEE NOTE 3	-	-	-	-
37-20-086-20	LATCH, ASSEMBLED	-	-	-	-	-	73[2.88]	31.8[1.25]
37-25-086-17	KEEPER	-	-	-	SEE NOTE 2	R	-	-
37-11-086-10	HANDLE SUB-HANDLE ASSEMBLY	EPDM RUBBER, BLACK	SEE NOTE 2	ALUMINUM, NATURAL	-	-	-	-
37-20-086-10	LATCH, ASSEMBLED	-	-	-	-	-	73[2.88]	31.8[1.25]
37-15-086-24	KEEPER	-	-	-	SEE NOTE 3	F	-	-
37-11-086-20	HANDLE SUB-HANDLE ASSEMBLY	EPDM RUBBER, BLACK	SEE NOTE 3	SEE NOTE 3	-	-	-	-
37-10-086-20	LATCH, ASSEMBLED	-	-	-	-	-	38.1[1.50]	31.8[1.25]
37-15-086-17	KEEPER	-	-	-	SEE NOTE 2	F	-	-
37-11-086-10	HANDLE SUB-HANDLE ASSEMBLY	EPDM RUBBER, BLACK	SEE NOTE 2	ALUMINUM, NATURAL	-	-	-	-
37-10-086-10	LATCH, ASSEMBLED	-	-	-	-	-	38.1[1.50]	31.8[1.25]
PART NUMBER	TYPE OF COMPONENT	HANDLE	BRACKET	RIVET/STUD	KEEPER	KEEPER TYPE	A	B
			MATERIAL, FINISH					

- NOTES:
- LATCH PACKAGED ONE HANDLE SUB-ASSEMBLY AND ONE KEEPER PER BAG.
FOR BULK PACKAGING: ORDER HANDLE SUB-ASSEMBLY AND KEEPER PART NUMBERS SEPARATELY.
 - STEEL, ZINC PLATE, BRIGHT CHROMATE PLUS SEALER.
 - STAINLESS STEEL, PASSIVATED.

THIRD ANGLE PROJECTION		
MILLIMETERS [IN]		
SURFACE AREA	TOLERANCES UNLESS OTHERWISE NOTED	DESCRIPTION
VOLUME	ALL DIMENSIONS WITHOUT TOLERANCES ARE FOR REFERENCE ONLY.	37 FLEXIBLE DRAW LATCH 080 SERIES, T-HANDLE
PROPRIETARY ITEM	PER ASME Y14.5M-1994	SIZE: A3 SYSTEM: NX DWG NO.: J-37-080
EXCEPT FOR USES EXPRESSLY GRANTED IN WRITING, INFORMATION DISCLOSED HEREON IS CONFIDENTIAL AND ALL RIGHTS, PATENT AND OTHERWISE, ARE RESERVED BY SOUTHCO, INC.	DRAWN BY: DMS/YGC DATE: 13JAN2016 SCALE: 1:1 SHEET: 1 OF 1	