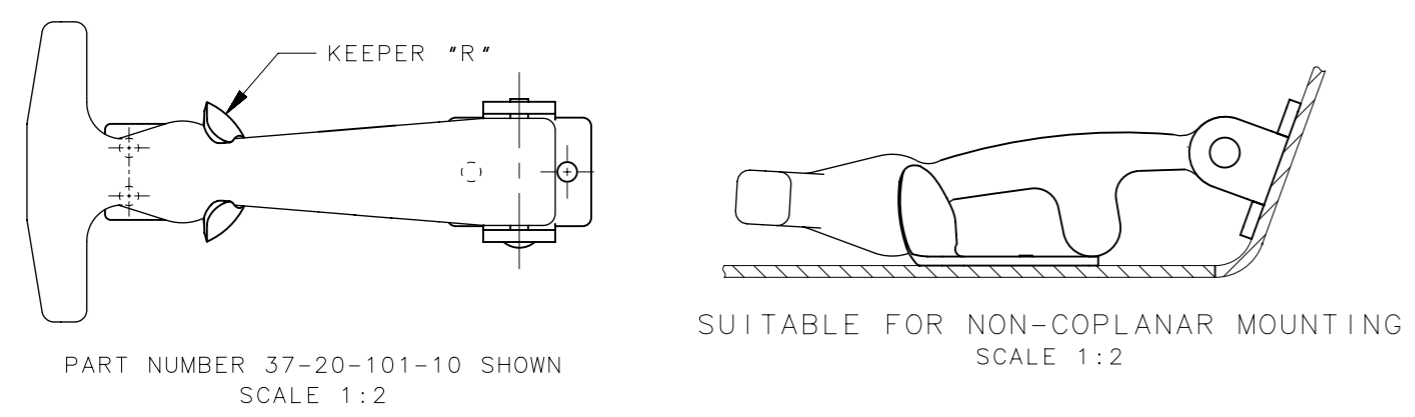
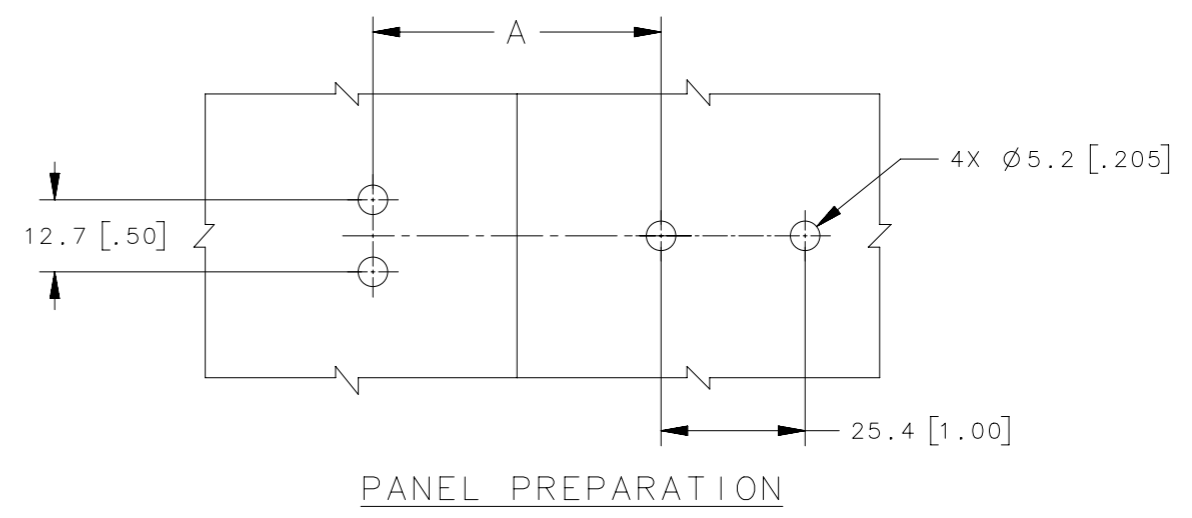
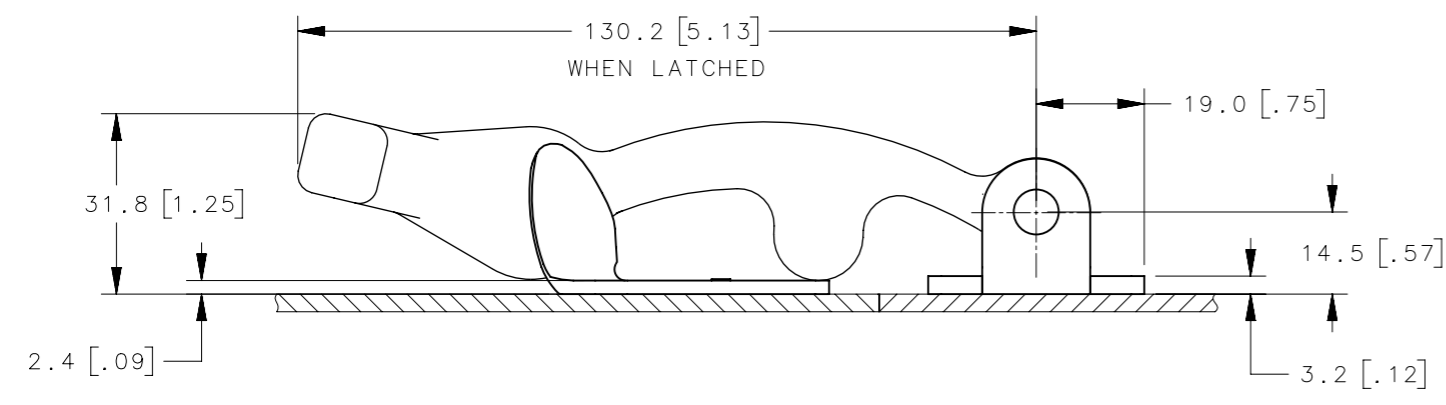
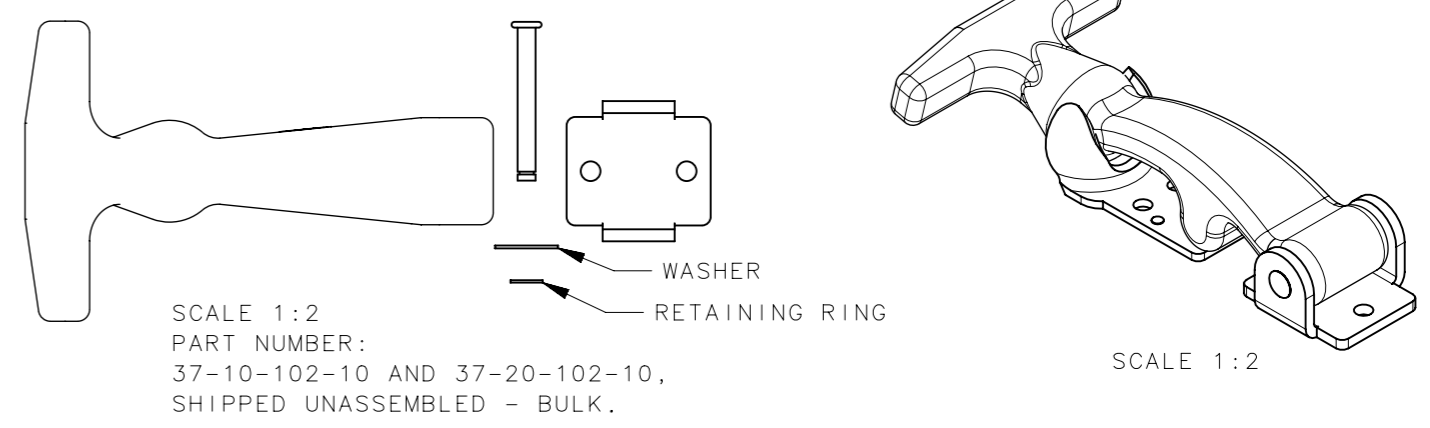
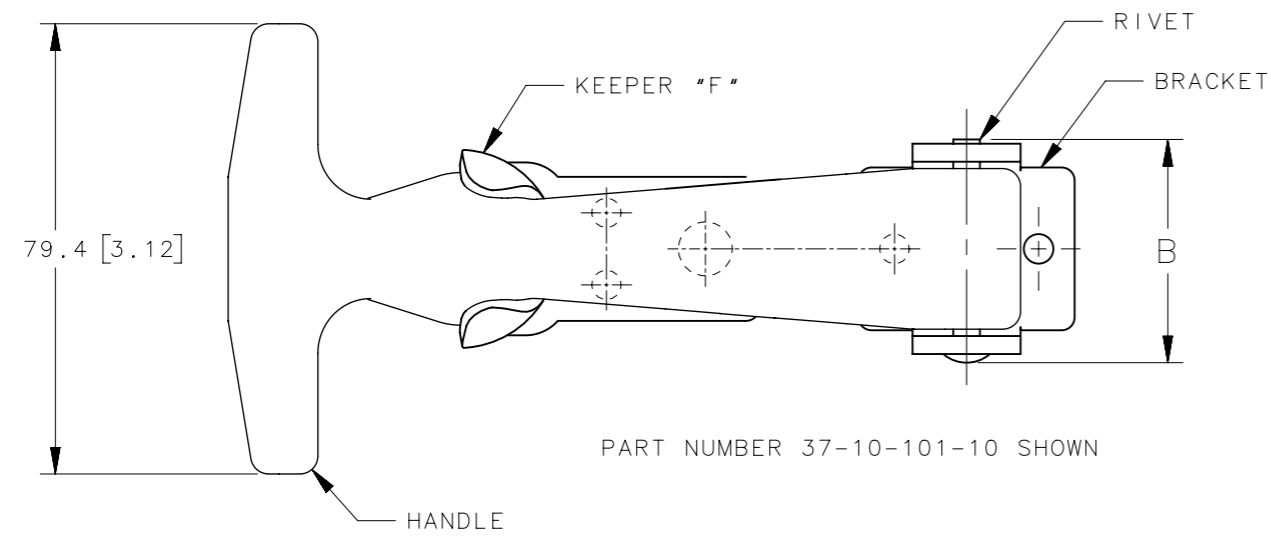


REVISION HISTORY			
REV	DATE	BY	DESCRIPTION
D	24MAY2023	SAK/DMS	PRN:P2023-0949



37-10-101-10-P	LATCH ASSEMBLY, SEE NOTE 4	-	-	-	-	-	50.8[2.00]	39.3[1.55]
37-20-102-10	LATCH SHIPPED UNASSEMBLED	EPDM RUBBER, BLACK	SEE NOTE 2	SEE NOTE 2	SEE NOTE 2	R	90.5[3.56]	42.1[1.66]
37-10-102-10	LATCH SHIPPED UNASSEMBLED	EPDM RUBBER, BLACK	SEE NOTE 2	SEE NOTE 2	SEE NOTE 2	F	50.8[2.00]	42.1[1.66]
37-25-101-24	KEEPER	-	-	-	SEE NOTE 3	R	-	-
37-11-101-20	HANDLE SUB-ASSEMBLY	EPDM RUBBER, BLACK	SEE NOTE 3	SEE NOTE 3	-	-	-	-
37-20-101-20	LATCH, ASSEMBLED	-	-	-	-	-	90.5[3.56]	39.3[1.55]
37-15-101-24	KEEPER	-	-	-	SEE NOTE 3	F	-	-
37-11-101-20	HANDLE SUB-ASSEMBLY	EPDM RUBBER, BLACK	SEE NOTE 3	SEE NOTE 3	-	-	-	-
37-10-101-20	LATCH, ASSEMBLED	-	-	-	-	-	50.8[2.00]	39.3[1.55]
37-25-101-17	KEEPER	-	-	-	SEE NOTE 2	R	-	-
37-11-101-10	HANDLE SUB-ASSEMBLY	EPDM RUBBER, BLACK	SEE NOTE 2	ALUMINUM, NATURAL	-	-	-	-
37-20-101-10	LATCH, ASSEMBLED	-	-	-	-	-	90.5[3.56]	39.3[1.55]
37-15-101-17	KEEPER	-	-	-	SEE NOTE 2	F	-	-
37-11-101-10	HANDLE SUB-ASSEMBLY	EPDM RUBBER, BLACK	SEE NOTE 2	ALUMINUM, NATURAL	-	-	-	-
37-10-101-10	LATCH, ASSEMBLED	-	-	-	-	-	50.8[2.00]	39.3[1.55]
PART NUMBER	TYPE OF COMPONENT	HANDLE	BRACKET	RIVET/STUD	KEEPER	KEEPER TYPE	A	B
		MATERIAL, FINISH						

- NOTES:
- LATCH AND KEEPER SHIPPED SEPARATELY, BULK.
 - STEEL, ZINC PLATE, BRIGHT CHROMATE PLUS SEALER.
 - STAINLESS STEEL, PASSIVATED.
 - 37-10-101-10-P IS PACKAGED ONE LATCH AND ONE KEEPER PER BAG.

THIRD ANGLE PROJECTION	 CONNECT • CREATE • INNOVATE	
MILLIMETERS [IN]		
SURFACE AREA	TOLERANCES UNLESS OTHERWISE NOTED	DESCRIPTION
VOLUME	ALL DIMENSIONS WITHOUT TOLERANCES ARE FOR REFERENCE ONLY.	37 FLEXIBLE DRAW LATCH 100 SERIES, T-HANDLE
PROPRIETARY ITEM	PER ASME Y14.5M-1994	SIZE A3 SYSTEM NX DWG NO. J-37-100
EXCEPT FOR USES EXPRESSLY GRANTED IN WRITING, INFORMATION DISCLOSED HEREON IS CONFIDENTIAL AND ALL RIGHTS, PATENT AND OTHERWISE, ARE RESERVED BY SOUTHCO, INC.	DRAWN BY DMS/YGC DATE 24NOV2015 SCALE 0.75:1 SHEET 1 OF 1	