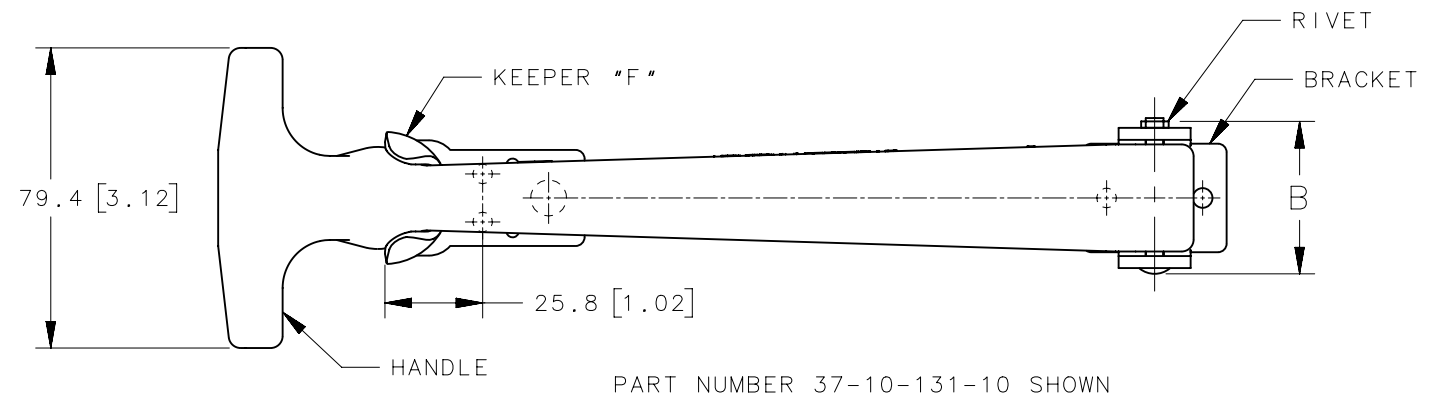
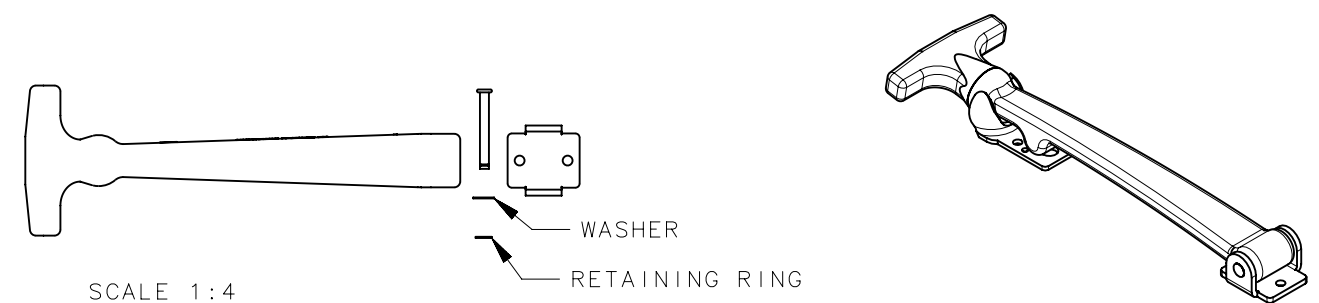


REVISION HISTORY			
REV	DATE	BY	DESCRIPTION
B	24MAY2023	SAK/DMS	PRN:P2023-0949

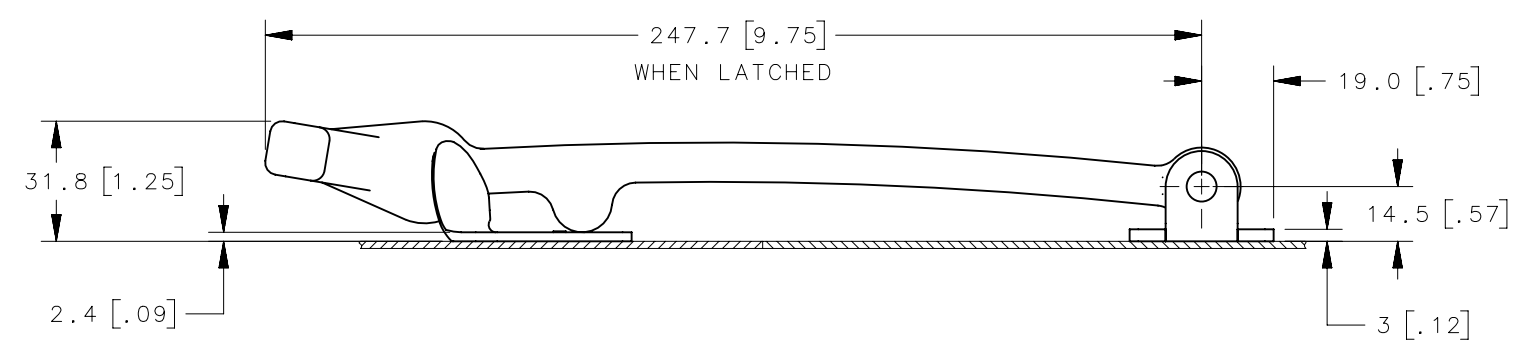


PART NUMBER 37-10-131-10 SHOWN

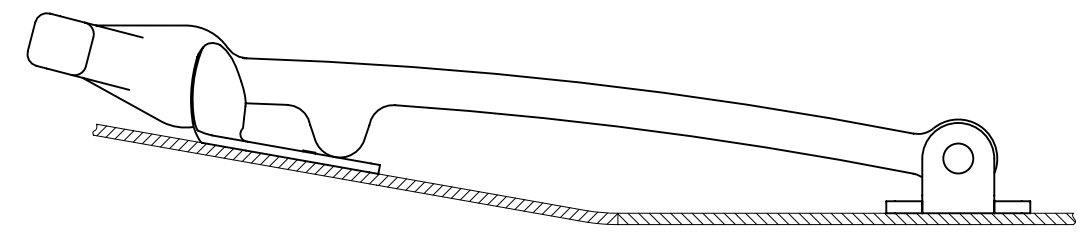
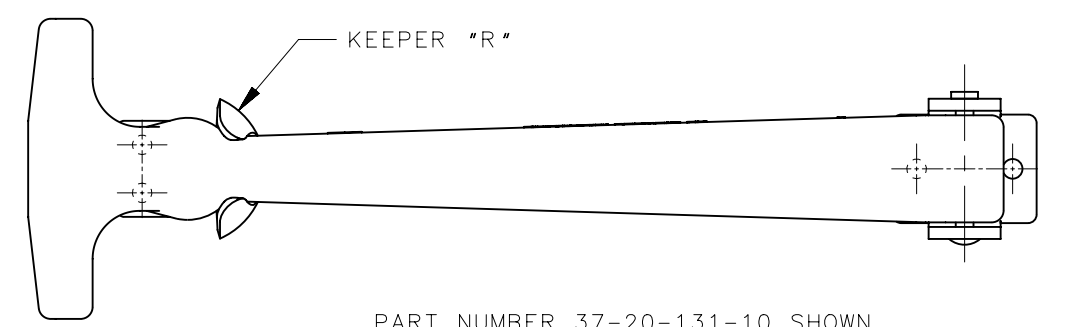


SCALE 1:4  
PART NUMBER:  
37-10-132-10 AND 37-20-132-10,  
SHIPPED UNASSEMBLED - BULK.

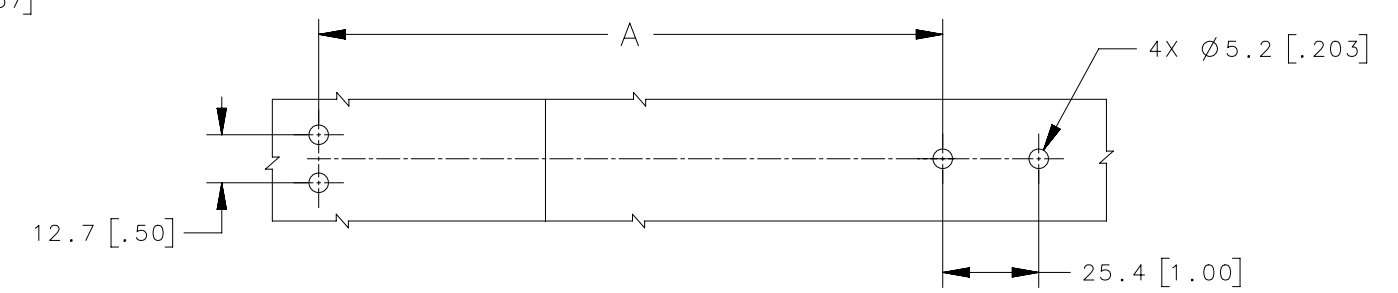
SCALE 1:4



PART NUMBER 37-20-131-10 SHOWN



SUITABLE FOR NON-COPLANAR MOUNTING



**PANEL PREPARATION**

37-20-132-10	LATCH SHIPPED UNASSEMBLED	EPDM RUBBER, BLACK	SEE NOTE 2	SEE NOTE 2	SEE NOTE 2	R	204.8[8.06]	42.1[1.66]
37-10-132-10	LATCH SHIPPED UNASSEMBLED	EPDM RUBBER, BLACK	SEE NOTE 2	SEE NOTE 2	SEE NOTE 2	F	165.1[6.50]	42.1[1.66]
37-25-101-24	KEEPER	-	-	-	SEE NOTE 3	R	-	-
37-11-131-20	HANDLE SUB-ASSEMBLY	EPDM RUBBER, BLACK	SEE NOTE 3	SEE NOTE 3	-	-	-	-
37-20-131-20	LATCH, ASSEMBLED	-	-	-	-	-	204.8[8.06]	39.3[1.55]
37-25-101-17	KEEPER	-	-	-	SEE NOTE 2	R	-	-
37-11-131-10	HANDLE SUB-ASSEMBLY	EPDM RUBBER, BLACK	SEE NOTE 2	ALUMINUM, NATURAL	-	-	-	-
37-20-131-10	LATCH, ASSEMBLED	-	-	-	-	-	204.8[8.06]	39.3[1.55]
37-15-101-24	KEEPER	-	-	-	SEE NOTE 3	F	-	-
37-11-131-20	HANDLE SUB-ASSEMBLY	EPDM RUBBER, BLACK	SEE NOTE 3	SEE NOTE 3	-	-	-	-
37-10-131-20	LATCH, ASSEMBLED	-	-	-	-	-	165.1[6.50]	39.3[1.55]
37-15-101-17	KEEPER	-	-	-	SEE NOTE 2	F	-	-
37-11-131-10	HANDLE SUB-ASSEMBLY	EPDM RUBBER, BLACK	SEE NOTE 2	ALUMINUM, NATURAL	-	-	-	-
37-10-131-10	LATCH, ASSEMBLED	-	-	-	-	-	165.1[6.50]	39.3[1.55]
PART NUMBER	TYPE OF COMPONENT	HANDLE	BRACKET	RIVET/STUD	KEEPER	KEEPER TYPE	A	B
		MATERIAL, FINISH						

- NOTES:
- LATCH PACKAGED ONE HANDLE SUB-ASSEMBLY AND ONE KEEPER PER BAG. FOR BULK PACKAGING: ORDER HANDLE SUB-ASSEMBLY AND KEEPER PART NUMBERS SEPARATELY.
  - STEEL, ZINC PLATE, BRIGHT CHROMATE PLUS SEALER.
  - STAINLESS STEEL, PASSIVATED.

THIRD ANGLE PROJECTION		
MILLIMETERS [IN]		
SURFACE AREA	TOLERANCES UNLESS OTHERWISE NOTED	DESCRIPTION
VOLUME	ALL DIMENSIONS WITHOUT TOLERANCES ARE FOR REFERENCE ONLY.	37 FLEXIBLE DRAW LATCH 100 SERIES, T-HANDLE
PROPRIETARY ITEM <small>EXCEPT FOR USES EXPRESSLY GRANTED IN WRITING, INFORMATION DISCLOSED HEREON IS CONFIDENTIAL AND ALL RIGHTS, PATENT AND OTHERWISE, ARE RESERVED BY SOUTHCO, INC.</small>	PER ASME Y14.5M-1994	SIZE A3 SYSTEM NX DWG NO. J-37-130
		DRAWN BY DMS/YGC DATE 13JAN2016 SCALE 1:2 SHEET 1 OF 1