

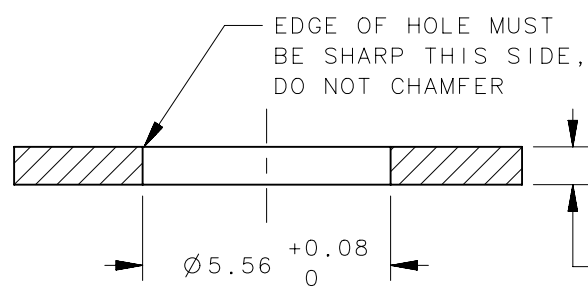
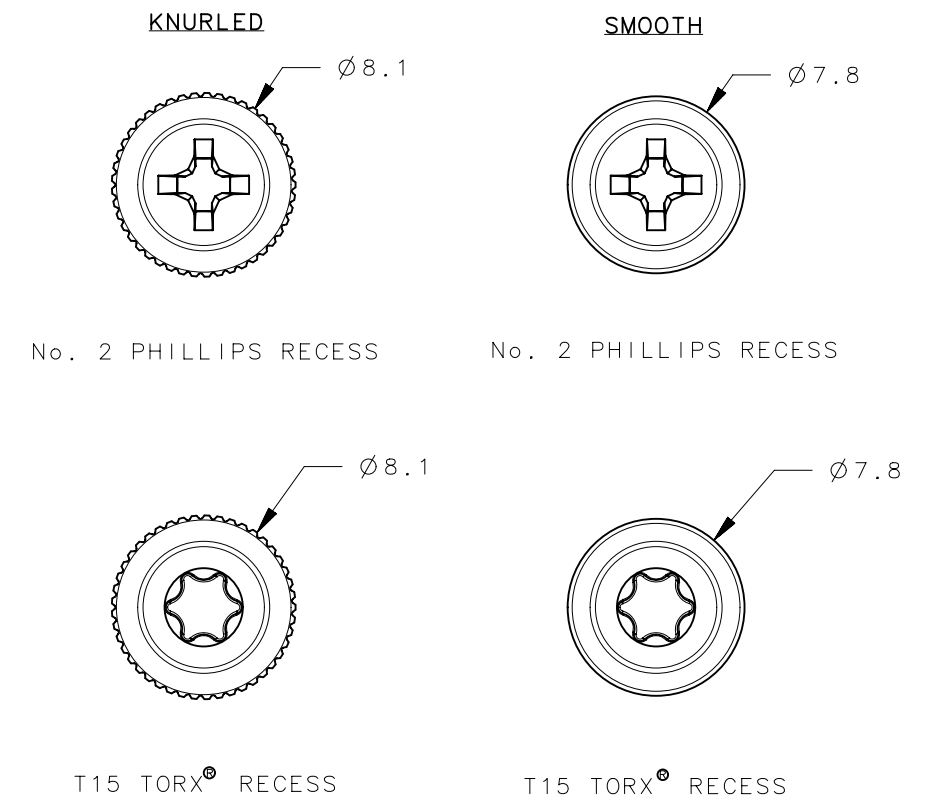
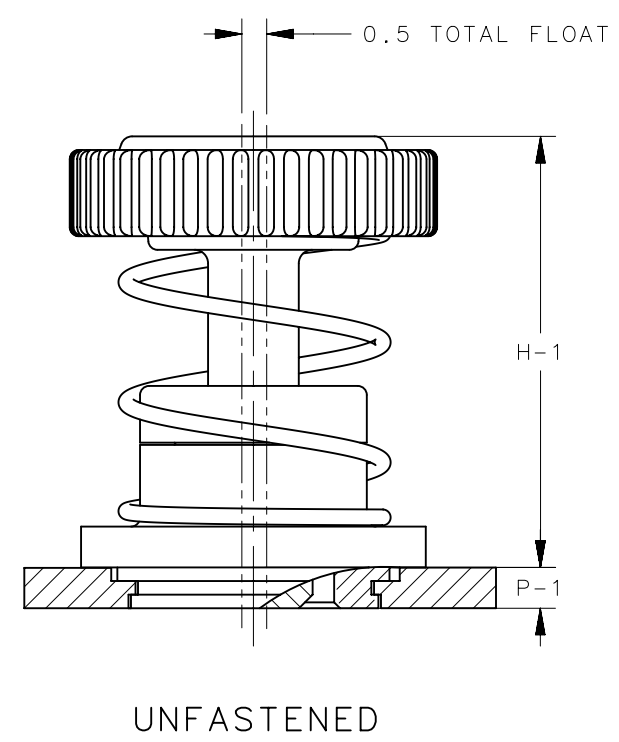
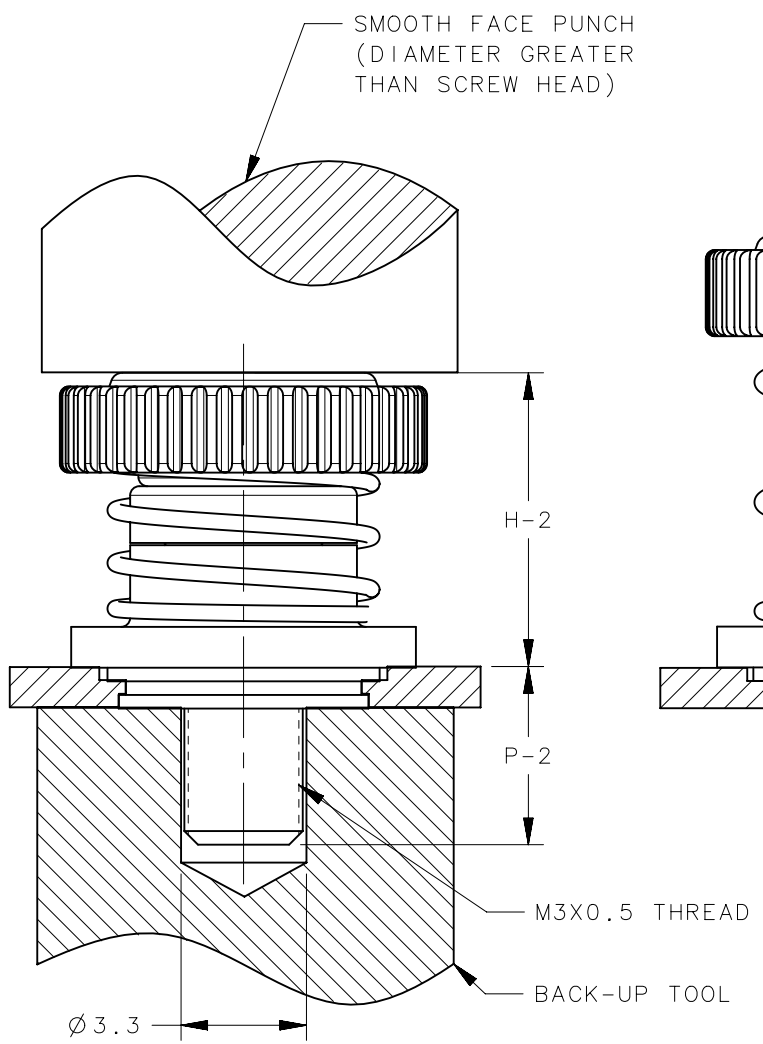
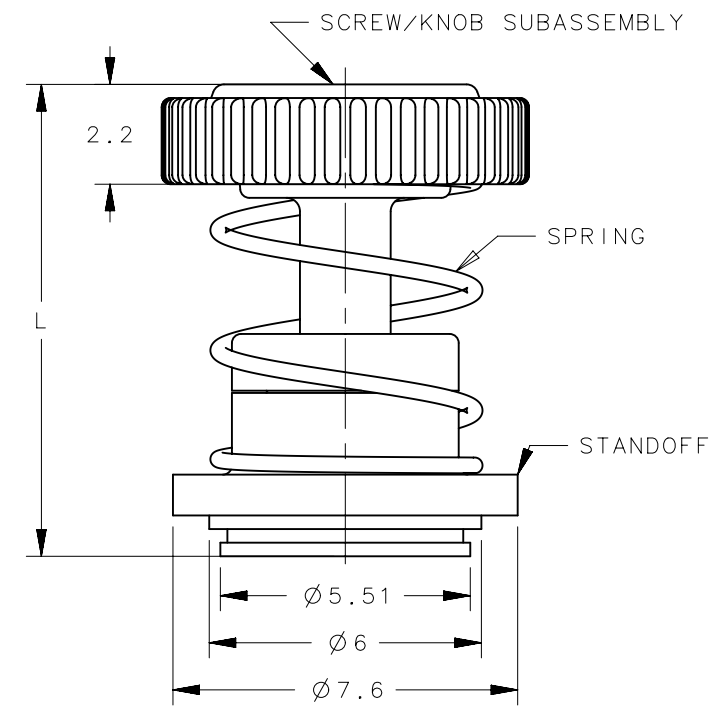
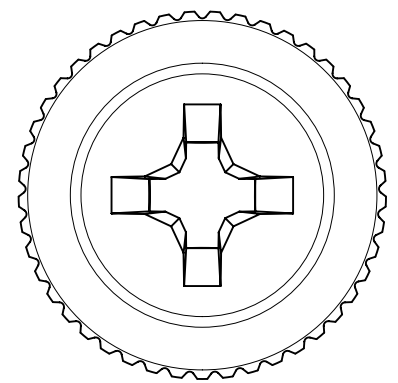
REVISION HISTORY			
REV	DATE	BY	DESCRIPTION
D	23SEP2019	CWA/YGC	PRN: P2019-2374

TORX® IS A REGISTERED TRADEMARK OF ACUMENT™ INTELLECTUAL PROPERTIES,LLC.

PART NUMBER 52-A31-51-4-EEE SHOWN



SCALE 1:1



PANEL PREPARATION

X SCREW RECESS AND KNOB STYLE

- 1 - KNURLED, No.2 PHILLIPS RECESS
- 3 - SMOOTH, No.2 PHILLIPS RECESS
- 5 - KNURLED, T15 TORX RECESS
- 6 - SMOOTH, T15 TORX RECESS

EEE KNOB COLOR

SEE J-47-0-3 FOR DETAIL

- NOTES:
- A. MATERIAL AND FINISH: RoHS COMPLIANT
SCREW: STEEL, HARDENED, ZINC PLATE PLUS SEALER
KNOB: PC/ABS
SPRING: 300 SERIES STAINLESS STEEL, PASSIVATED
STANDOFF: STEEL, ZINC PLATE, CHROMATE PLUS SEALER
 - B. INSTALLATION INSTRUCTIONS:
 1. PREPARE HOLE IN PANEL AS SHOWN OUTSIDE EDGE MUST BE SHARP, DO NOT CHAMFER.
 2. PUNCH SURFACE AND BACK-UP SURFACE MUST REMAIN PARALLEL DURING INSTALLATION. A HARDENED STEEL BACK-UP TOOL WITH A CLEARANCE HOLE AS SHOW, IS RECOMMENDED.
 3. PRESS THE ASSEMBLY INTO THE PANEL.
 - C. RECOMMENDED MAXIMUM TORQUE OF 60 N-cm.
 - D. COSMETIC SPECIFICATION: ALL SURFACES(UNLESS OTHERWISE SPECIFIED) ARE TO BE PER SOUTHCO SPECIFICATION S-121-02 AND S-121-04, CLASS B

52-A3X-51-4-EEE	10.4	9.5	6.5	0.9	3.9
PART NUMBER	L	H-1	H-2	P-1	P-2
THIRD ANGLE PROJECTION					
MILLIMETERS [IN]					
TOLERANCES UNLESS OTHERWISE NOTED		DESCRIPTION			
UP TO 0.5 ±0.1		No.52 LOW PROFILE CAPTIVE FASTENER			
OVER 0.5 UP TO 6 ±0.2		PRESS-IN STYLE, M3 THREAD, OVERMOLDED			
OVER 6 UP TO 30 ±0.4		SIZE		SYSTEM	
OVER 30 ±0.6		A3		NX	
ANGLES ±5°		DWG NO.		J-52-3-A1-M3	
PER ASME Y14.5M-1994		DRAWN BY		DATE	
		MAL		28APR2016	
		SCALE		SHEET	
		6:1		1 OF 1	