

southco®

PROPRIETARY ITEM - EXCEPT FOR USES EXPRESSLY GRANTED IN WRITING INFORMATION DISCLOSED HEREON IS CONFIDENTIAL AND ALL RIGHTS PATENT AND OTHERWISE ARE RESERVED BY SOUTHCO, INC.

TITLE

85 BAIL COVER

DATE

13/05/09

DRAWN

DC

CHKD

SCALE

2:1

DRAWING NUMBER

J-85-5-B-000

| REV | DATE | DRAWN/CHKD | DESCRIPTION | PART NUMBER | MATERIAL | FINISH |
|-----|-----------|------------|-----------------|-------------|----------|--------|
| A | 21APR2010 | MJS | PRN: P2010-0384 | 85-5-B-000 | POM | BLACK |
| | | | | | | |
| | | | | | | |
| | | | | | | |
| | | | | | | |
| | | | | | | |
| | | | | | | |
| | | | | | | |

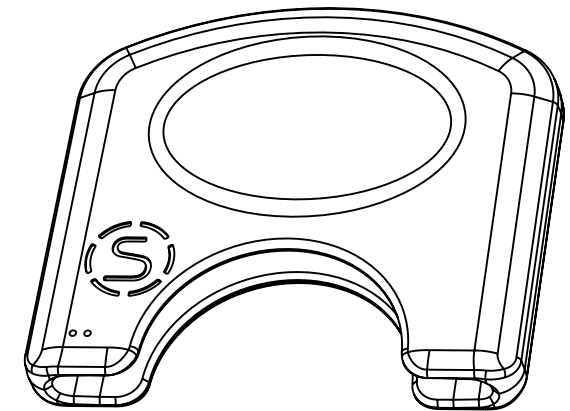
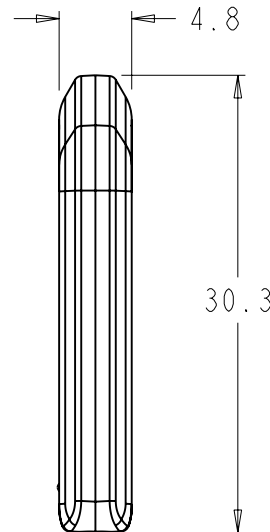
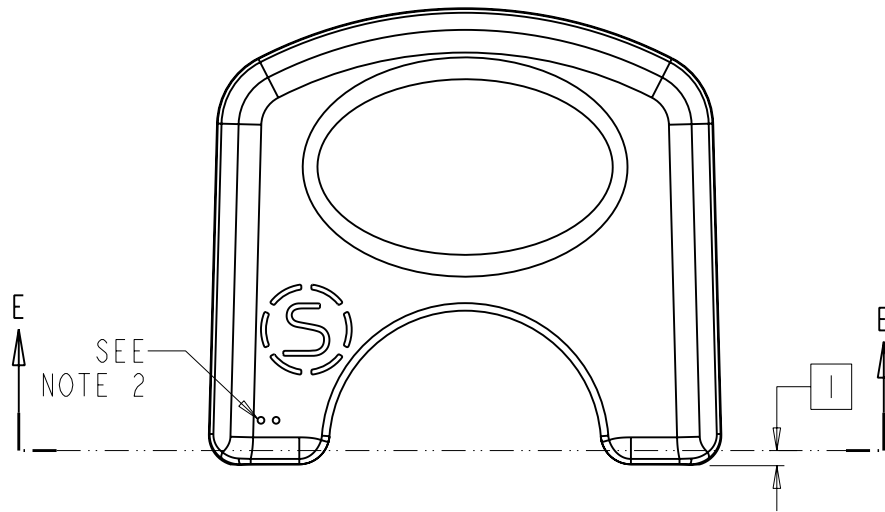
MILLIMETERS

ALL DIMENSIONS ARE FOR REFERENCE ONLY UNLESS OTHERWISE SPECIFIED

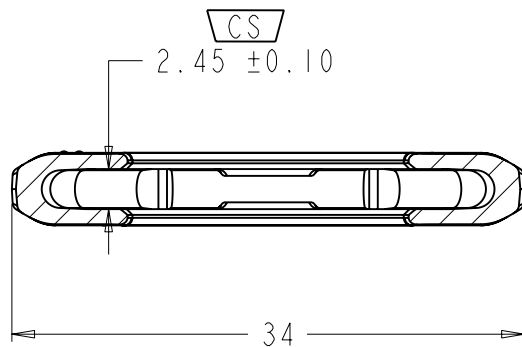
THIRD ANGLE PROJECTION A4 PAPER SIZE

INDICATES DIMENSION WITH SIGNIFICANT CHARACTERISTIC

FILE No. XX



RECOGNITION VIEW



SECTION E-E

NOTES

- BAIL COVER COMPATIBLE WITH 85 LION BAIL ARM STUDS. 85-15-XXX-XX AND 85-16-XXX-XX
- PIPS INDICATE FROM WHICH TOOL CAVITY CAP IS MOULDED.