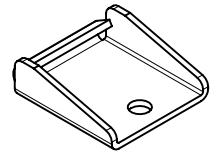
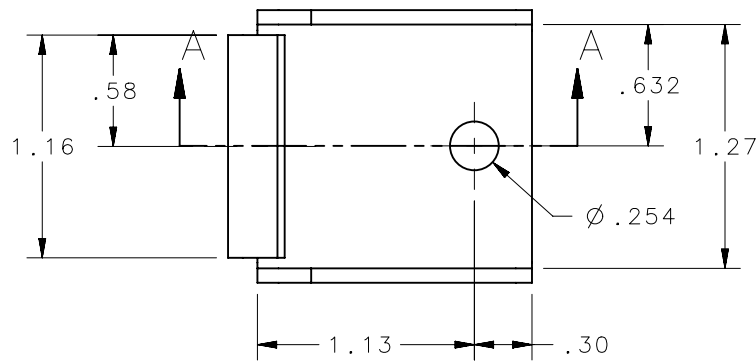
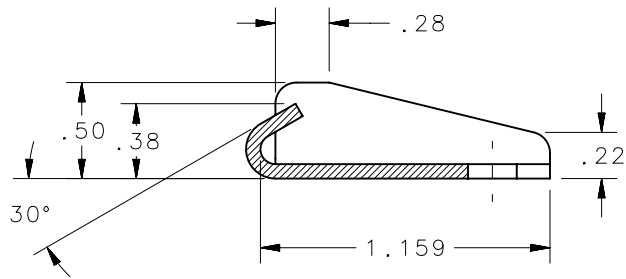


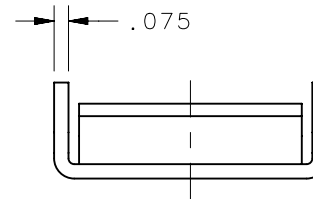
REVISION HISTORY			
REV	DATE	BY	DESCRIPTION
A	29JUL2016	DKM/YGC	PRN: P2016-1768



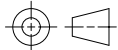
SCALE 1:2



SECTION A-A



97-77-104-24	KEEPER	STAINLESS STEEL	BRIGHT, PASSIVATED
97-77-104-23	KEEPER	STAINLESS STEEL	NATURAL
97-77-104-13	KEEPER	STEEL	NATURAL
97-77-104-12	KEEPER	STEEL	NATURAL
97-77-104-11	KEEPER	STEEL	ZINC PLATE, BRIGHT
SOUTHCO PART NUMBER	TYPE OF COMPONENT	MATERIAL	FINISH

		THIRD ANGLE PROJECTION 		<b>southco</b> <sup>®</sup> CONNECT • CREATE • INNOVATE	
		INCHES [MM]			
SURFACE AREA		TOLERANCES UNLESS OTHERWISE NOTED		NO. 97 KEEPER	
VOLUME		ALL DIMENSIONS WITHOUT TOLERANCES ARE FOR REFERENCE ONLY.			
PROPRIETARY ITEM <small>EXCEPT FOR USES EXPRESSLY GRANTED IN WRITING, INFORMATION DISCLOSED HEREON IS CONFIDENTIAL AND ALL RIGHTS, PATENT AND OTHERWISE, ARE RESERVED BY SOUTHCO, INC.</small>		SIZE A	SYSTEM NX	DWG NO. J-97-77-104	
PER ASME Y14.5M-1994		DRAWN BY DKM/YGC	DATE 29JUL2016	SCALE 1:1	SHEET 1 OF 1