

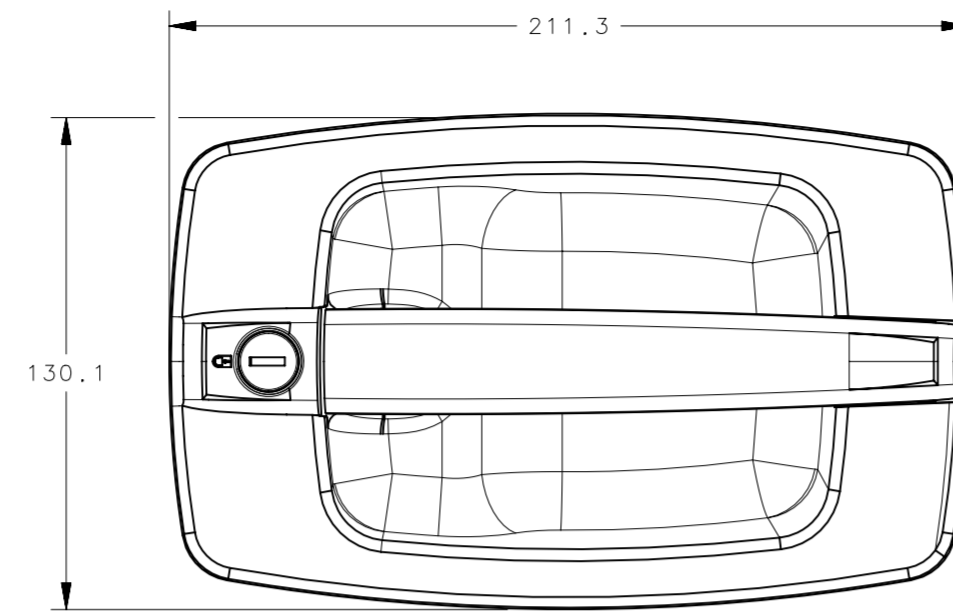
PART NUMBER: AC-10-XY1-11-WWWW

X = STYLE:  
 1 - SINGLE POINT, DIRECT PULL  
 2 - MULTIPOINT, WITHOUT CABLE BRACKET  
 3 - MULTIPOINT, WITH CABLE BRACKET

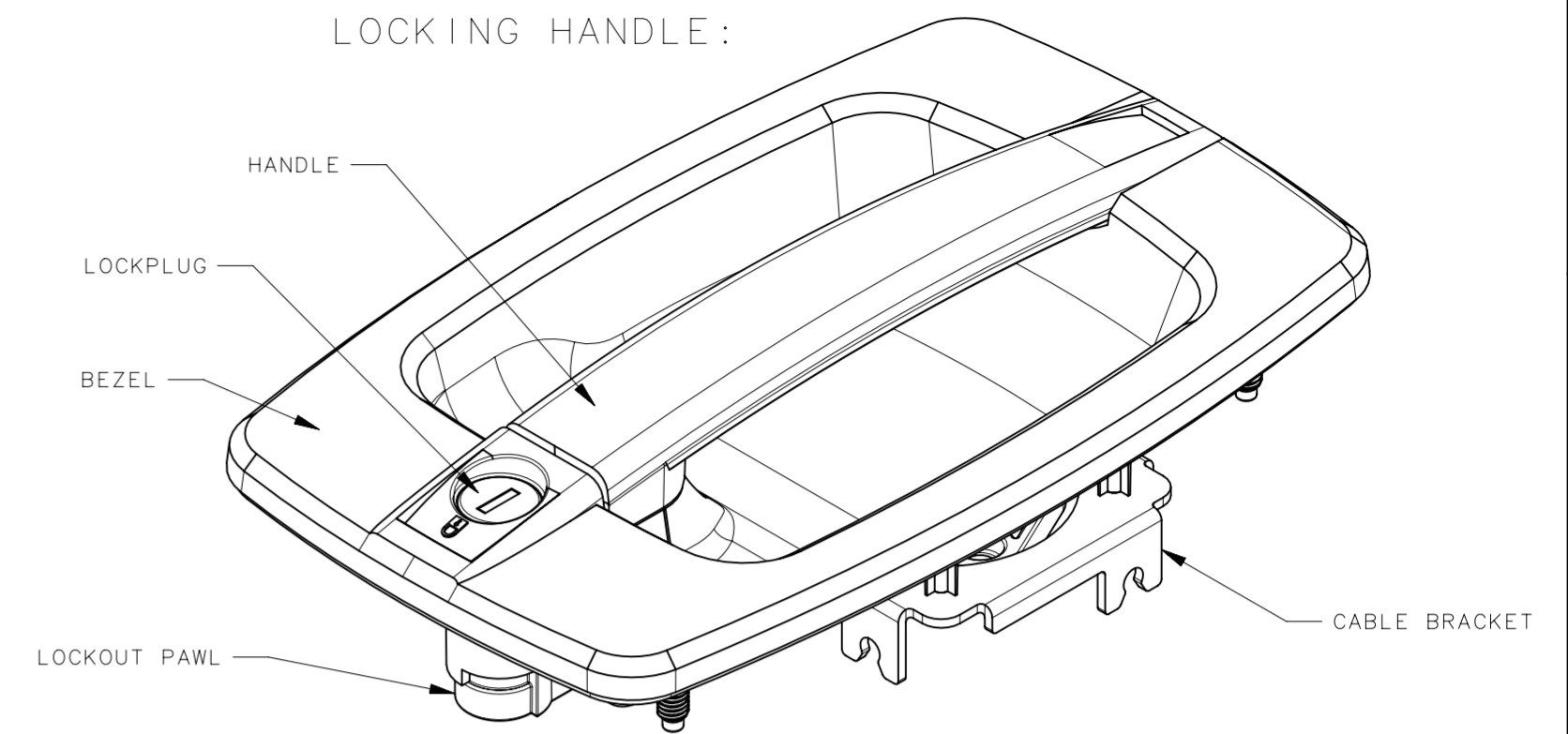
Y = LOCKING OPTION:  
 0 - NON-LOCKING  
 1 - REVERSIBLE KEY (R001), NO KEYS INCLUDED  
 2 - REVERSIBLE KEY (R001), 2 KEYS INCLUDED  
 3 - REVERSIBLE KEY (MULTIPLE KEYCODES), 2 KEYS INCLUDED  
 4 - STANDARD KEY (CH751), NO KEYS INCLUDED  
 5 - STANDARD KEY (CH751), 2 KEYS INCLUDED  
 6 - STANDARD KEY (MULTIPLE KEYCODES), 2 KEYS INCLUDED  
 7 - REVERSIBLE KEY (14603), 2 KEYS INCLUDED  
 9 - NO LOCKPLUG INSTALLED

WWW = KEY CODE OPTION  
 KD10 - KEYED DIFFERENTLY, 10 CODES (ONLY USED IF Y= 3 OR 6)  
 MK10 - MASTER KEYED, KEYED DIFFERENTLY, 10 CODES (ONLY USED IF Y= 6)

REVISION HISTORY			
REV	DATE	BY	DESCRIPTION
F	06DEC2017	RKS/VK	PRN: P2017-2986

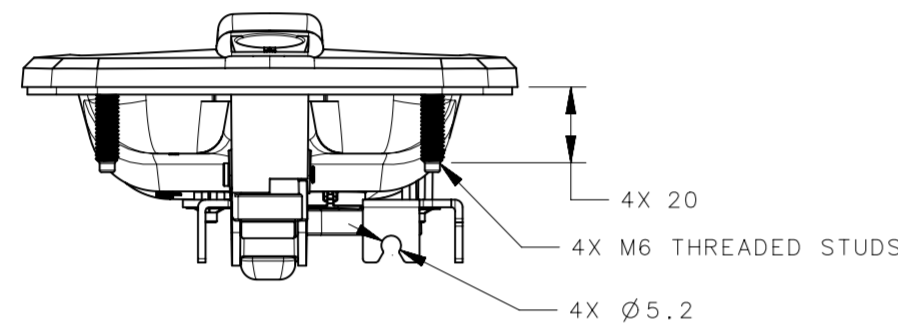


FULLY CLOSED

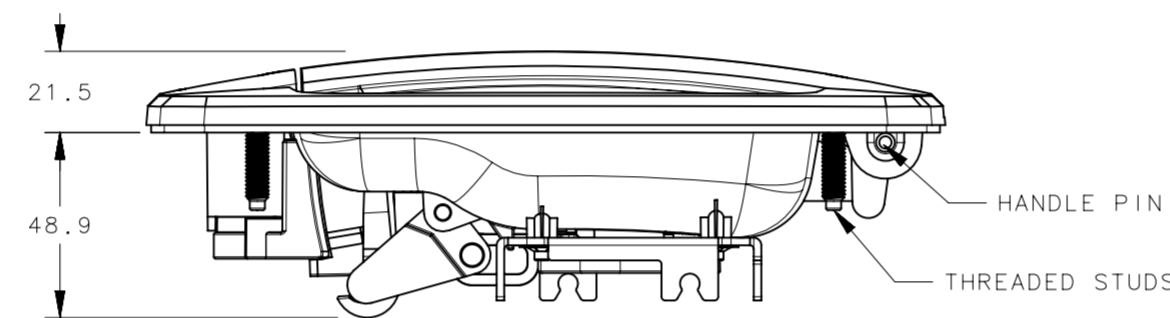


LOCKING HANDLE:

SCALE 3:4

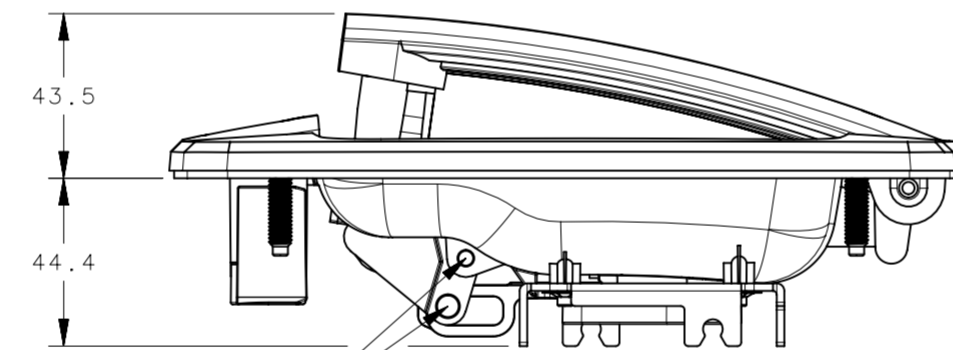
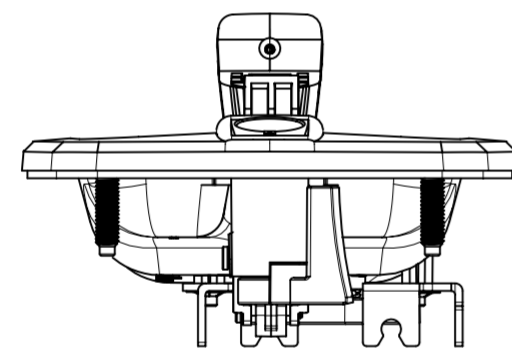
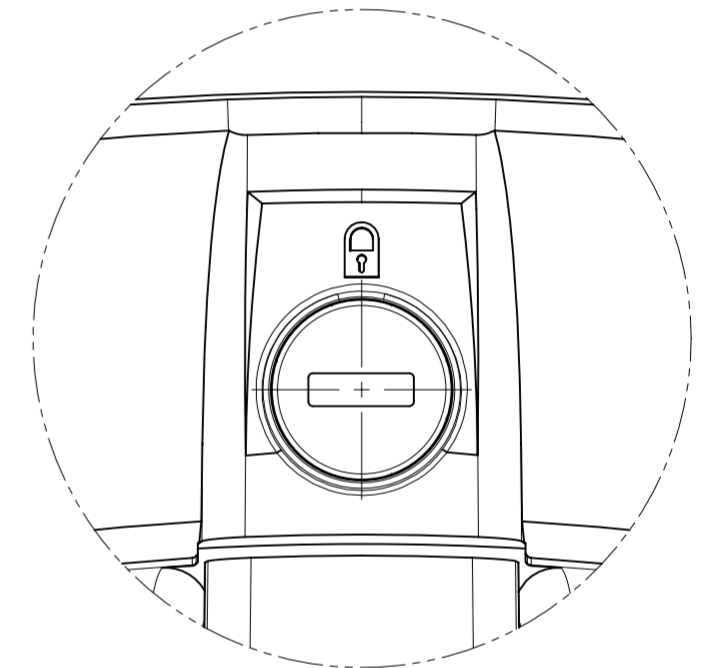
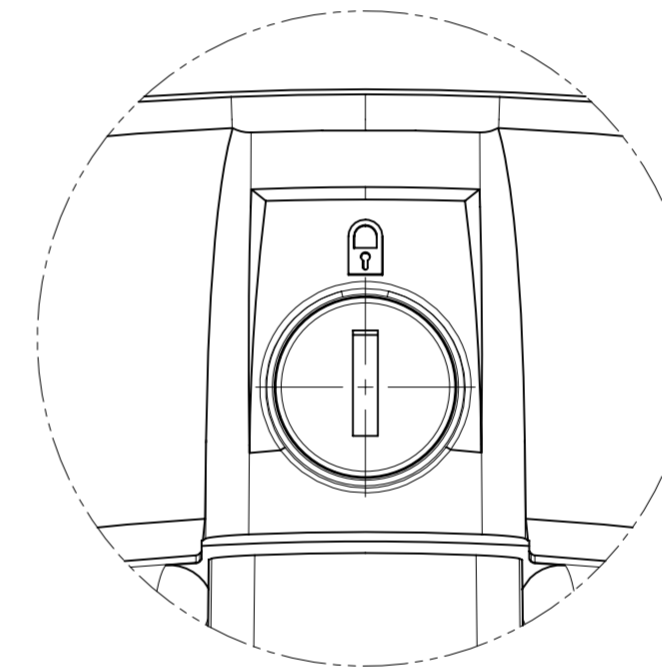


PART NUMBER AC-10-341-11 SHOWN



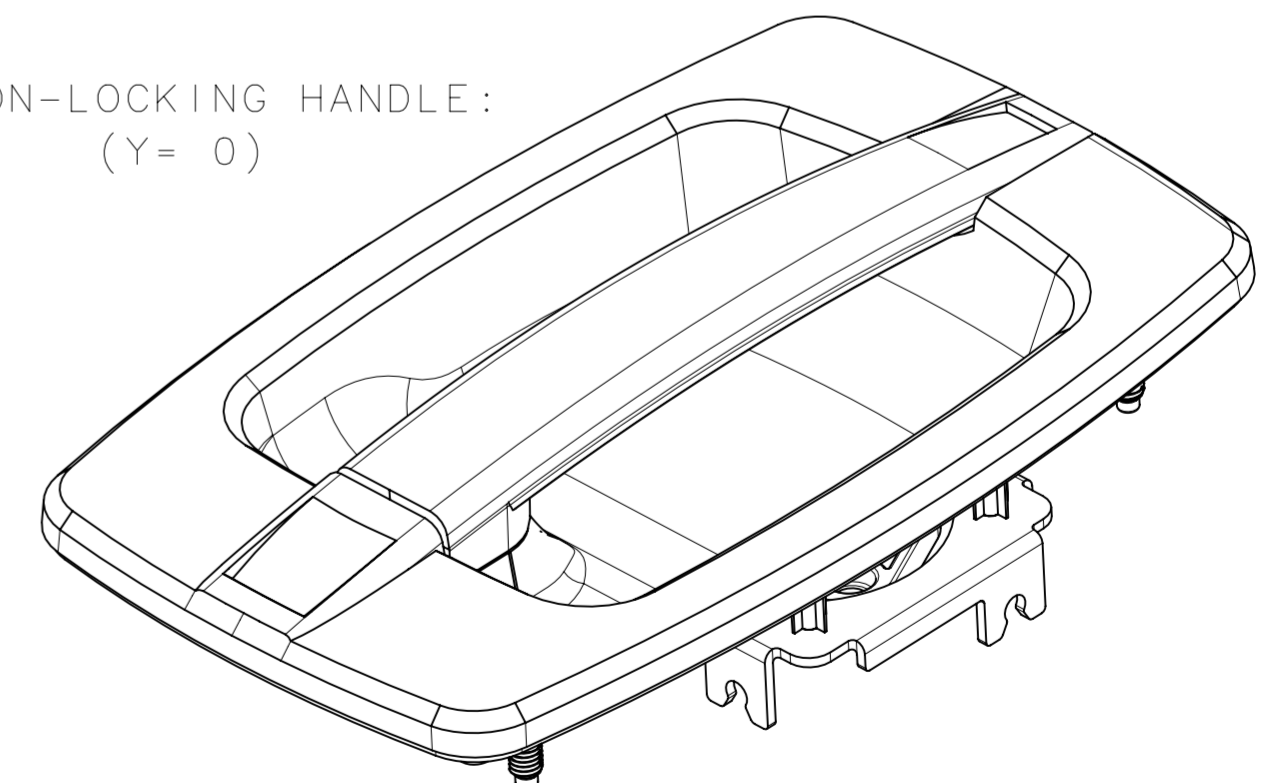
LOCKED

UNLOCKED



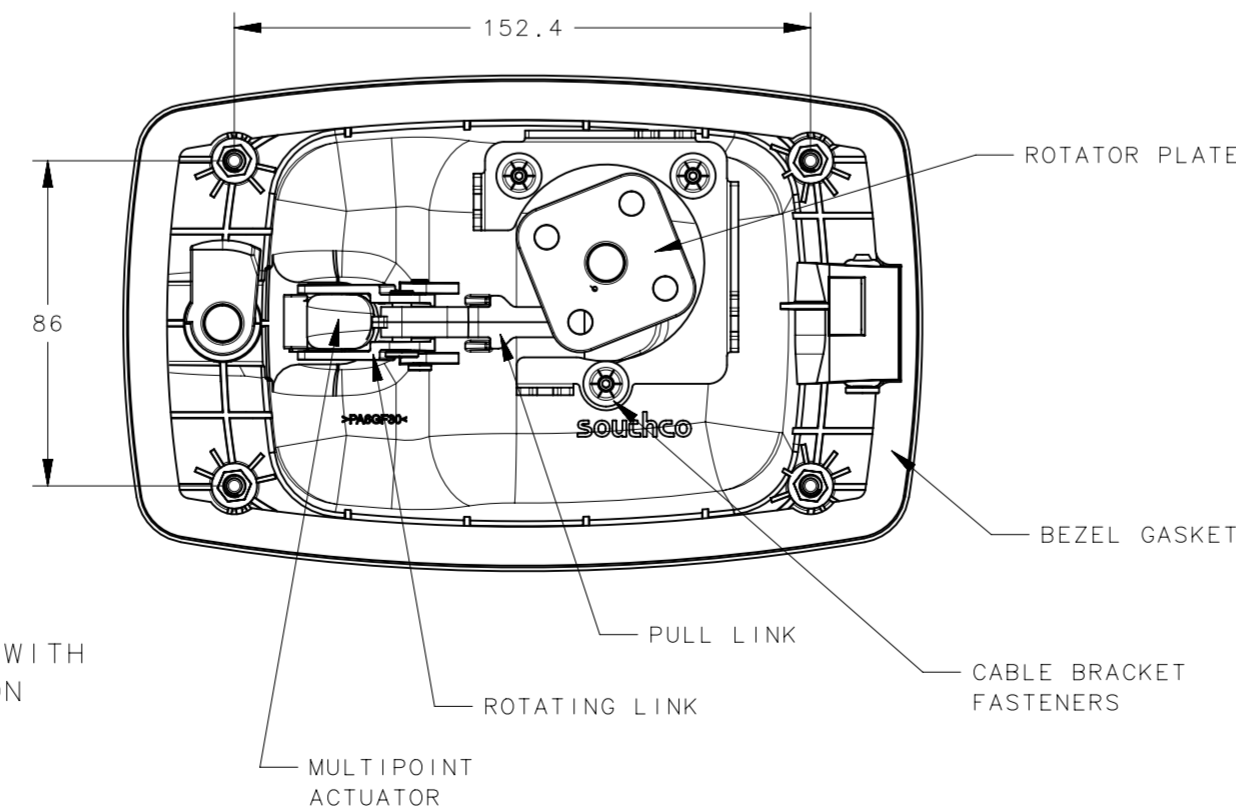
FULLY OPEN

NON-LOCKING HANDLE:  
(Y= 0)



NOTES:

- A. ASSEMBLIES SHIPPED TRAY PACKAGED, LAYERED.
- B. MATERIAL AND FINISH:
  - BEZEL, HANDLE, MULTIPOINT ACTUATOR, ROTATING LINK, PULL LINK, ROTATOR PLATE, AND LOCKOUT PAWL: NYLON, BLACK
  - THREADED STUDS: STEEL, ZINC NICKEL PLATE
  - THREADED INSERT: BRASS, NATURAL
  - ALL PINS AND E-CLIP: STAINLESS STEEL, NATURAL
  - ALL RIVETS: ALUMINUM, NATURAL
  - ALL SPRINGS: STAINLESS STEEL, NATURAL
  - LOCKPLUG SEAL: TPE, BLACK
  - LOCKPLUG ADAPTER: ZINC DIE CAST
  - ALL GASKETS: CLOSED CELL FOAM, BLACK
  - CABLE BRACKET & FASTENERS: STEEL, ZINC PLATE
- C. FOR WWW= MK10, MASTER KEY PART NUMBER: PK-24-01
- D. FOR USE WITH RODS/CABLES, RODS NOT SUPPLIED BY SOUTHCO. CABLES AND RETAINER CLIPS SOLD SEPARATELY. RECOMMENDED SNAP IN RETAINER FOR ROTATOR PLATE: SOUTHCO PART NUMBER R4-0-43922. SEE DRAWING J-R4-0-43922 FOR MORE DETAILS AND OPTIONS.
- E. RECOMMENDED CABLE STYLE: SOUTHCO TYPE 7 CABLE, JACKETED CABLE WITH SNUB END COUPLING AND END COUPLING RETAINERS, PLUS L FITTING ON ACTUATOR SIDE. TA=4, ALSO SEE DRAWING J-AC-C FOR MORE DETAILS. CONTACT SOUTHCO FOR CABLE DESIGN SUPPORT.
- F. INSTALLATION TORQUE OF MOUNTING NUTS NOT TO EXCEED 7N-m [62in-lbs].



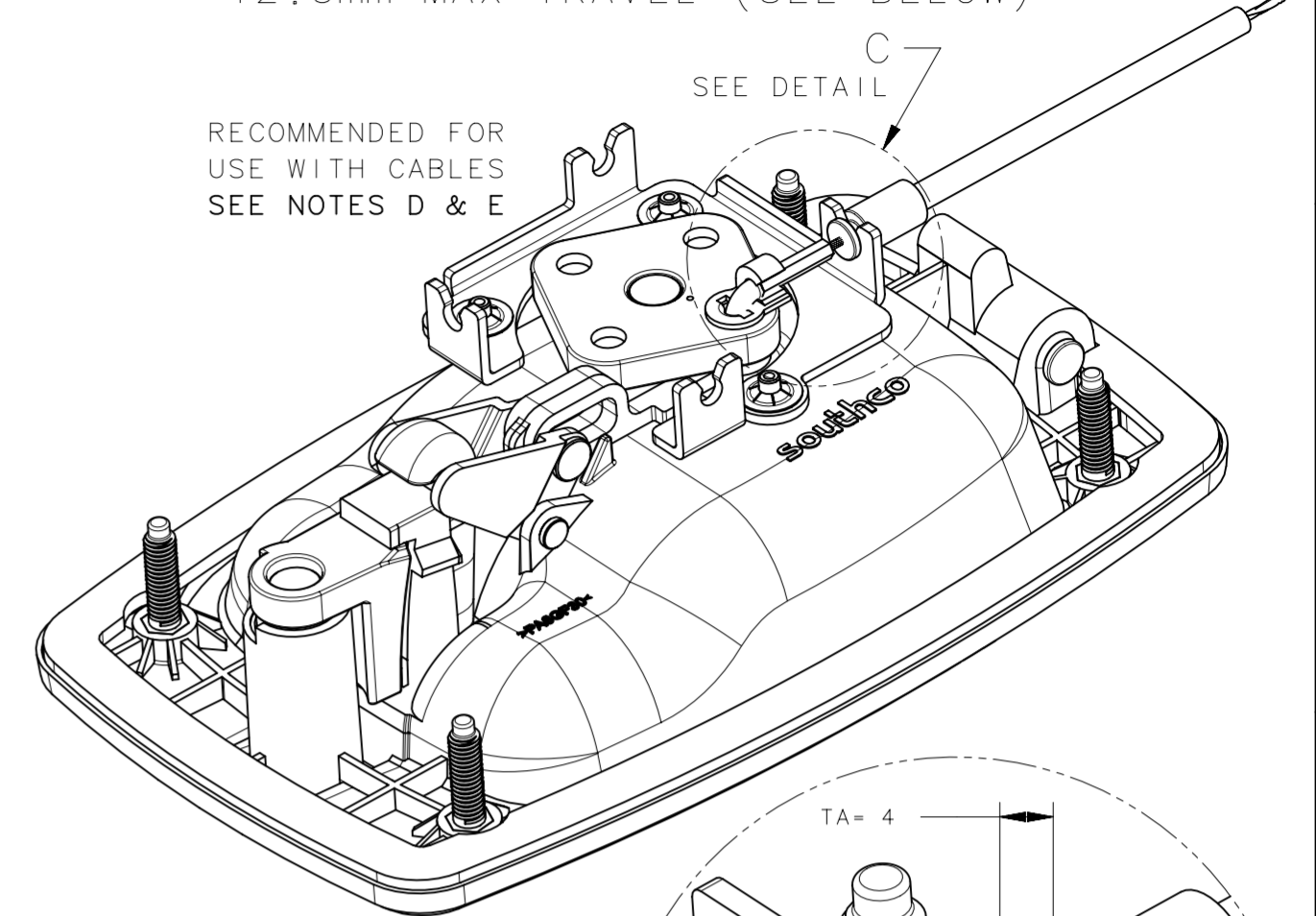
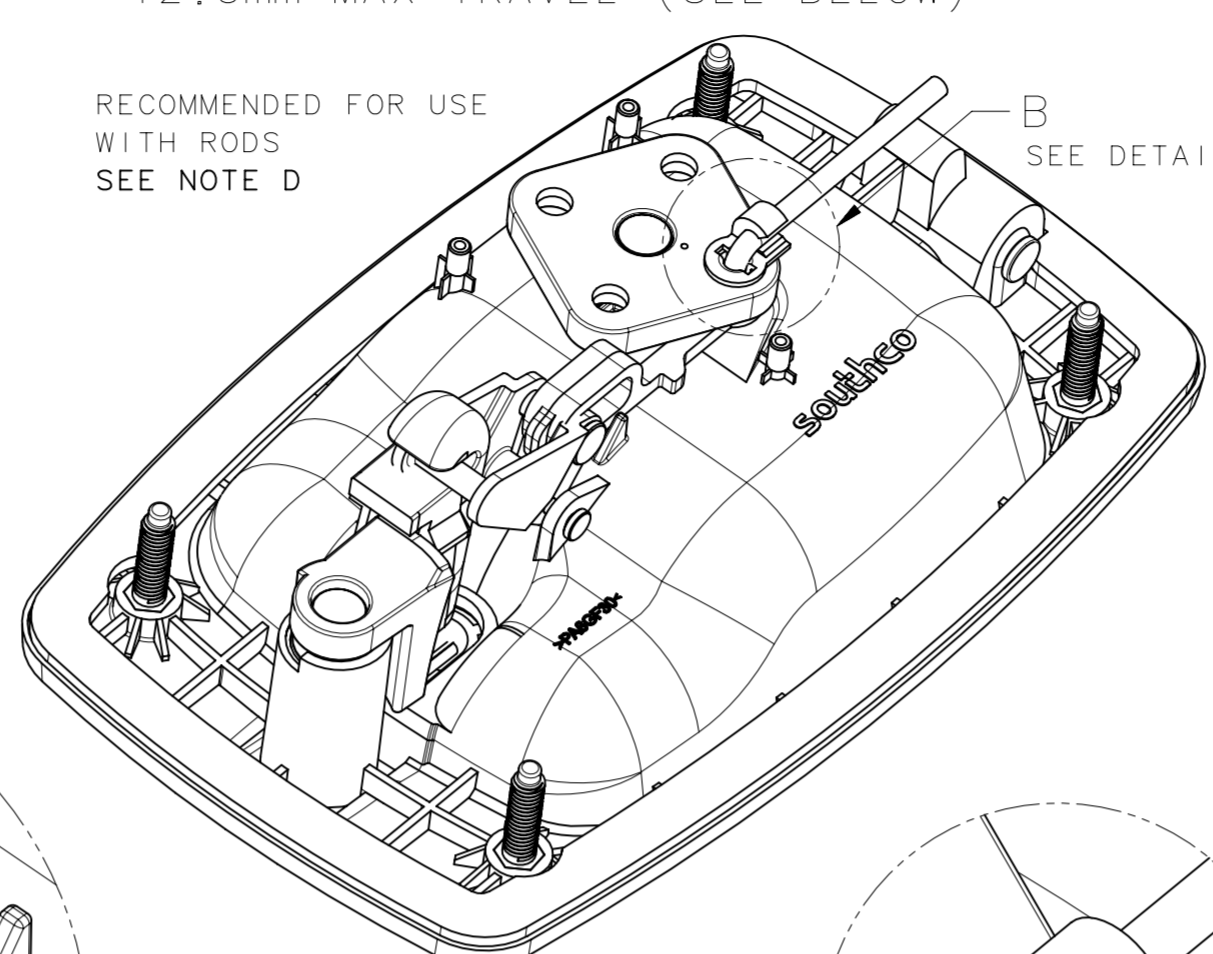
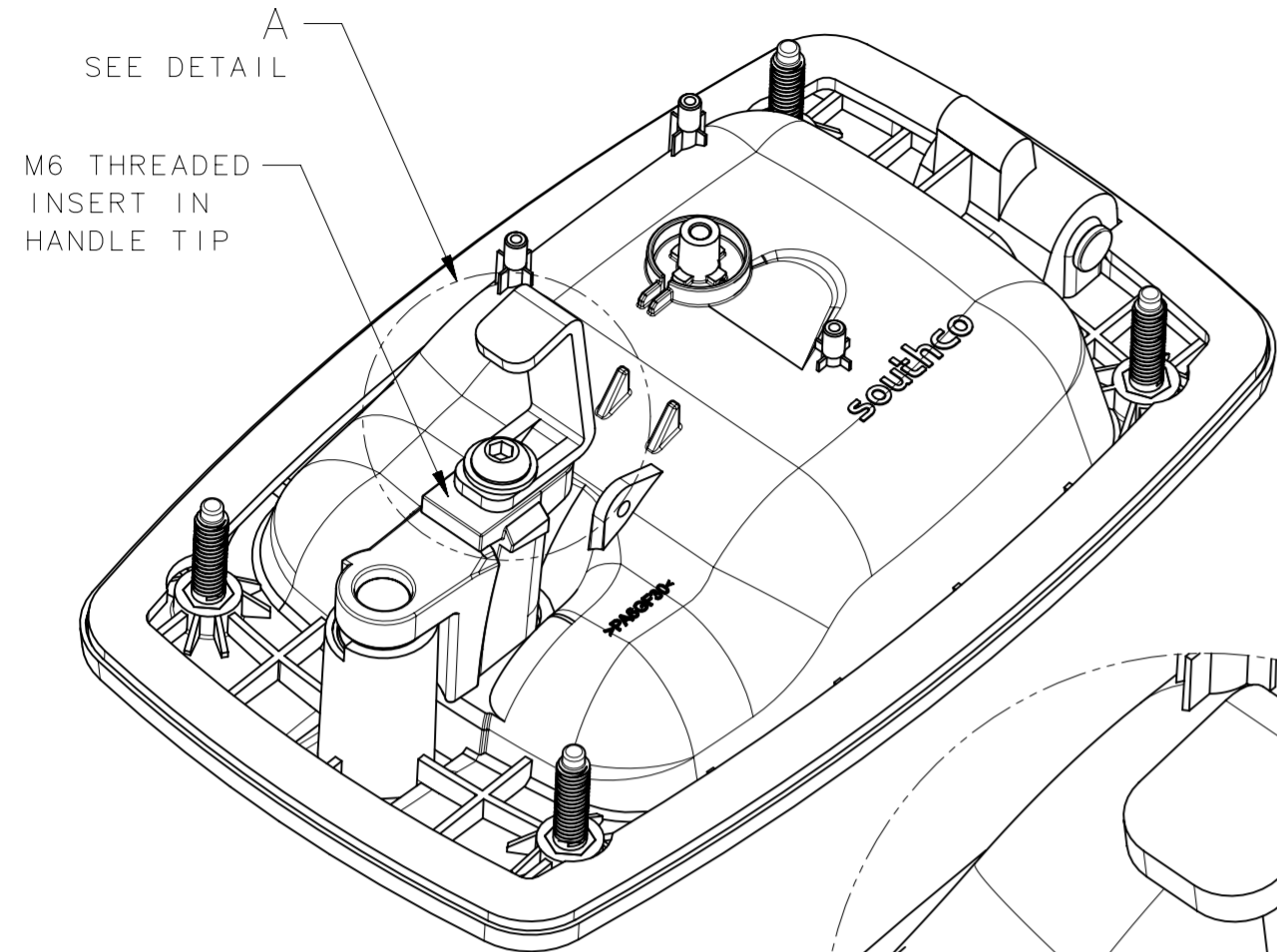
THIRD ANGLE PROJECTION		 CONNECT · CREATE · INNOVATE	
MILLIMETERS [IN]			
SURFACE AREA		DESCRIPTION	
VOLUME		CUPPED HANDLE ACTUATOR FLUSH MOUNT	
PROPRIETARY ITEM		SIZE	DWG NO.
EXCEPT FOR USES EXPRESSLY GRANTED IN WRITING, INFORMATION DISCLOSED HEREON IS CONFIDENTIAL AND ALL RIGHTS, PATENT AND OTHERWISE, ARE RESERVED BY SOUTHCO, INC.		A2	NX
PER ASME Y14.5M-1994		DRAWN BY	DATE
		ACH/MSM	25JUN2013
		SCALE	SHEET
		DNS	1 OF 2

REVISION HISTORY			
REV	DATE	BY	DESCRIPTION
F	06DEC2017	RKS/VK	PRN: P2017-2986

DIRECT PULL: 30mm MAX TRAVEL

MULTIPOINT, WITHOUT CABLE BRACKET: 12.5mm MAX TRAVEL (SEE BELOW)

MULTIPOINT, WITH CABLE BRACKET: 12.5mm MAX TRAVEL (SEE BELOW)



SEE DETAIL A  
M6 THREADED INSERT IN HANDLE TIP  
TRIGGER PULL SOLD SEPARATELY. SEE DRAWING J-R4-0-51292 FOR MORE DETAIL.

RECOMMENDED FOR USE WITH RODS  
SEE NOTE D

RECOMMENDED FOR USE WITH CABLES  
SEE NOTES D & E

DETAIL A  
SCALE 2:1

TRIGGER PULL AND M6 SCREW/WASHER NOT INCLUDED

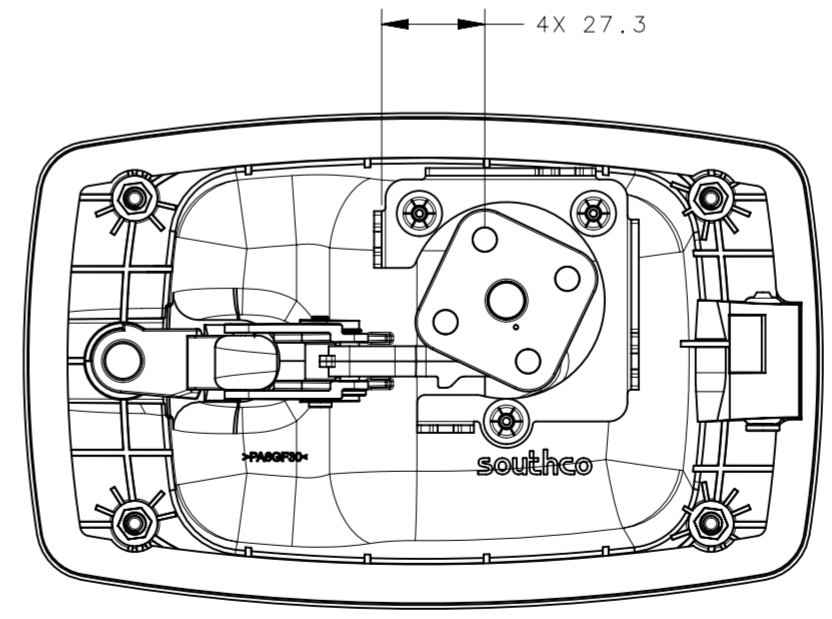
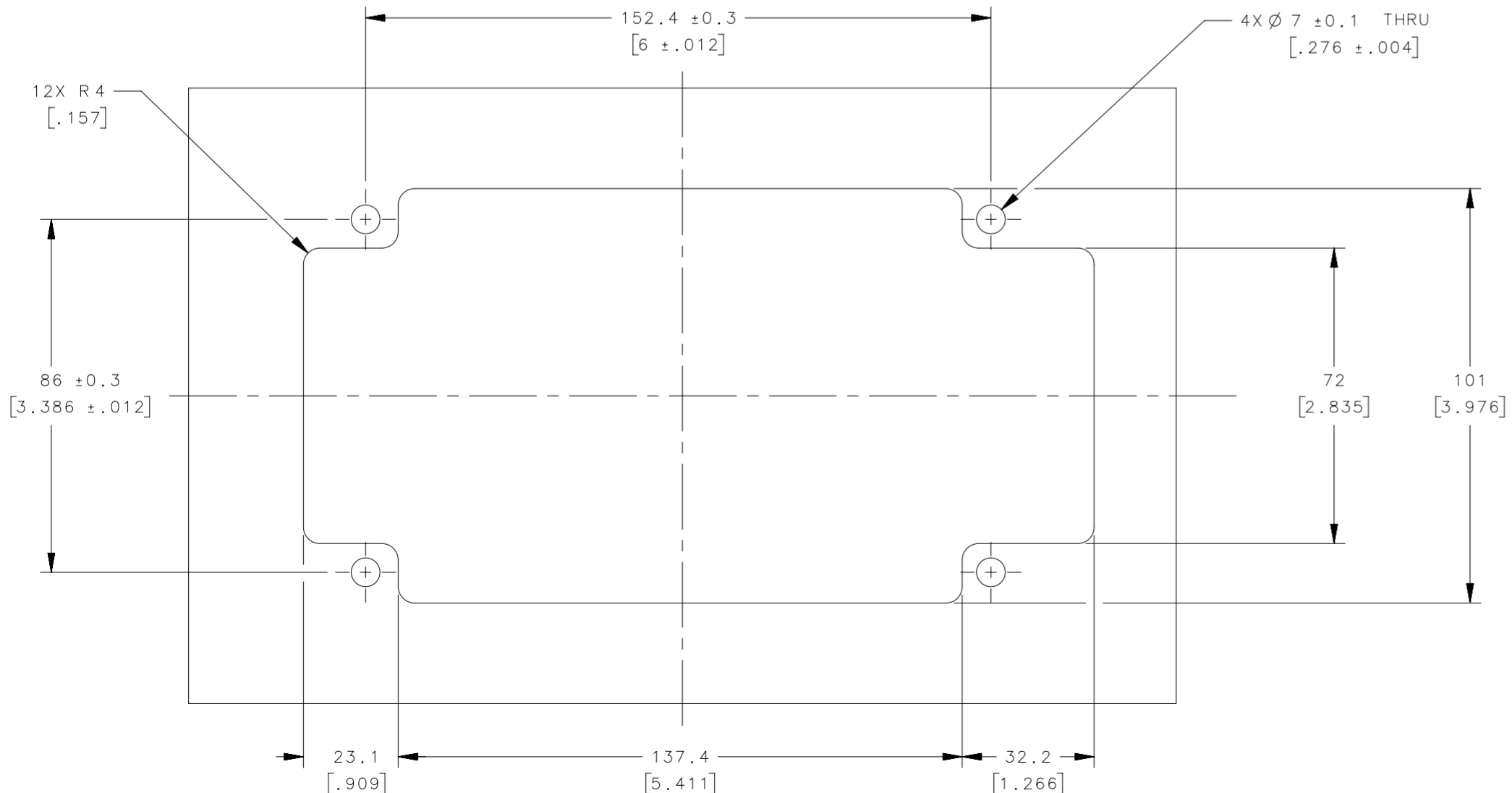
DETAIL B  
SCALE 2:1

SEE NOTE D

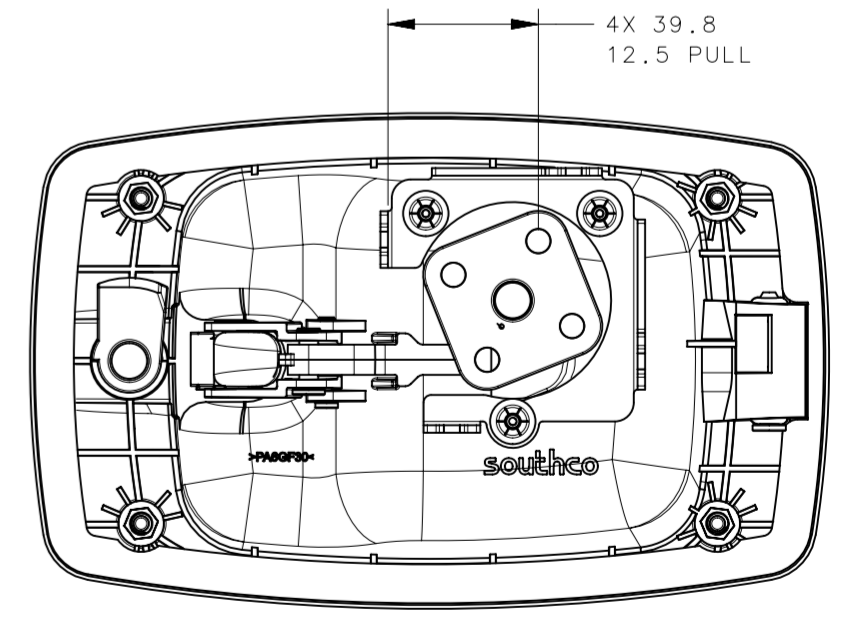
DETAIL C  
SCALE 2:1

PANEL PREPARATION  
MAX RECOMMENDED THICKNESS: 14mm

ROTOR PLATE TRAVEL



CLOSED



OPEN

THIRD ANGLE PROJECTION				<b>southco</b> CONNECT · CREATE · INNOVATE	
MILLIMETERS [IN]					
SURFACE AREA		TOLERANCES UNLESS OTHERWISE NOTED		DESCRIPTION	
VOLUME		ALL DIMENSIONS WITHOUT TOLERANCES ARE FOR REFERENCE ONLY.		CUPPED HANDLE ACTUATOR FLUSH MOUNT	
PROPRIETARY ITEM EXCEPT FOR USES EXPRESSLY GRANTED IN WRITING, INFORMATION DISCLOSED HEREON IS CONFIDENTIAL AND ALL RIGHTS, PATENT AND OTHERWISE, ARE RESERVED BY SOUTHCO, INC.		PER ASME Y14.5M-1994	SIZE SYSTEM A2 NX	DWG NO. J-AC-10	
		DRAWN BY ACH/ASM	DATE 25JUN2013	SCALE DNS	SHEET 2 OF 2