

8

7

6

5

4

3

2

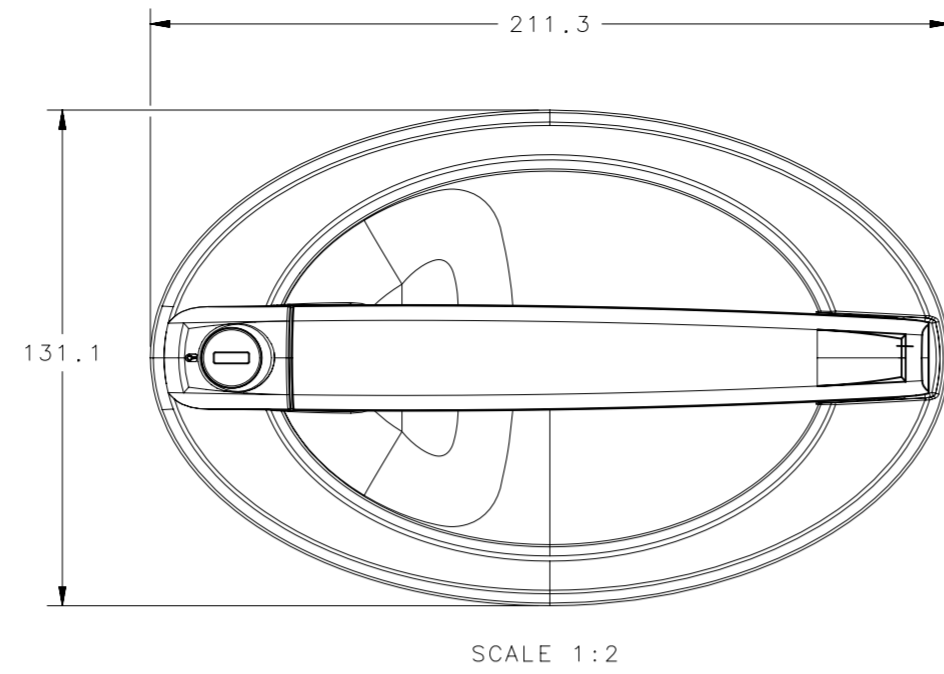
1

PART NUMBER: AC-11-XY1-11-WWWW

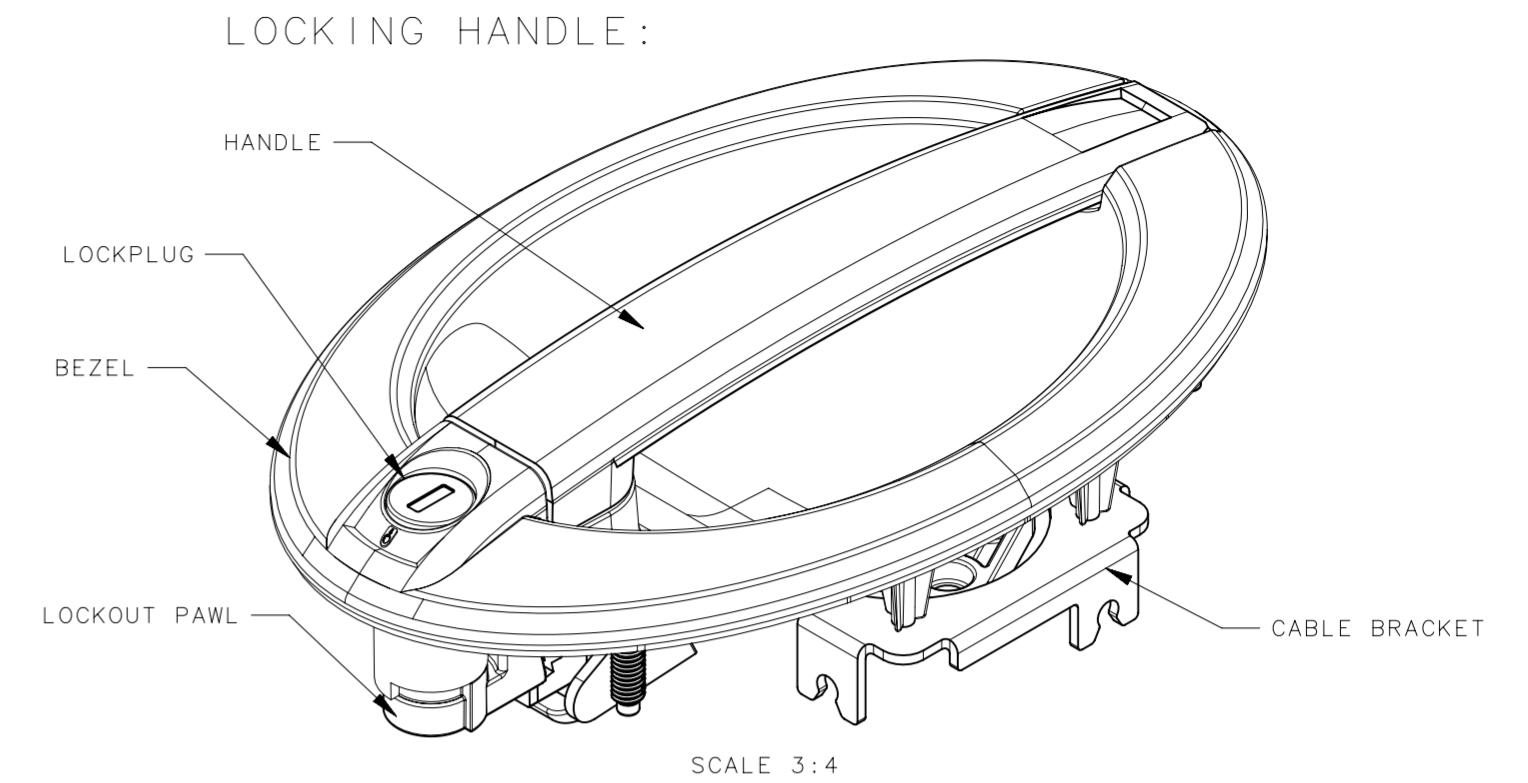
X = STYLE:  
 1 - SINGLE POINT, DIRECT PULL  
 2 - MULTIPOINT, WITHOUT CABLE BRACKET  
 3 - MULTIPOINT, WITH CABLE BRACKET

Y = LOCKING OPTION:  
 0 - NON-LOCKING  
 1 - REVERSIBLE KEY (R001), NO KEYS INCLUDED  
 2 - REVERSIBLE KEY (R001), 2 KEYS INCLUDED  
 3 - REVERSIBLE KEY (MULTIPLE KEYCODES), 2 KEYS INCLUDED  
 4 - STANDARD KEY (CH751), NO KEYS INCLUDED  
 5 - STANDARD KEY (CH751), 2 KEYS INCLUDED  
 6 - STANDARD KEY (MULTIPLE KEYCODES), 2 KEYS INCLUDED  
 7 - REVERSIBLE KEY (14603), 2 KEYS INCLUDED  
 9 - NO LOCKPLUG INSTALLED

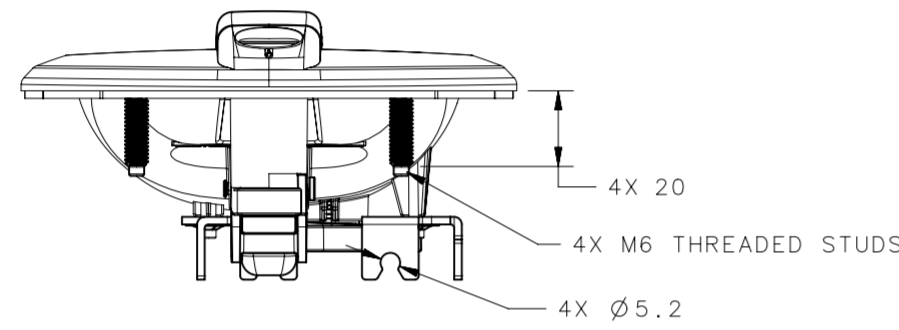
WWW = KEY CODE OPTION  
 KD10 - KEYED DIFFERENTLY, 10 CODES (ONLY USED IF Y= 3 OR 6)  
 MK10 - MASTER KEYED, KEYED DIFFERENTLY, 10 CODES (ONLY USED IF Y= 6)



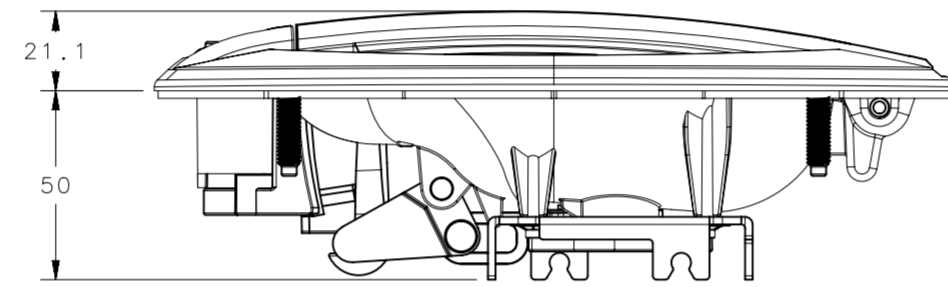
FULLY CLOSED



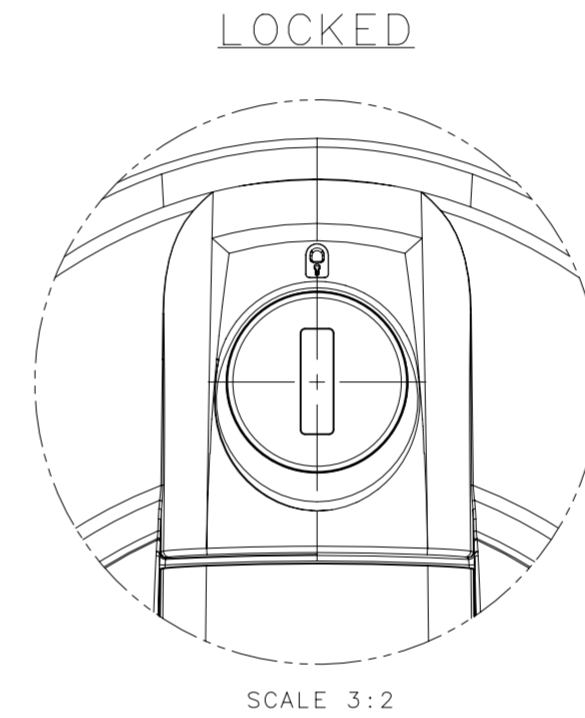
LOCKING HANDLE:



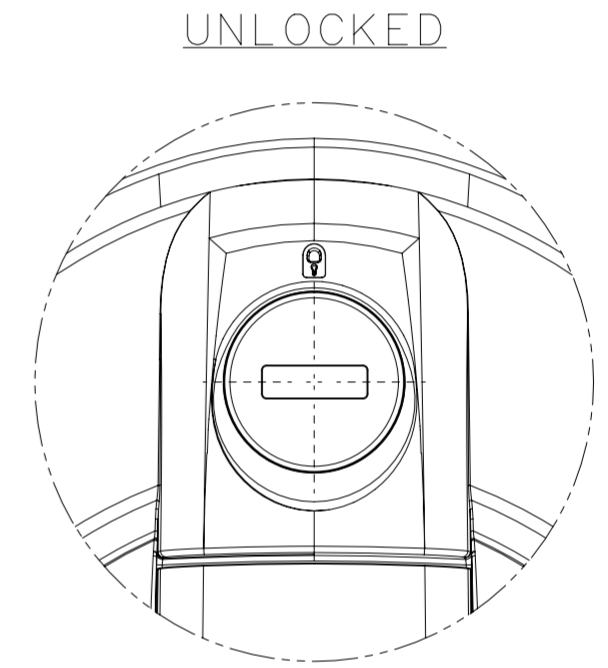
PART NUMBER AC-11-341-11 SHOWN



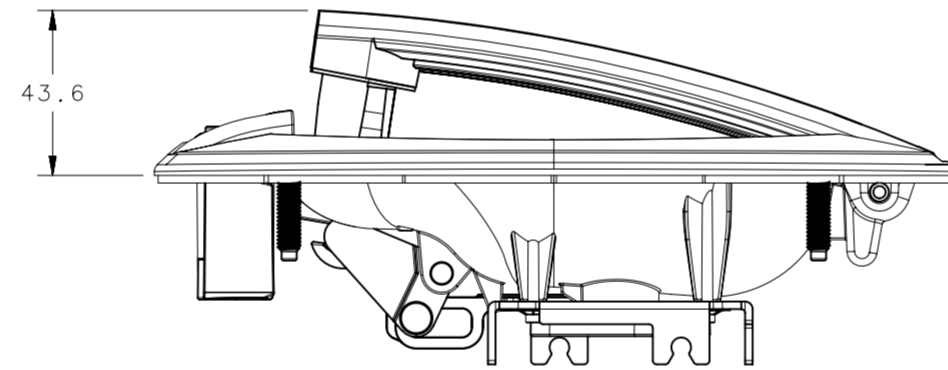
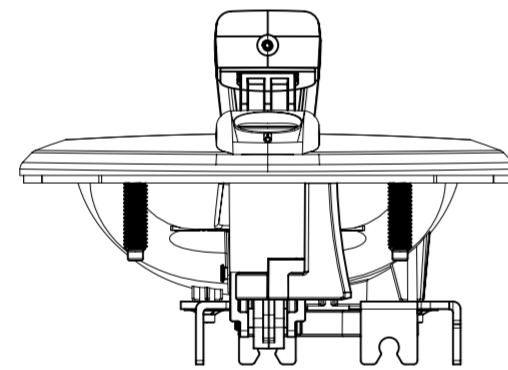
FULLY OPEN



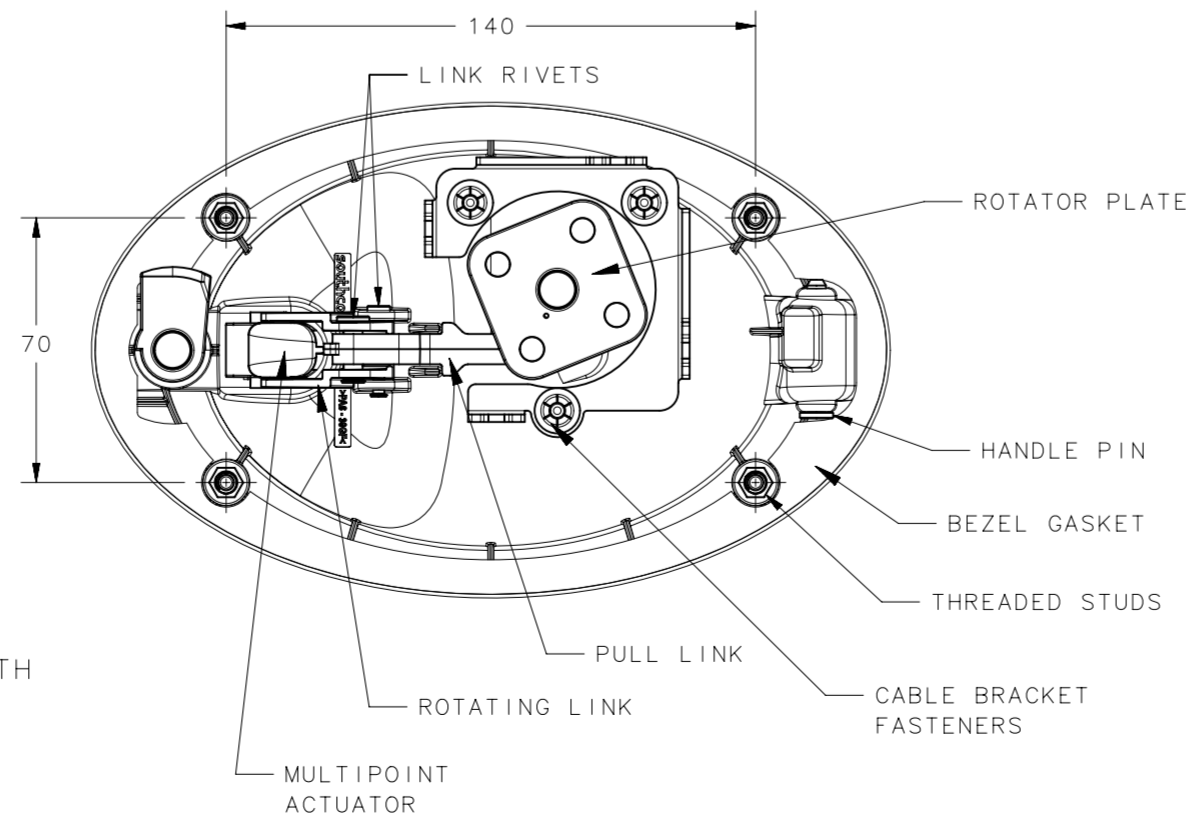
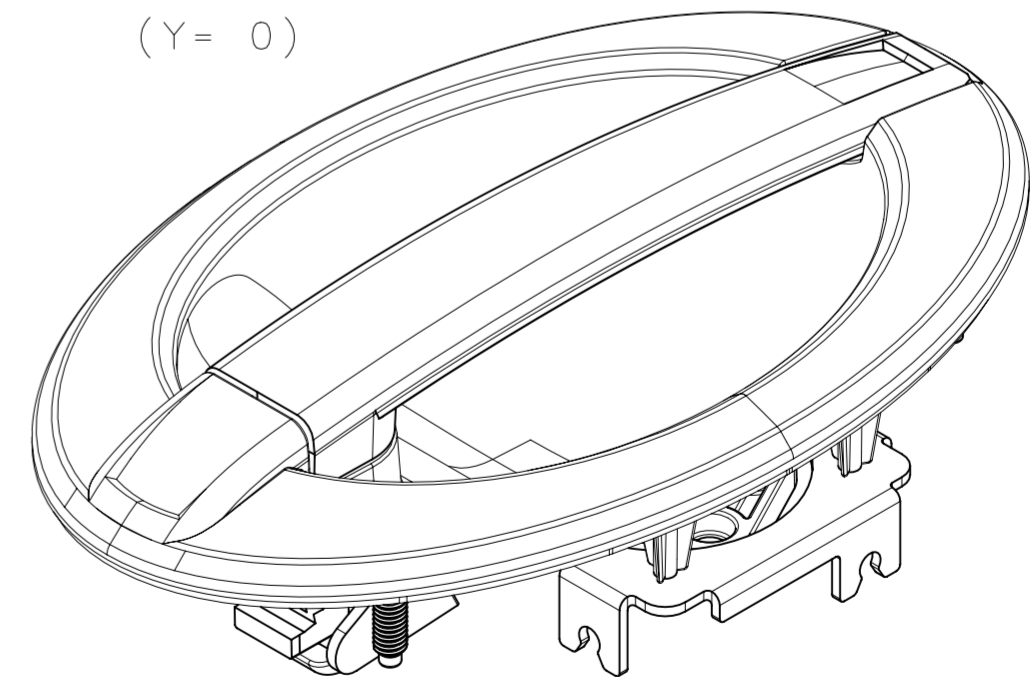
LOCKED



UNLOCKED



NON-LOCKING HANDLE:  
(Y= 0)



NOTES:

- A. ASSEMBLIES SHIPPED TRAY PACKAGED, LAYERED.
- B. MATERIAL AND FINISH:
  - BEZEL, HANDLE, MULTIPOINT ACTUATOR, ROTATING LINK, PULL LINK, ROTATOR PLATE, AND LOCKOUT PAWL: NYLON, BLACK
  - THREADED STUDS: STEEL, ZINC NICKEL PLATE
  - THREADED INSERT: BRASS, NATURAL
  - ALL PINS AND E-CLIP: STAINLESS STEEL, NATURAL
  - ALL RIVETS: ALUMINUM, NATURAL
  - ALL SPRINGS: STAINLESS STEEL, NATURAL
  - LOCKPLUG SEAL: TPE, BLACK
  - LOCKPLUG ADAPTER: ZINC DIE CAST
  - ALL GASKETS: CLOSED CELL FOAM, BLACK
  - CABLE BRACKET & FASTENERS: STEEL, ZINC PLATE
- C. FOR WWW= MK10, MASTER KEY PART NUMBER: PK-24-01
- D. FOR USE WITH RODS/CABLES, RODS NOT SUPPLIED BY SOUTHCO. CABLES AND RETAINER CLIPS SOLD SEPARATELY. RECOMMENDED SNAP IN RETAINER FOR ROTATOR PLATE: SOUTHCO PART NUMBER R4-0-43922. SEE DRAWING J-R4-0-43922 FOR MORE DETAILS AND OPTIONS.
- E. RECOMMENDED CABLE STYLE: SOUTHCO TYPE 7 CABLE, JACKETED CABLE WITH SNUB END COUPLING AND END COUPLING RETAINERS, PLUS L FITTING ON ACTUATOR SIDE. SEE DRAWING J-AC-C FOR MORE DETAILS. CONTACT SOUTHCO FOR CABLE DESIGN SUPPORT.
- F. INSTALLATION TORQUE OF MOUNTING NUTS NOT TO EXCEED 7N-m [62in-lbs].

REVISION HISTORY			
REV	DATE	BY	DESCRIPTION
B	16NOV2018	PK/AJT	PRN: P2018-2636

THIRD ANGLE PROJECTION		 CONNECT · CREATE · INNOVATE	
MILLIMETERS [IN]			
TOLERANCES UNLESS OTHERWISE NOTED		DESCRIPTION	
ALL DIMENSIONS WITHOUT TOLERANCES ARE FOR REFERENCE ONLY.		CUPPED HANDLE ACTUATOR FLUSH MOUNT - OVAL	
PROPRIETARY ITEM		SIZE	SYSTEM
EXCEPT FOR USES EXPRESSLY GRANTED IN WRITING, INFORMATION DISCLOSED HEREON IS CONFIDENTIAL AND ALL RIGHTS, PATENT AND OTHERWISE, ARE RESERVED BY SOUTHCO, INC.		A2	NX
PER ASME Y14.5M-1994		DWG NO.	J-AC-11
		DRAWN BY	DATE
		PK/AJT	07FEB2018
		SCALE	DNS
		SHEET 1 OF 2	

8

7

6

5

4

3

2

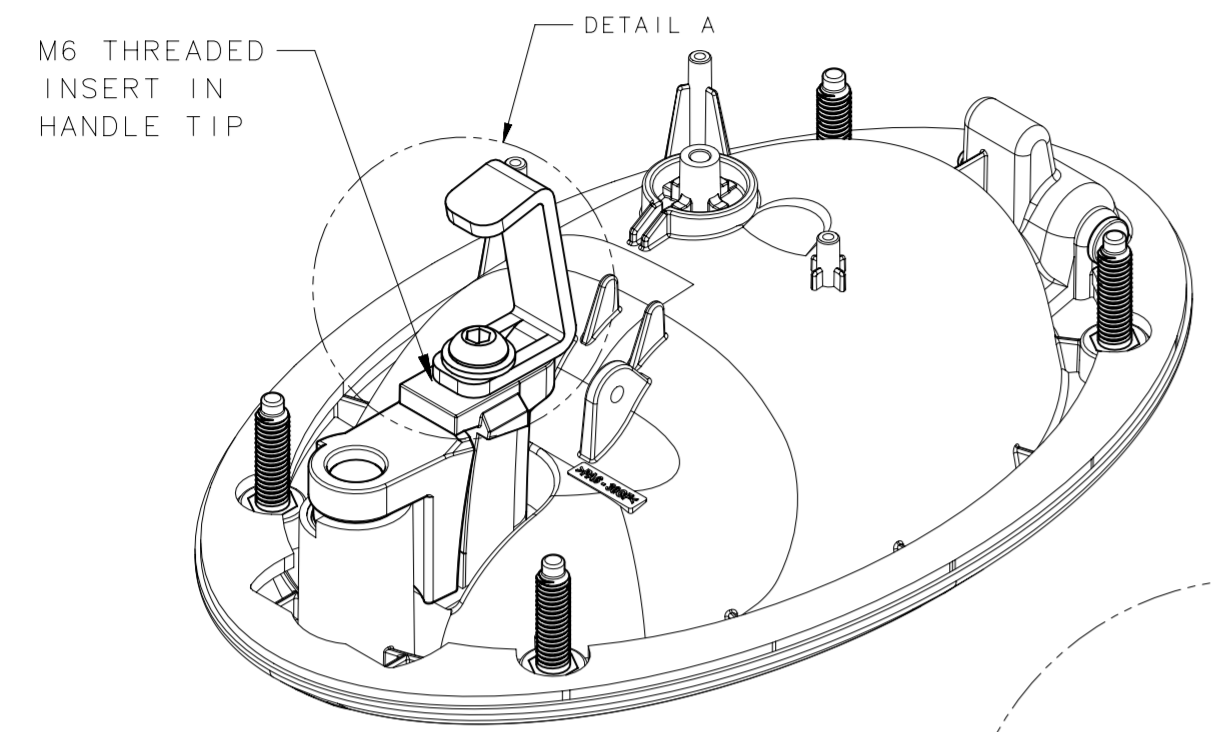
1

REVISION HISTORY			
REV	DATE	BY	DESCRIPTION
B	16NOV2018	PK/AJT	PRN: P2018-2636

DIRECT PULL: 30mm MAX TRAVEL

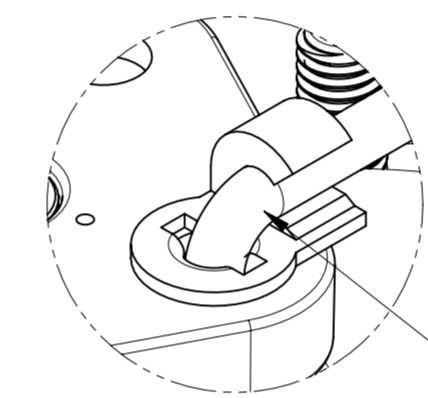
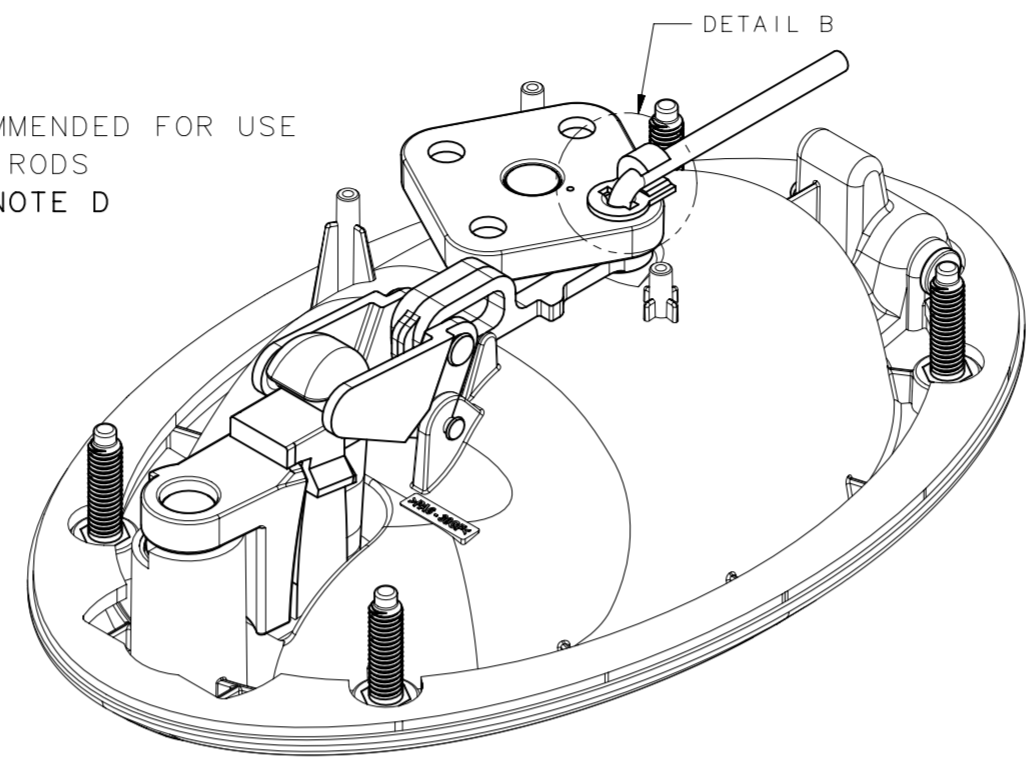
MULTIPOINT, WITHOUT CABLE BRACKET:  
12.5mm MAX TRAVEL (SEE BELOW)

MULTIPOINT, WITH CABLE BRACKET:  
12.5mm MAX TRAVEL (SEE BELOW)



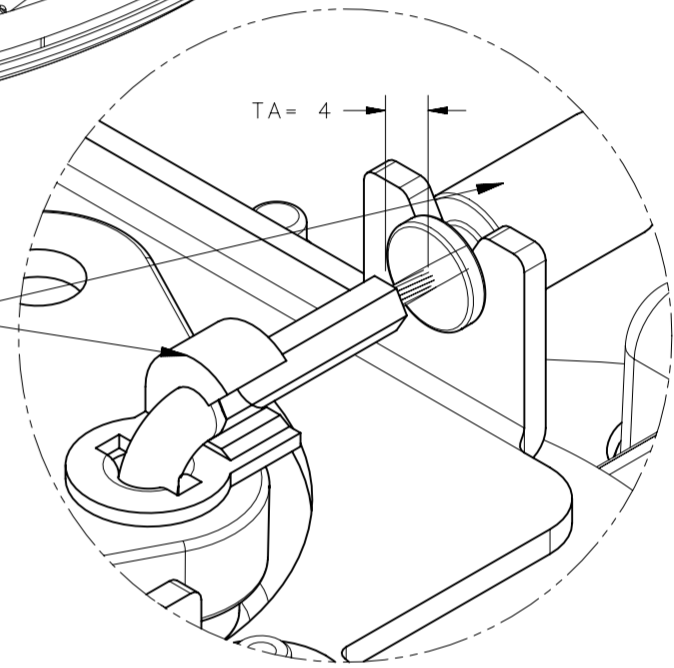
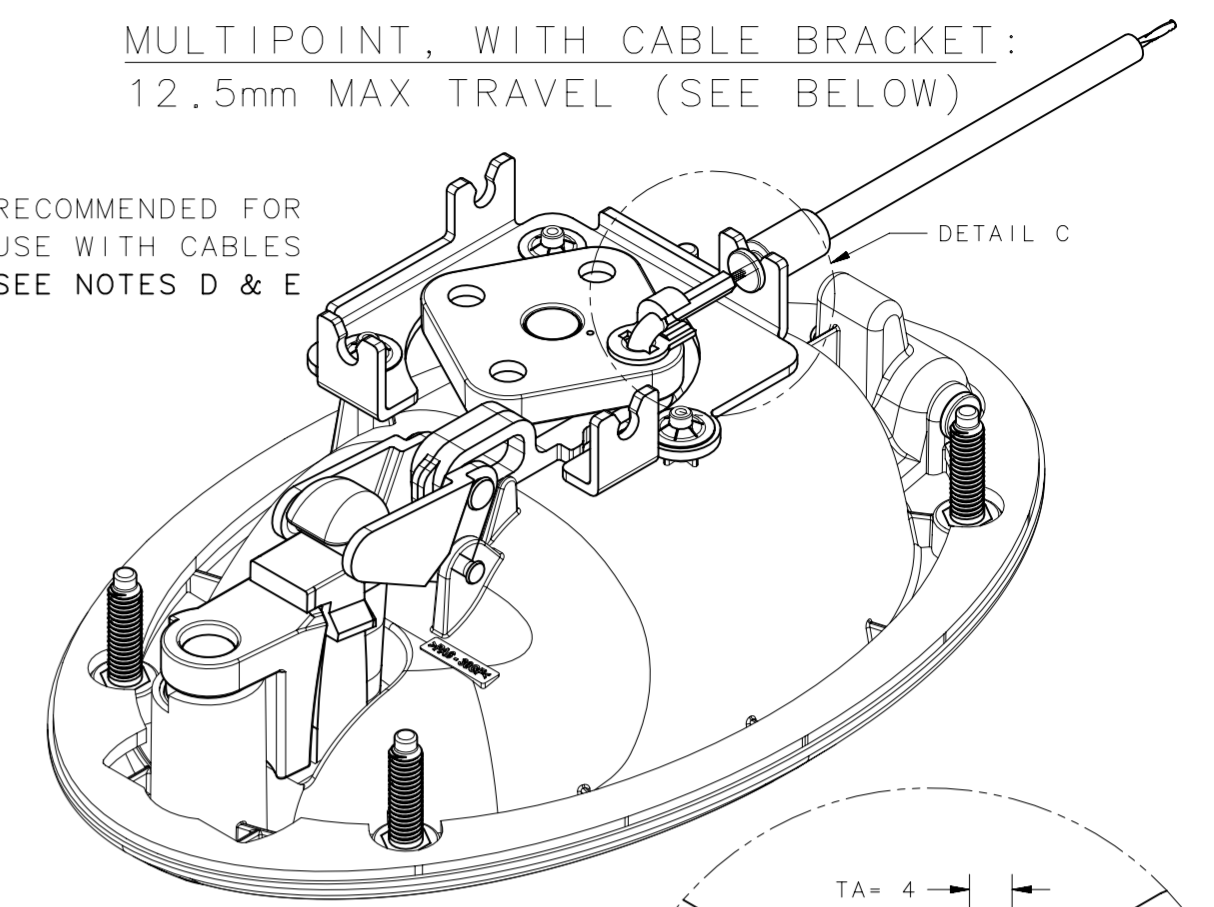
SCALE 3:4

RECOMMENDED FOR USE WITH RODS  
SEE NOTE D



DETAIL B  
SCALE 2:1

RECOMMENDED FOR USE WITH CABLES  
SEE NOTES D & E

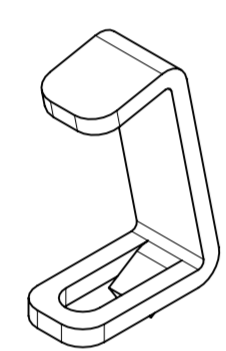
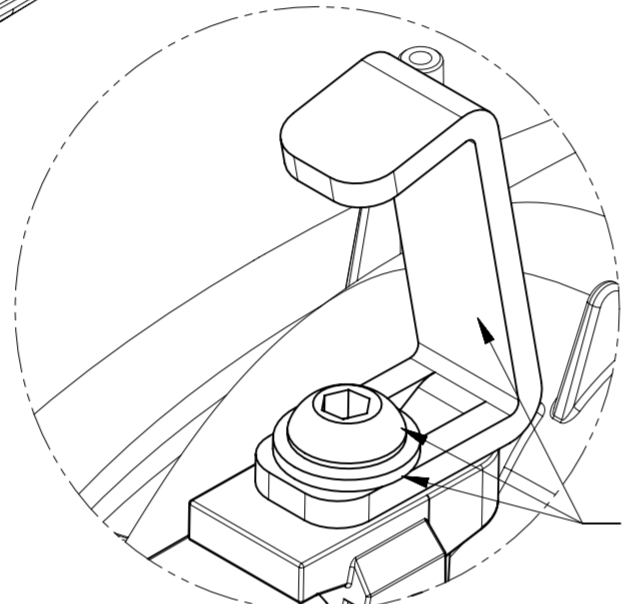


DETAIL C  
SCALE 2:1

SEE NOTES D & E

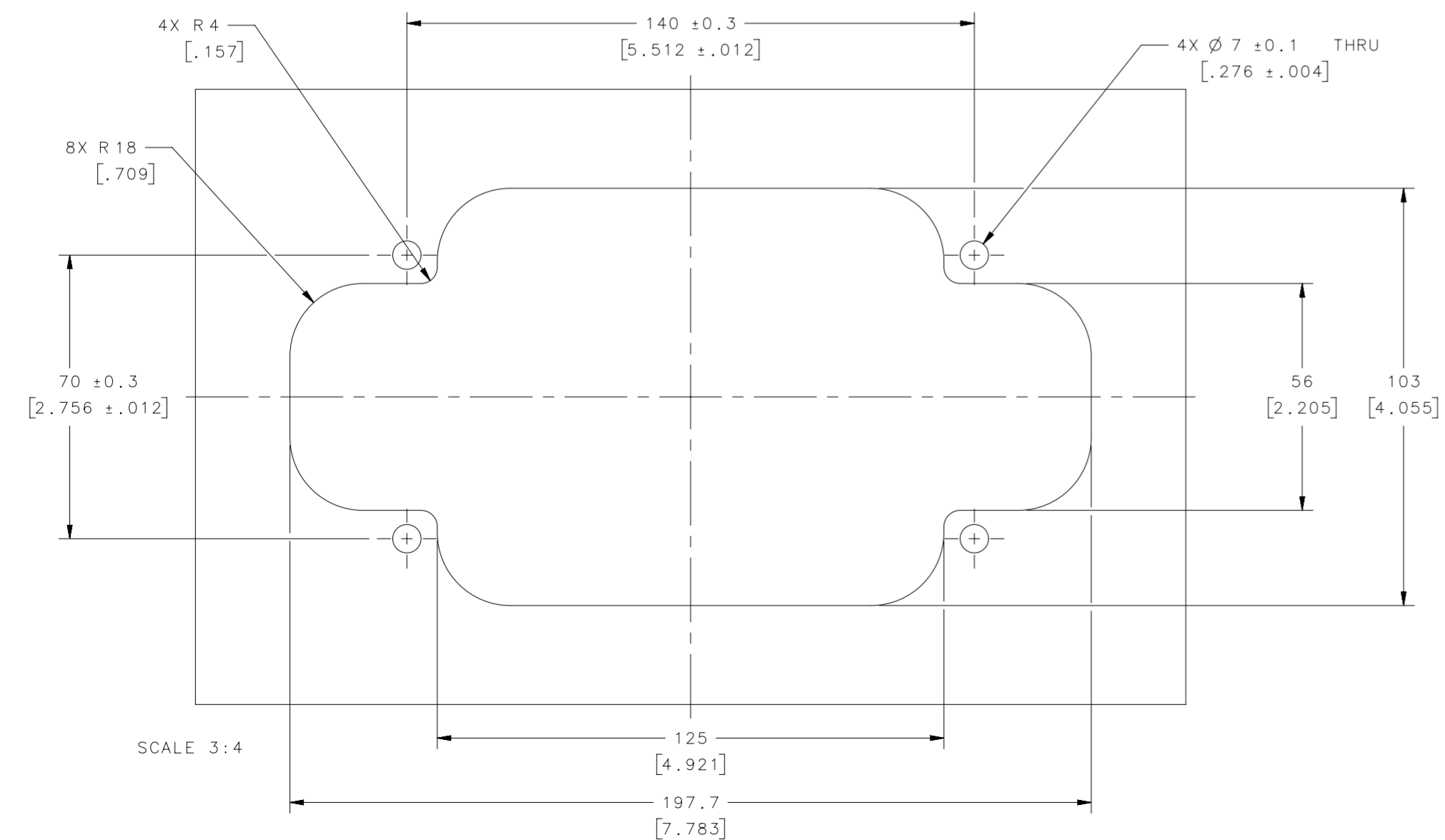
TRIGGER PULL AND M6 SCREW/WASHER NOT INCLUDED

DETAIL A  
SCALE 3:2

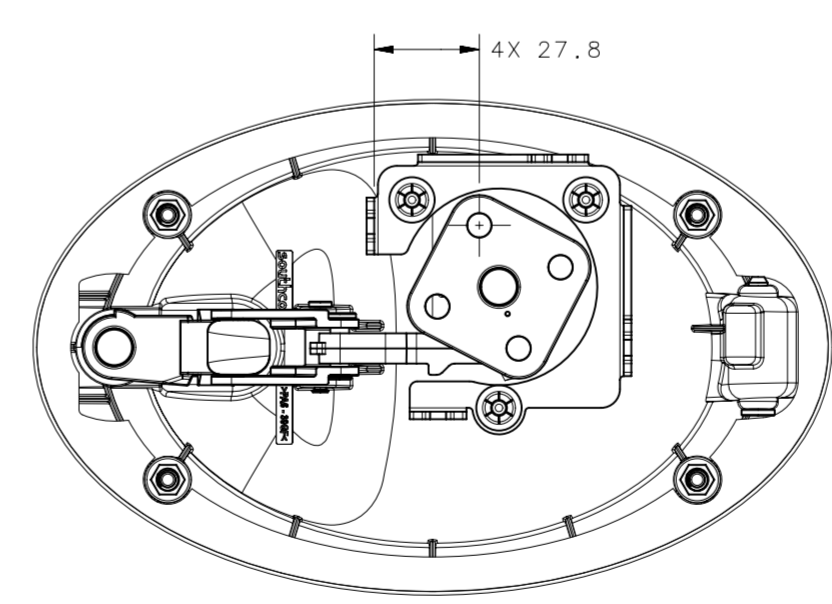


TRIGGER PULL SOLD SEPARATELY. SEE DRAWING J-R4-0-51292 FOR MORE DETAIL.

PANEL PREPARATION  
MAX RECOMMENDED THICKNESS: 14mm

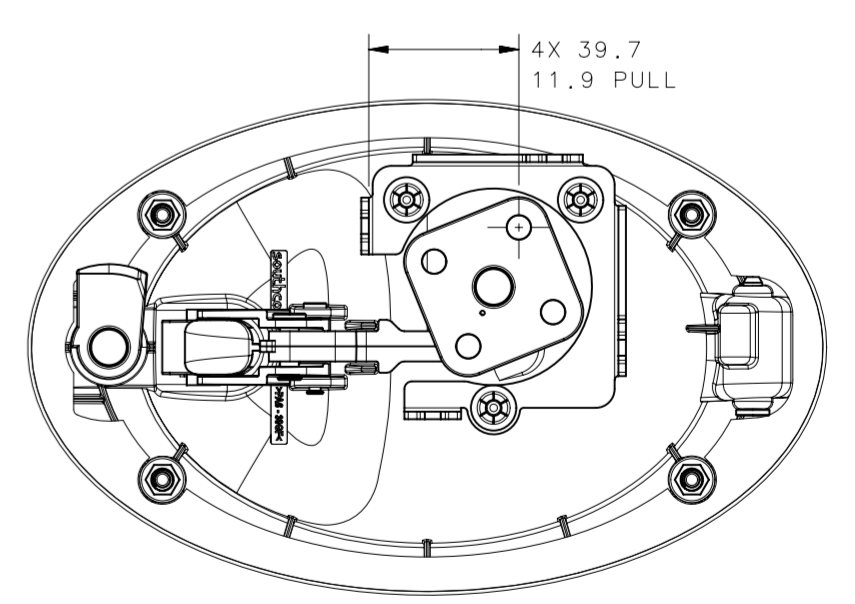


ROTATOR PLATE TRAVEL



SCALE 1:2

CLOSED



OPEN

THIRD ANGLE PROJECTION		 CONNECT · CREATE · INNOVATE	
MILLIMETERS [IN]			
SURFACE AREA		DESCRIPTION	
VOLUME		CUPPED HANDLE ACTUATOR FLUSH MOUNT - OVAL	
PROPRIETARY ITEM EXCEPT FOR USES EXPRESSLY GRANTED IN WRITING, INFORMATION DISCLOSED HEREIN IS CONFIDENTIAL AND ALL RIGHTS, PATENT AND OTHERWISE, ARE RESERVED BY SOUTHCO, INC.		SIZE SYSTEM	DWG NO.
PER ASME Y14.5M-1994		A2 NX	J-AC-11
		DRAWN BY	DATE
		PK/AJT	07FEB2018
		SCALE	SHEET
		DNS	2 OF 2