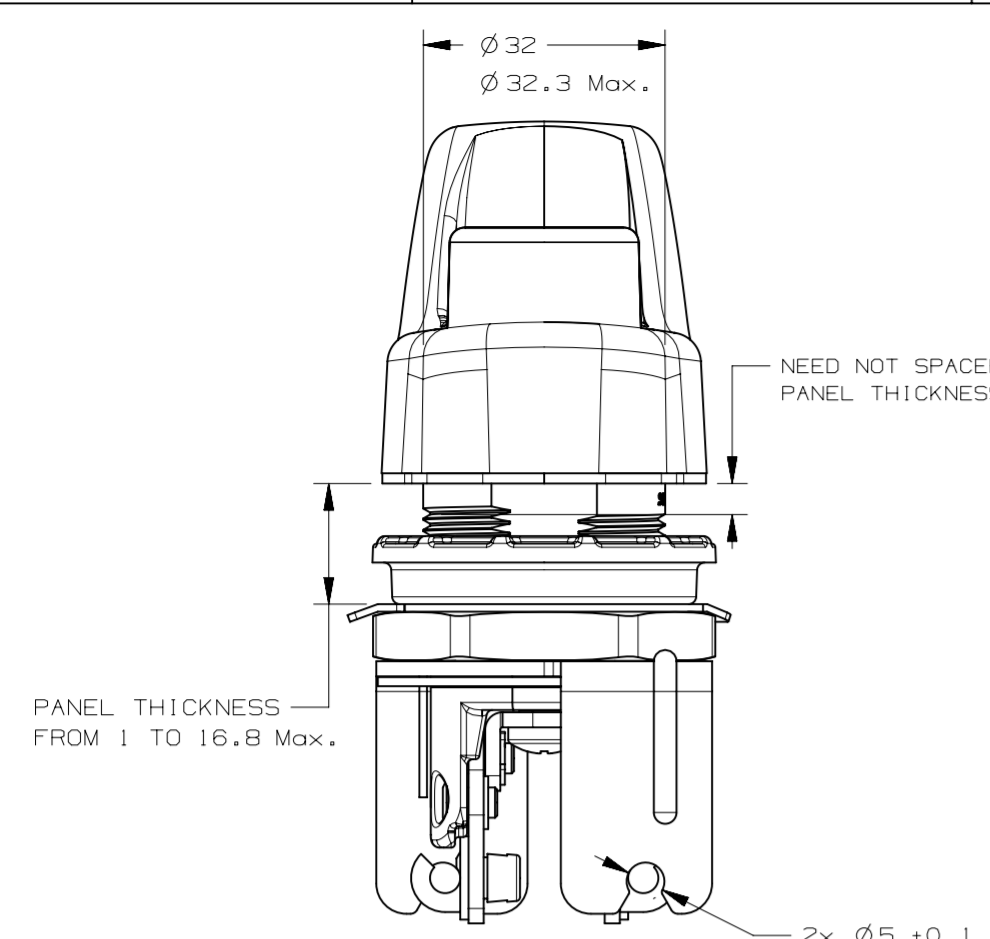
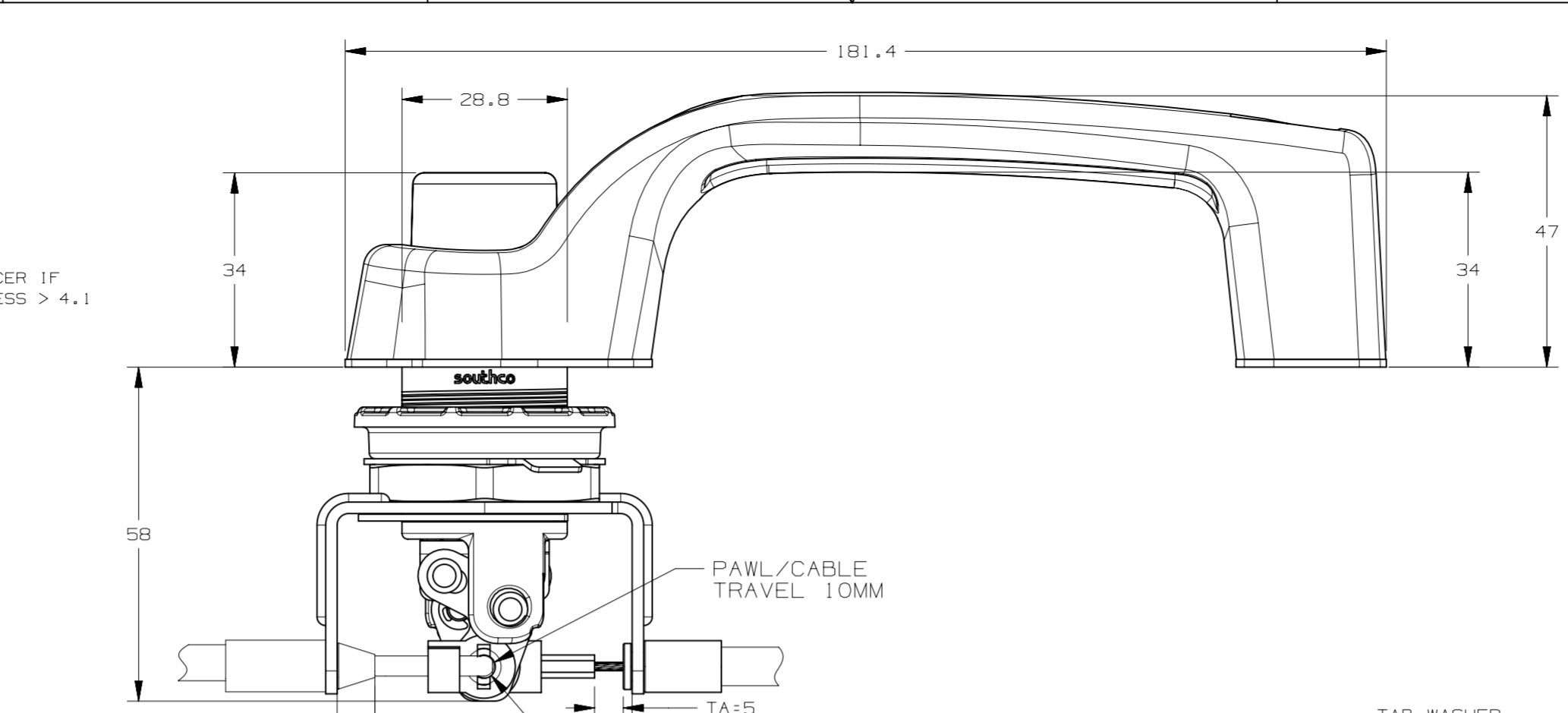


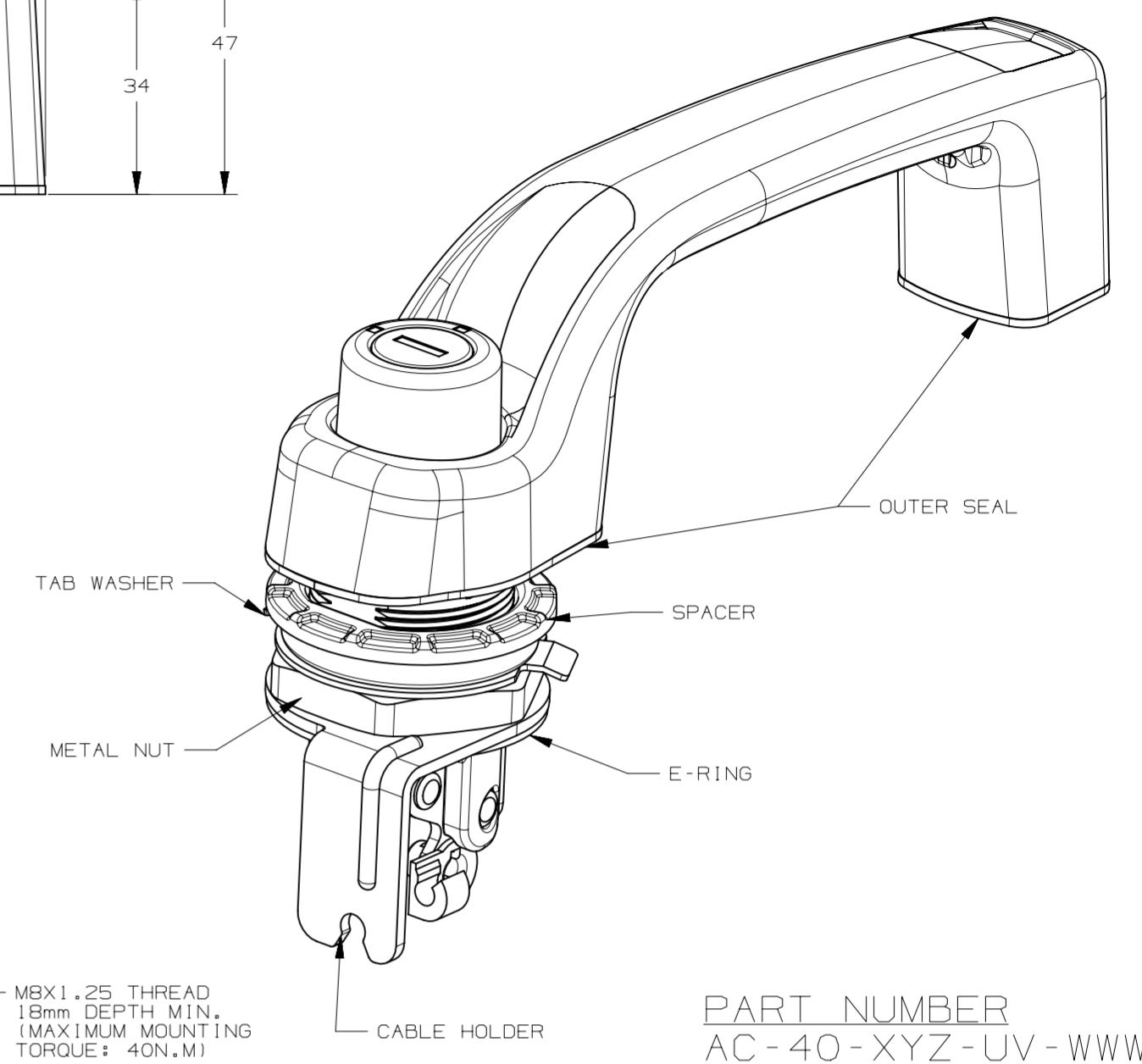
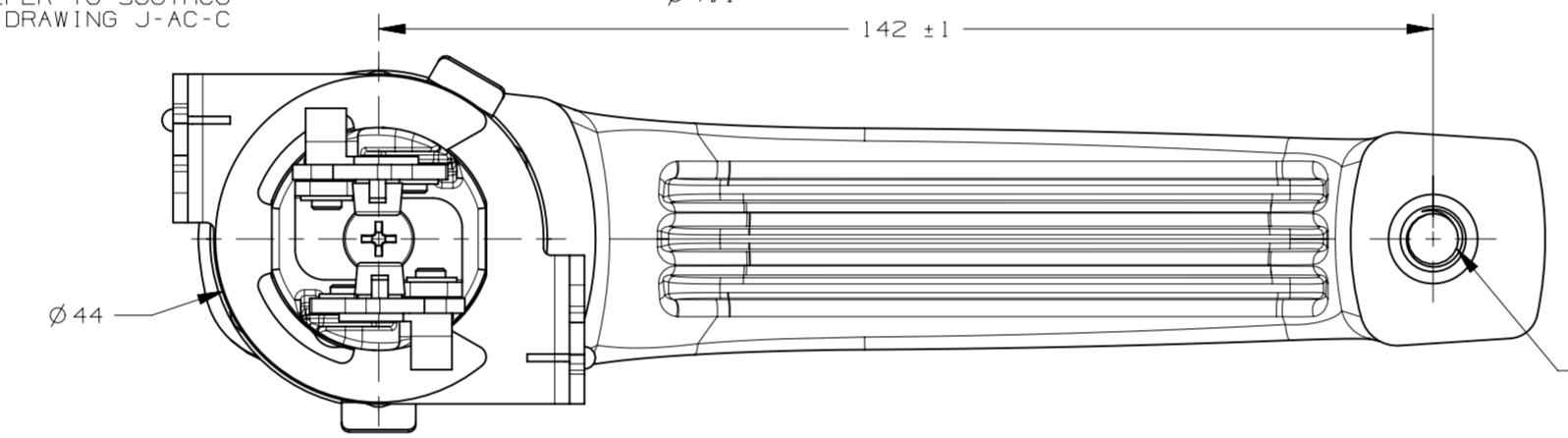
REVISION HISTORY			
REV	DATE	BY	DESCRIPTION
J	29JUN2017	DMS/YGC	PRN: P2017-1560



AC-40-1YZ



PAWL/CABLE TRAVEL 10MM
 TA=0 (FOR CONICAL END CABLE TYPES 3, 5 OR 7) REFER TO SOUTHCO DRAWING J-AC-C
 TA=5 (FOR SNUB END CABLE TYPES 6 OR 7) REFER TO SOUTHCO DRAWING J-AC-C



PART NUMBER
AC-40-XYZ-UV-WWWW

END STYLE
 LOCKING OPTION
 MOUNTING METHOD
 HANDLE MATERIAL
 BUTTON FINISH
 KEY CODES

END STYLE - X:
 1-WITH PAWL ATTACHMENT
 3-WITHOUT PAWL ATTACHMENT

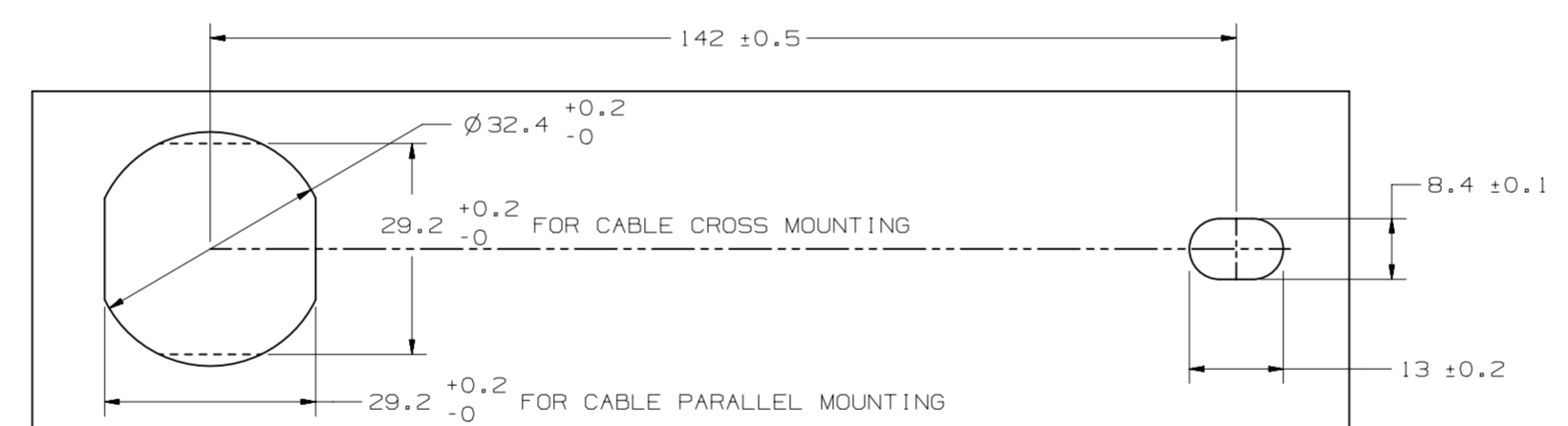
LOCKING OPTION - Y:
 0-NON-LOCKING
 1-REVERSIBLE KEY (NO KEYS - R001)
 2-REVERSIBLE KEY (2 KEYS INCLUDED - R001)
 3-REVERSIBLE KEY (MULTIPLE KEY CODES - 2 KEYS INCLUDED)
 4-STANDARD KEY (NO KEYS - CH751)
 5-STANDARD KEY (2 KEYS INCLUDED - CH751)
 6-STANDARD KEY (MULTIPLE KEY CODES - 2 KEYS INCLUDED)
 9-WITHOUT INSTALL LOCK PLUG

MOUNTING METHOD - Z (SEE SHEET 2):
 1-CABLE PARALLEL (OR NO CABLE), WITH SPACER MOUNTING - MUST HAVE IF GLASS PANEL
 2-CABLE PARALLEL (OR NO CABLE), WITHOUT SPACER MOUNTING
 3-CABLE CROSS, WITH SPACER MOUNTING - MUST HAVE IF GLASS PANEL
 4-CABLE CROSS, WITHOUT SPACER MOUNTING

HANDLE MATERIAL - U:
 1-BLACK GF NYLON WITH ZINC HOUSING INSERT
 2-BLACK GF NYLON WITH STAINLESS STEEL HOUSING INSERT

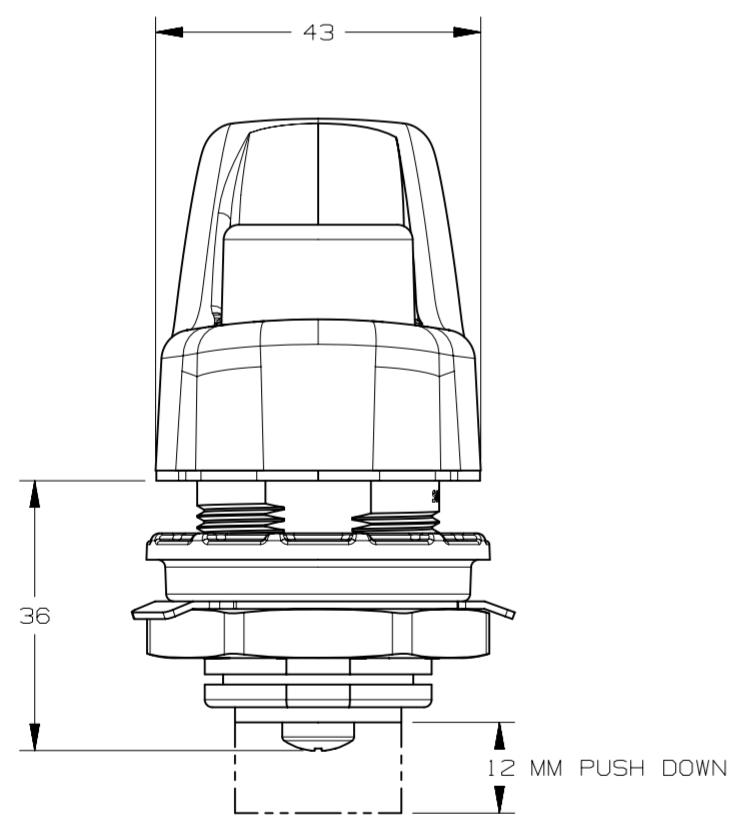
BUTTON MATERIAL & FINISH - V:
 1-NYLON WITH BLACK MOLDING

KEY CODES (ONLY USE WHEN Y=3 OR 6) - WWWW:
 KD10-KEYED DIFFERENTLY (10 CODES)
 MK10-MASTER KEYED, KEYED DIFFERENTLY (10 CODES)



PANEL PREPARATION
THICKNESS: 1MM TO 16.8MM Max.

- NOTE:**
- A. HOUSING SEAL, SPACER, METAL NUT, CABLE HOLDER WITH E-RING PACKAGE SEPARATELY
 - B. MATERIAL AND FINISH:
 - BUTTON: REINFORCED NYLON, SEE V;
 - HOUSING: ZINC DIE CAST OR STAINLESS STEEL, SEE U FOR HOUSING MATERIAL AND FINISH
 - LOCK PLUG: ZINC DIE CAST WITH BRIGHT STAINLESS COVER
 - MOUNTING NUT, ROTATION SHAFT: ZINC DIE CAST OR STAINLESS STEEL,
 - PAWL, PAWL WASHER, RIVET: STAINLESS STEEL, PASSIVATED
 - E-RING, SCREW, SPRING: STAINLESS STEEL, PASSIVATED
 - C. INSTALLATION:
 1. INSERT ACTUATOR HANDLE WITH SEAL INTO HOLE OF DOOR, CHECK FOR PROPER ORIENTATION AND OPERATION
 2. INSTALL SPACER, TAB WASHER, METAL NUT, M8X1.25 SCREW (NOT SUPPLIED, CUSTOMER NEED SELECT APPROPRIATE LENGTH PER PANEL THICKNESS) ONTO HOUSING, RECOMMENDED TIGHTENING TORQUE (M32X1.5 NUT): FOR STAINLESS STEEL NUT AND HOUSING: 100Nm MAX. FOR ZINC ALLOY NUT AND HOUSING: 50Nm MAX. RECOMMENDED TIGHTENING TORQUE (M8X1.25): 40Nm MAX.
 3. CLIP ONE SIDE OF TAB WASHER TO HOLD METAL NUT, MUST TOUCH WITH THE SIDE WALL OF NUT, MAXIMUM CLEARANCE 1MM.
 4. FOR CABLE/ROD CONNECTION: INSTALL THE CABLE HOLDER AND CLIP WITH E-RING, MOUNTING CABLE ON PAWL WITH HOLDER
 - D. ASSEMBLY CAN BE CONFIGURED WITH 1 OR 2 CABLES, RECOMMENDED SOUTHCO CABLE TYPE 3. USE FITTING TYPE B OR K (L FITTING) FOR ACTUATOR END
 TA = 0, CABLES SOLD SEPARATELY.
 REFER TO SOUTHCO DRAWING J-AC-C FOR CABLE SELECTION GUIDE.
 - E. SEE SHEET 2 FOR CABLE MOUNTING DIRECTION WITH LOCK-UNLOCK ORIENTATION



AC-40-3YZ
WITHOUT END, DIRECTLY ACTUATION (SAME AS AC-40-1YZ EXCEPT OF NO CABLE HOLDER, C WASHER, PAWL, HOUSING DIFFERENT)

AC-40-XYZ-UV-WWWW PART NUMBER		SEE NOTES MATERIAL	SEE NOTES FINISH
THIRD ANGLE PROJECTION			
MILLIMETERS [IN]			
SURFACE AREA		TOLERANCES UNLESS OTHERWISE NOTED	
VOLUME		DESCRIPTION PUSH BUTTON HANDLE ENTRY ACTUATOR	
PROPRIETARY ITEM EXCEPT FOR USES EXPRESSLY GRANTED IN WRITING, INFORMATION DISCLOSED HEREON IS CONFIDENTIAL AND ALL RIGHTS, PATENT AND OTHERWISE, ARE RESERVED BY SOUTHCO, INC.		SIZE SYSTEM A2 NX	DWG NO. J-AC-40
PER ASME Y14.5M-1994		DRAWN BY MZ	DATE 10FEB2010
		SCALE 1:1	SHEET 1 OF 2

8

7

6

5

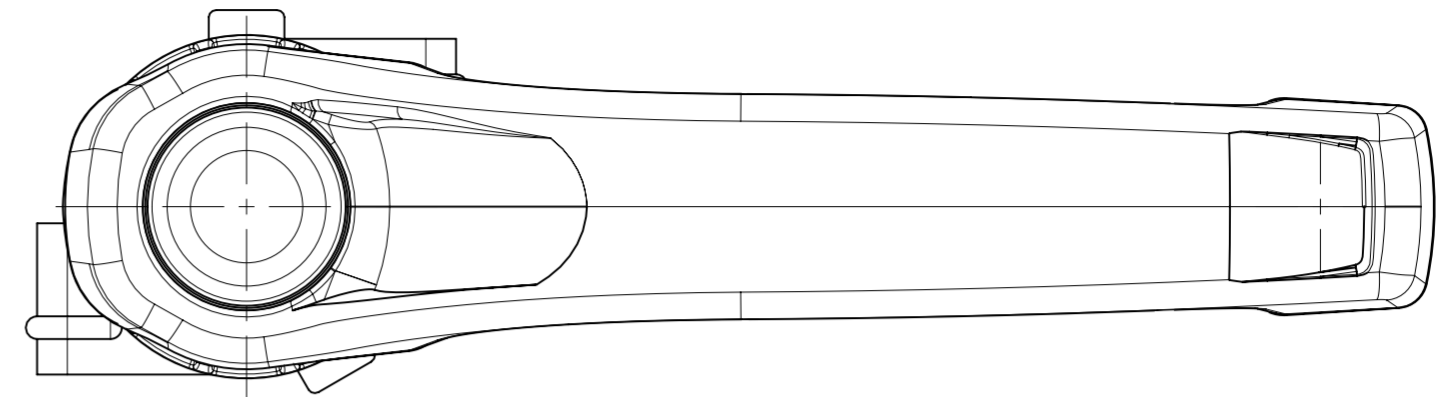
4

3

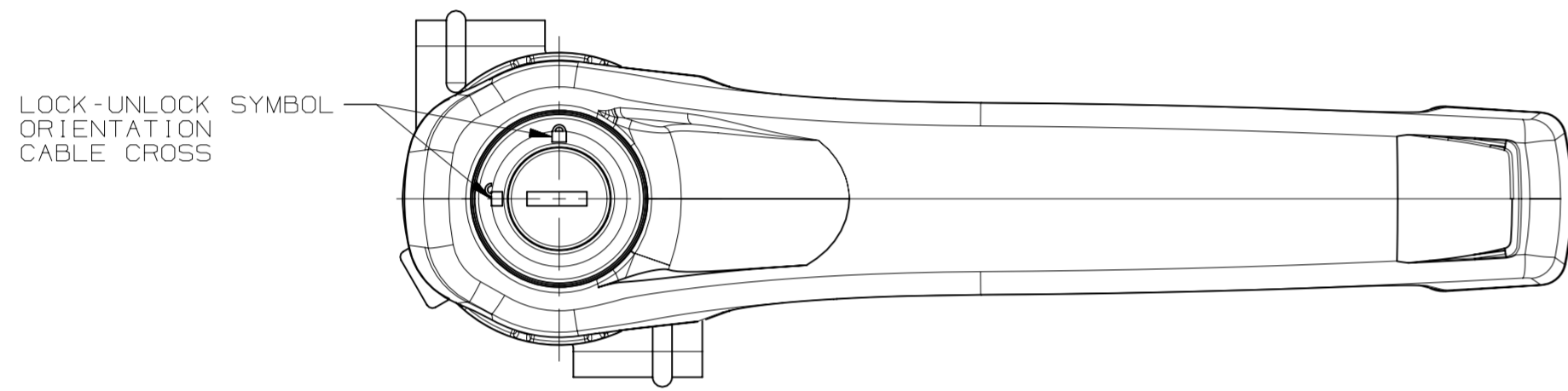
2

1

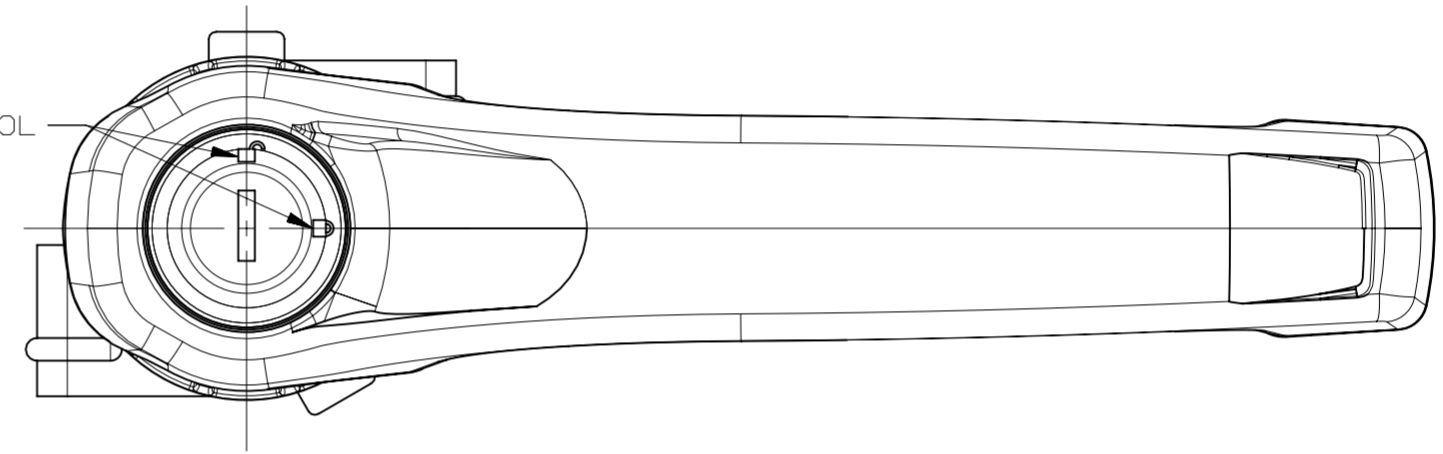
REVISION HISTORY			
REV	DATE	BY	DESCRIPTION
J	29JUN2017	DMS/YGC	PRN: P2017-1560



NON-LOCKING VERSION (Y=0)

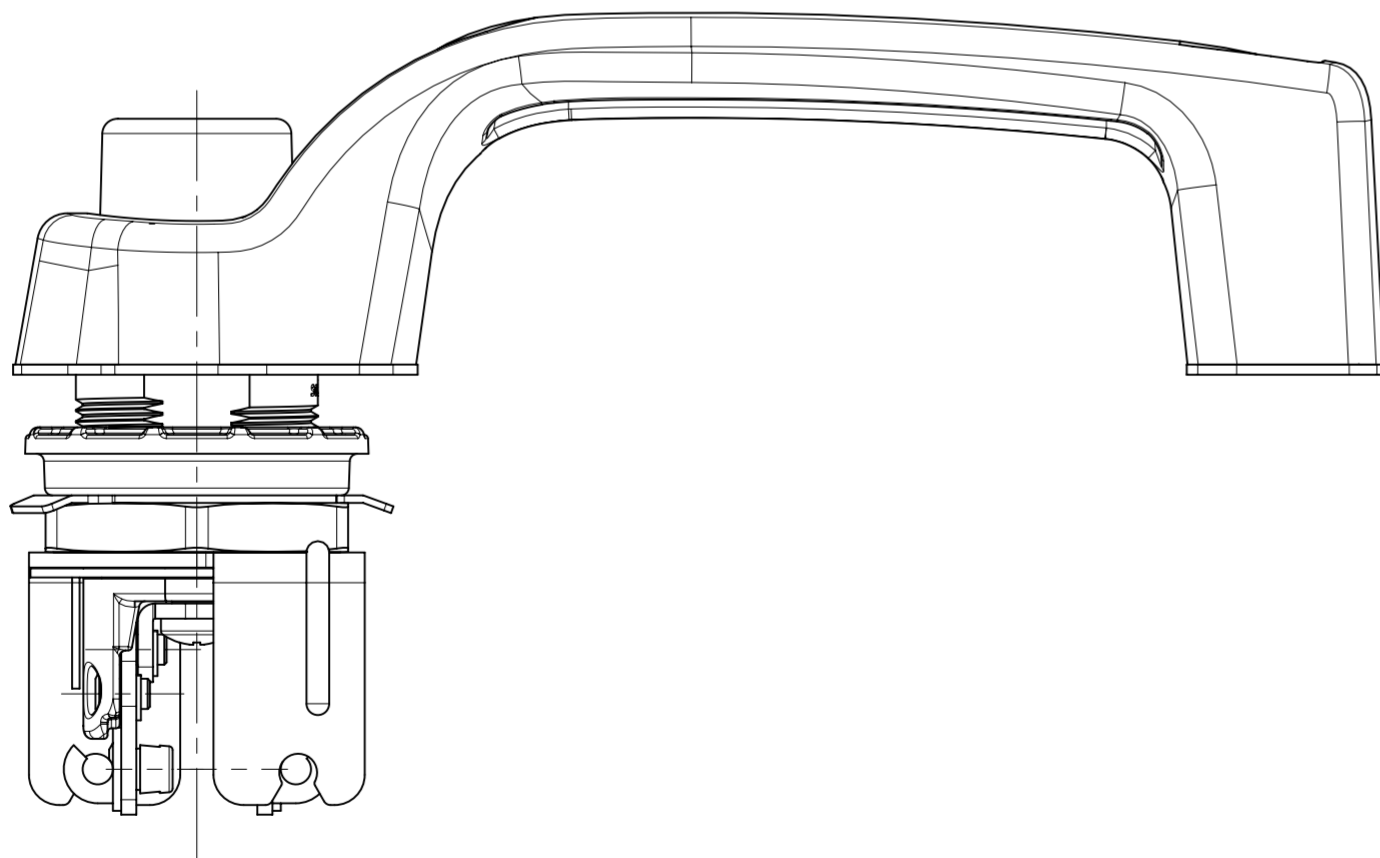


LOCK-UNLOCK SYMBOL
ORIENTATION
CABLE CROSS

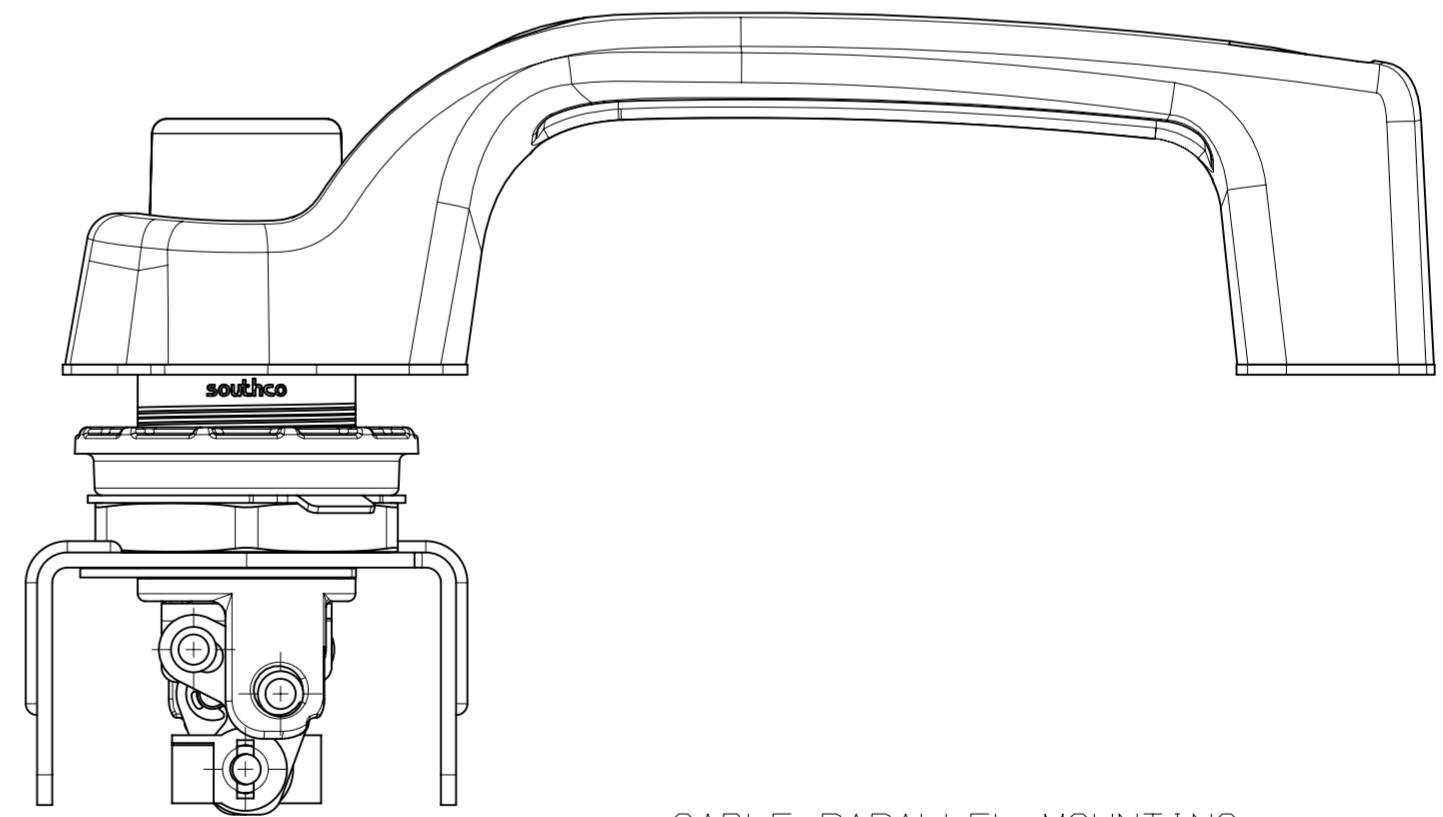


LOCK-UNLOCK SYMBOL
ORIENTATION
CABLE PARALLEL

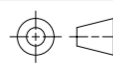

LOCKING VERSION



CABLE CROSS MOUNTING
Z=3 OR 4



CABLE PARALLEL MOUNTING
Z=1 OR 2

THIRD ANGLE PROJECTION				 CONNECT · CREATE · INNOVATE	
MILLIMETERS [IN]					
TOLERANCES UNLESS OTHERWISE NOTED		DESCRIPTION PUSH BUTTON HANDLE ENTRY ACTUATOR			
ALL DIMENSIONS WITHOUT TOLERANCES ARE FOR REFERENCE ONLY.		SIZE A2	SYSTEM NX	DWG NO. J-AC-40	
<small>PROPRIETARY ITEM EXCEPT FOR USES EXPRESSLY GRANTED IN WRITING, INFORMATION DISCLOSED HEREIN IS CONFIDENTIAL AND ALL RIGHTS, PATENT AND OTHERWISE, ARE RESERVED BY SOUTHCO, INC.</small>		DRAWN BY MZ	DATE 25MAY2010	SCALE 1:1	SHEET 2 OF 2
PER ASME Y14.5M-1994					

8

7

6

5

4

3

2

1