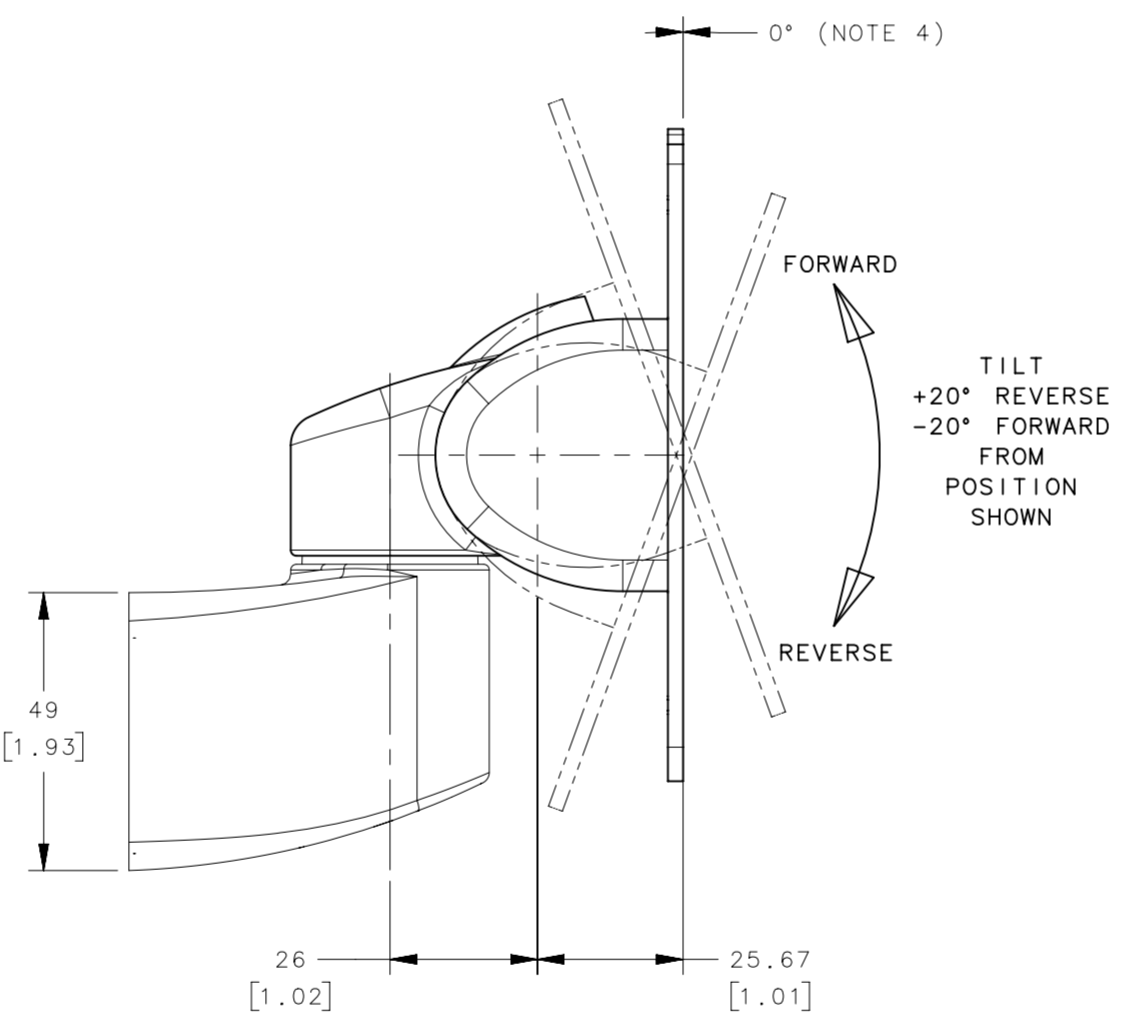
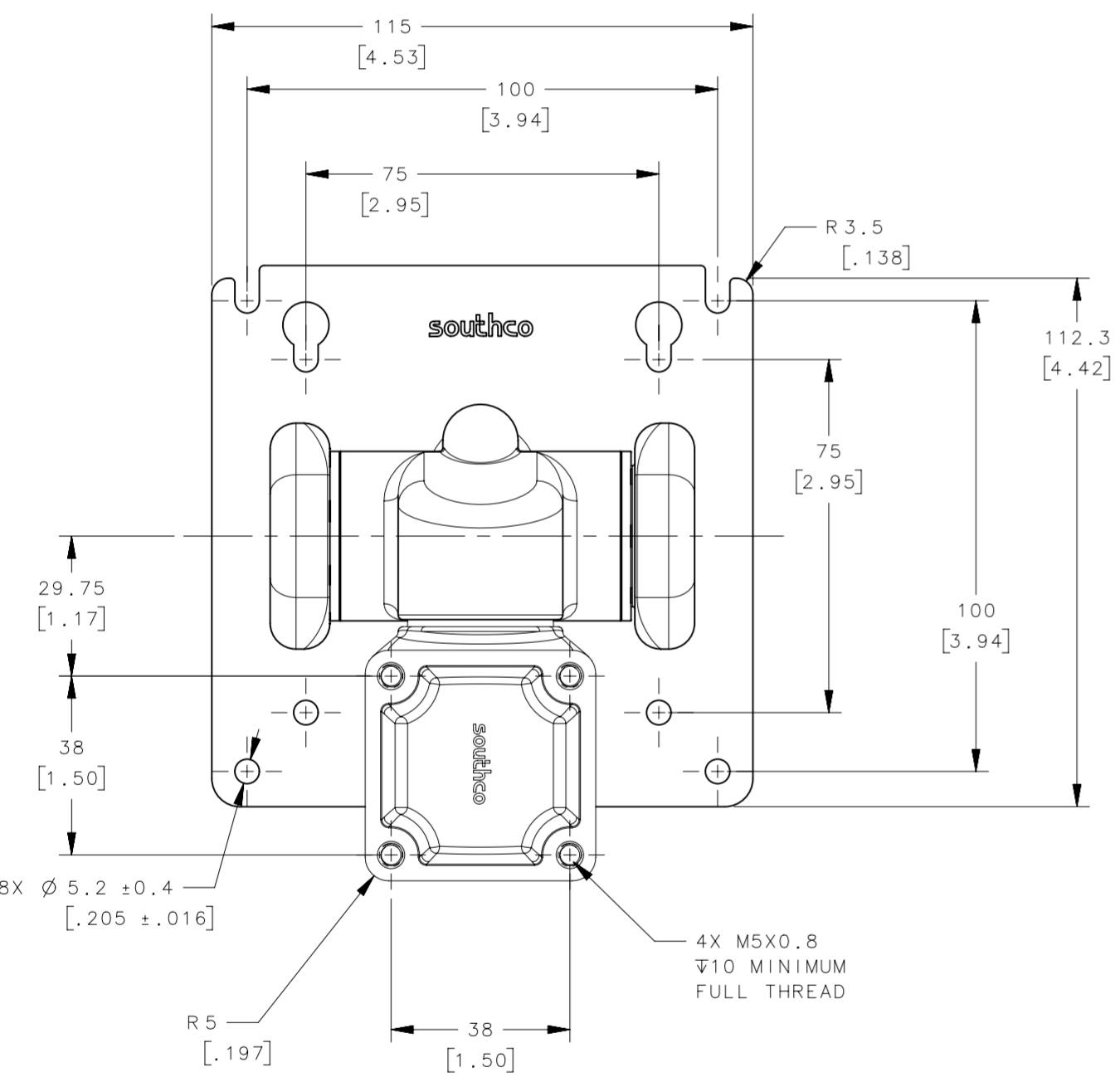
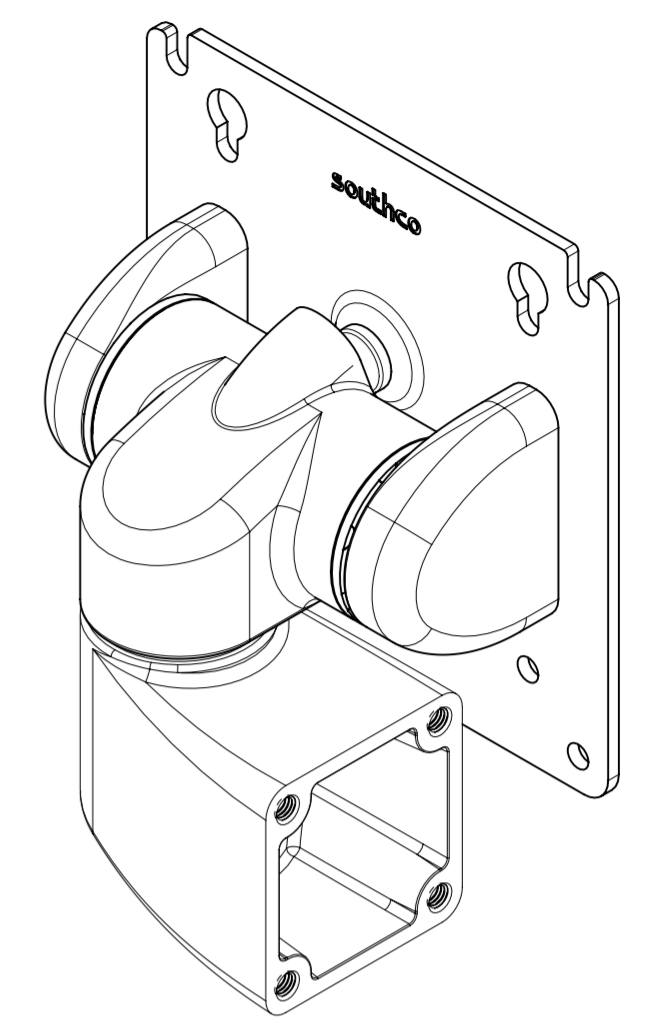
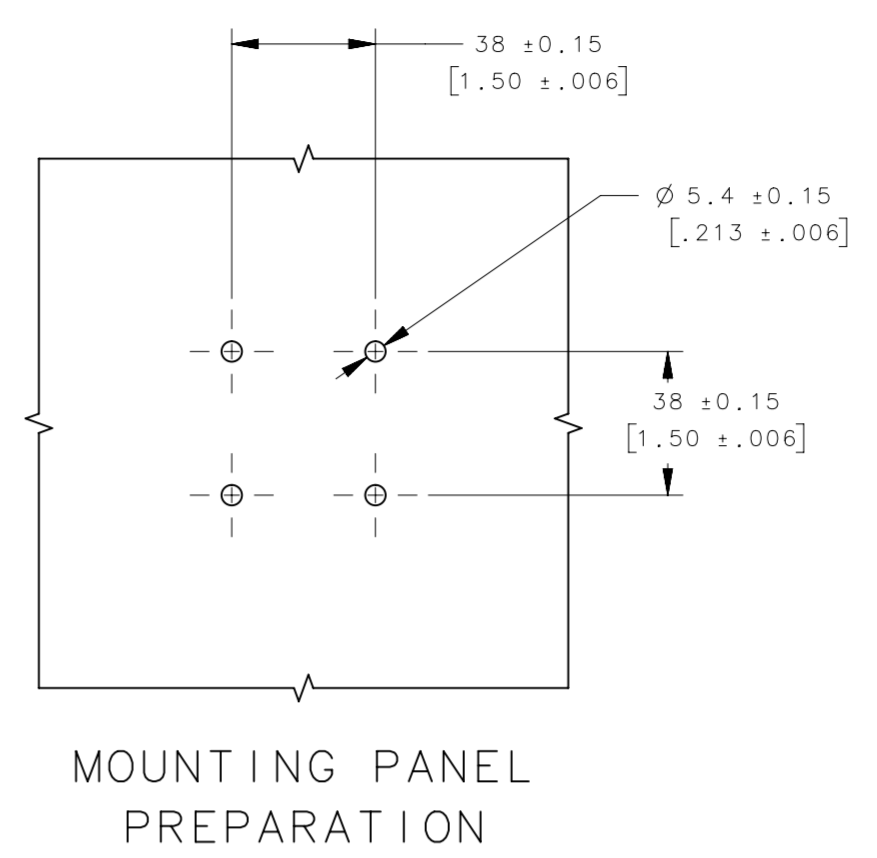
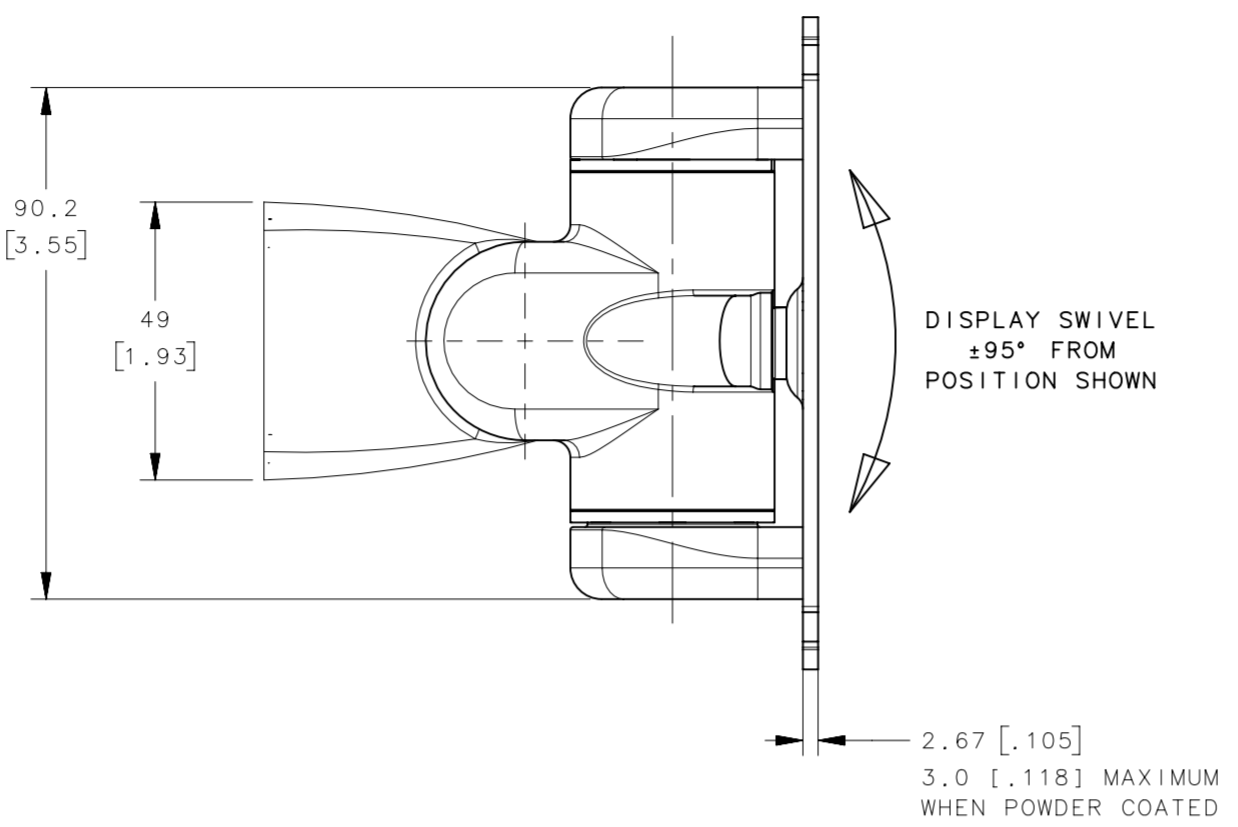
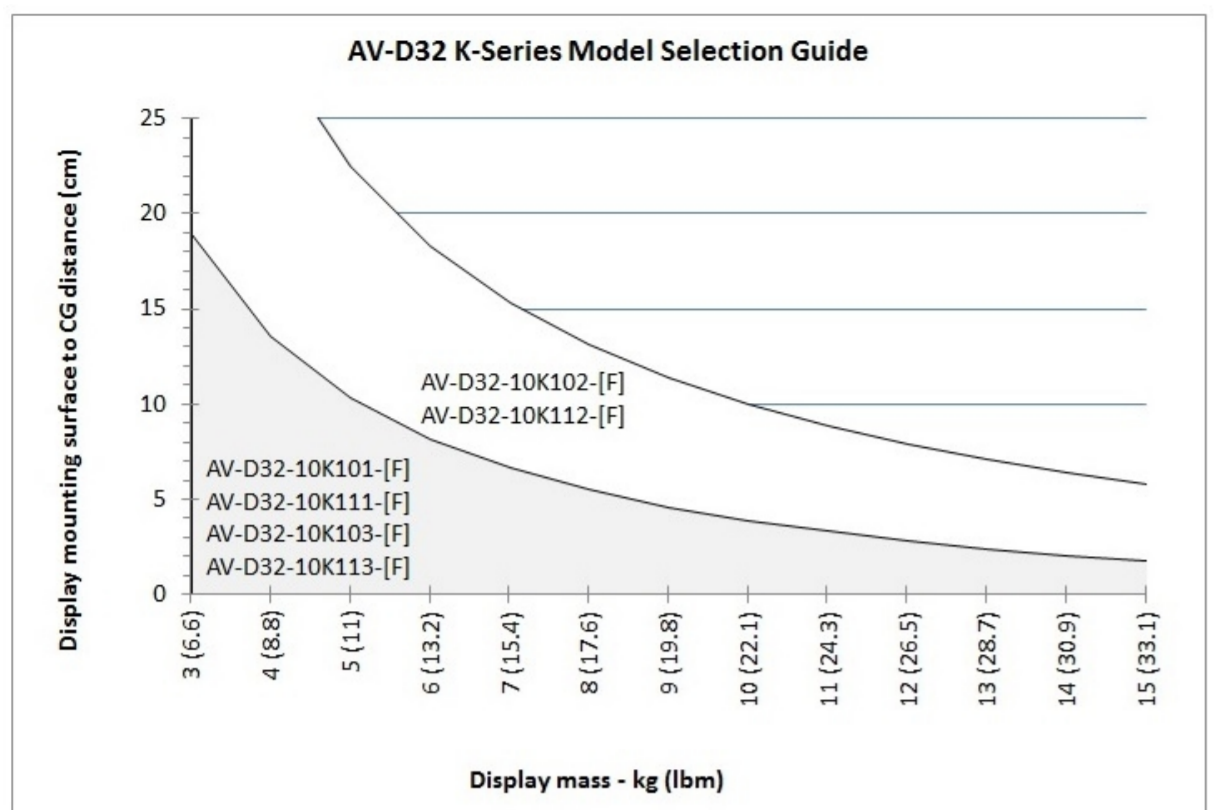


REVISION HISTORY			
REV	DATE	BY	DESCRIPTION
E	07FEB2018	CB1/VK	PRN: P2018-0344



NOTES:

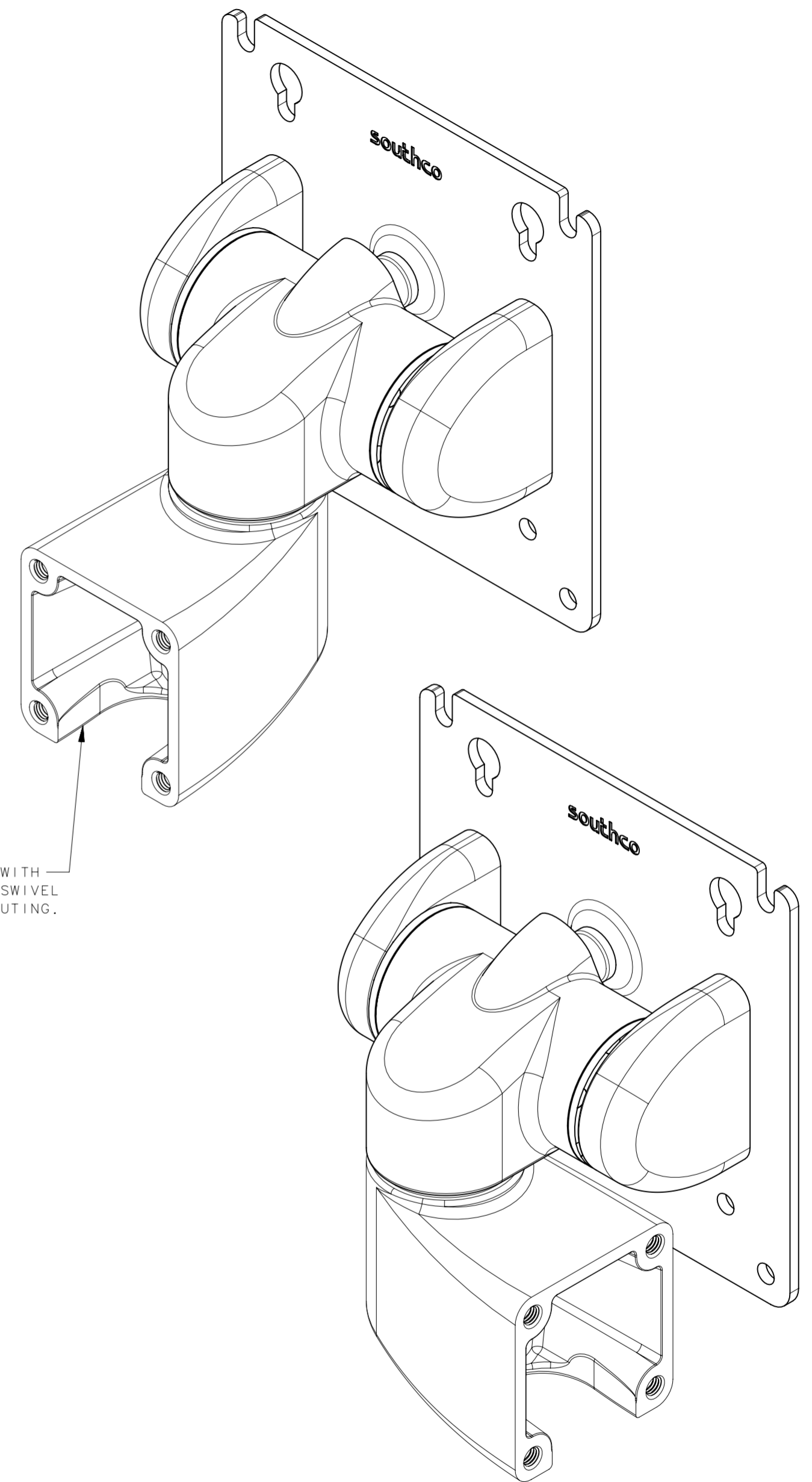
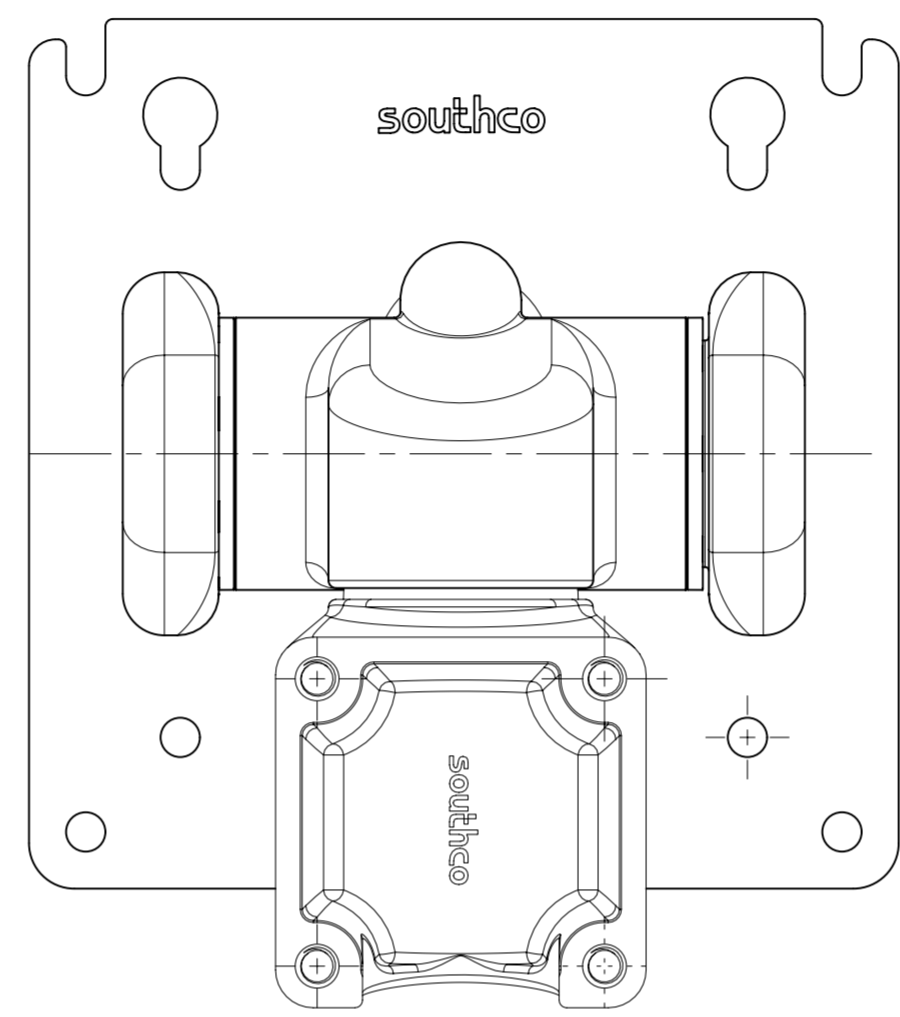
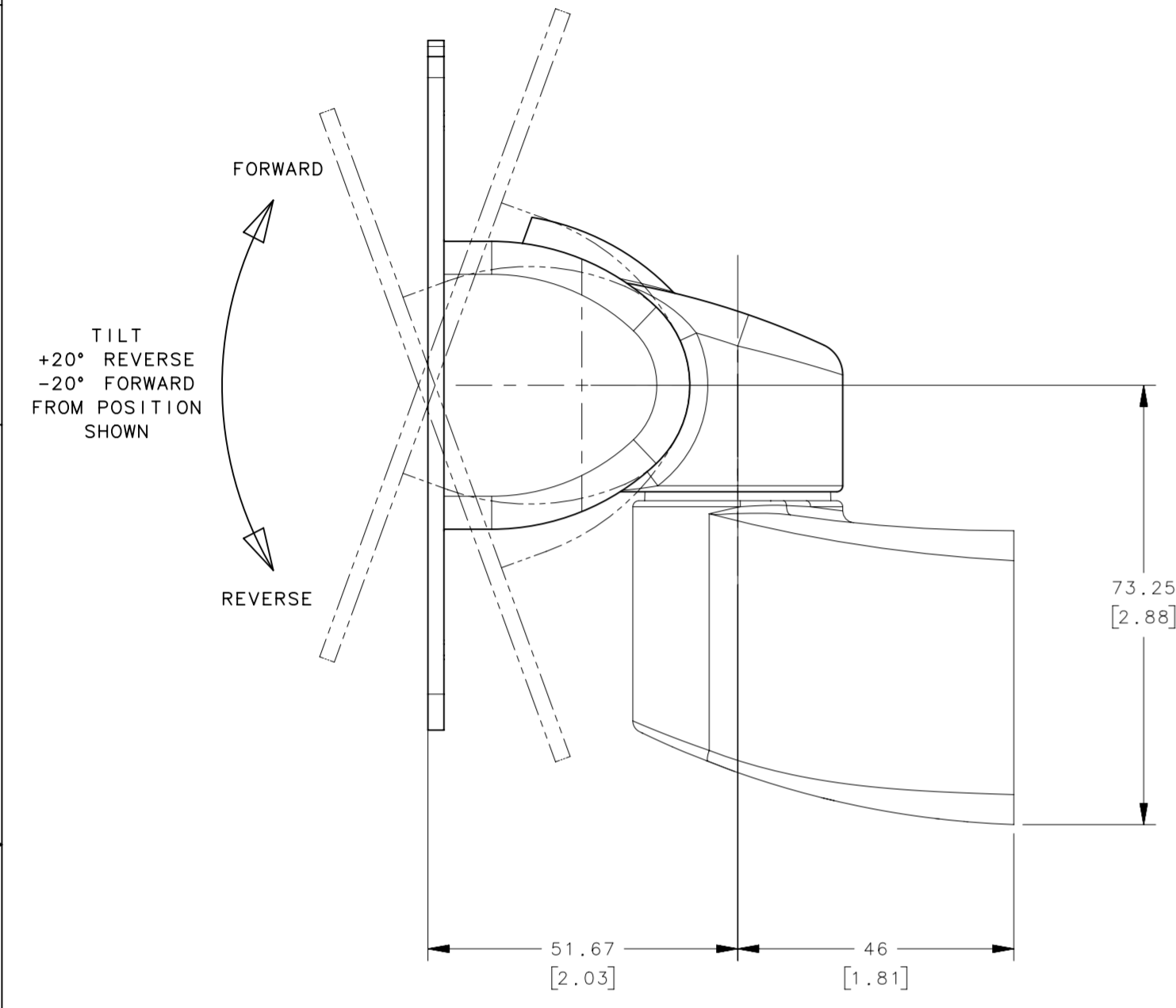
- ALL EXTERIOR SURFACES CLASS C PER SOUTHCO FINISH SPECIFICATION S-121. ALL INTERIOR SURFACES CLASS D PER SOUTHCO FINISH SPECIFICATION S-121.
- TILT TORQUE MEASURED WITH VESA DISPLAY PLATE IN THE VERTICAL (0° ±5°) POSITION WHEN TILTING IN THE REVERSE DIRECTION. NOTE: THE TILT TORQUE VARIES WITH THE COUNTERBALANCE (WHEN EQUIPPED) IN THE FORWARD AND REVERSE DIRECTIONS.
- DISPLAY MOUNTING PLATE TO HOUSING ANGULAR FREE PLAY TO BE 1.5° MAXIMUM.
- MATERIALS AND FINISHES:
 ADAPTERS: DIE CAST ALUMINUM ANODIZED AND POWDER COATED
 TILT HOUSING AND SWIVEL HOUSING: DIE CAST ALUMINUM, POWDER COATED
 TILT SLEEVE AND THRUST WASHER: ACETAL, BLACK
 COILED PIN: STEEL, PHOSPHATE COATED
 TILT SHAFT, TORQUE ELEMENTS AND STOP WASHER: STEEL, NATURAL FINISH
 TORSION SPRING: CARBON STEEL, NICKEL PLATED
 DISPLAY SCREWS: STEEL, BLACK OXIDE
 DISPLAY STOPS: POLYETHYLENE, WHITE
 SWIVEL SHAFT: STAINLESS STEEL AND NYLON
 LUBRICANT: HYDROCARBON BASE

PART NUMBER	PART NUMBER WITH WIRE NOTCH IN BASE	REVERSE TILT TORQUE N*m (lbf*in)	FORWARD TILT TORQUE N*m (lbf*in)	SWIVEL SYMMETRIC TORQUE	COLOR
AV-D32-10K101-50	AV-D32-10K111-50	7.9 (70)	1.13 (10)	4.29 N*m (38 lbf*in)	BLACK
AV-D32-10K101-76	AV-D32-10K111-76	7.9 (70)	1.13 (10)		OFFICE WHITE
AV-D32-10K102-50	AV-D32-10K112-50	15.4 (136)	2.26 (20)	NOMINAL / 2.17 N*m (24 lbf*in) MINIMUM	BLACK
AV-D32-10K102-76	AV-D32-10K112-76	15.4 (136)	2.26 (20)		OFFICE WHITE
AV-D32-10K103-50	AV-D32-10K113-50	8.6 (76)	6.0 (53)		BLACK
AV-D32-10K103-76	AV-D32-10K113-76	8.6 (76)	6.0 (53)		OFFICE WHITE

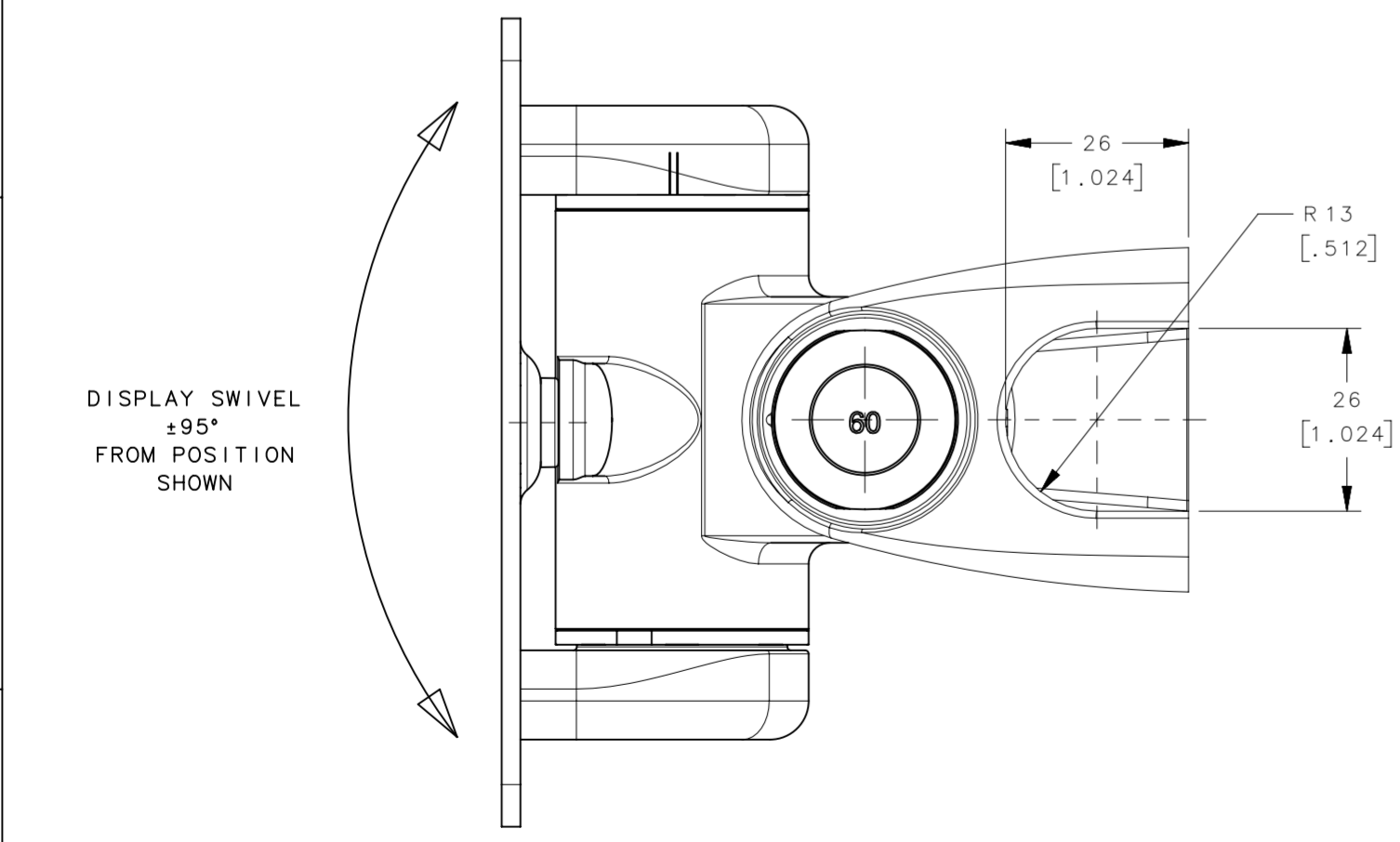
ASSEMBLIES CAN BE ORDERED WITH AN OPTIONAL WIRE NOTCH IN HOUSING FOR EASIER WIRE ROUTING. SEE SHEET 2.

THIRD ANGLE PROJECTION		 CONNECT · CREATE · INNOVATE	
MILLIMETERS [IN]			
SURFACE AREA mm²		TOLERANCES UNLESS OTHERWISE NOTED	
VOLUME mm³		ALL DIMENSIONS WITHOUT TOLERANCES ARE FOR REFERENCE ONLY.	
PROPRIETARY ITEM EXCEPT FOR USES EXPRESSLY GRANTED IN WRITING. INFORMATION DISCLOSED HEREON IS CONFIDENTIAL AND ALL RIGHTS, PATENT AND OTHERWISE, ARE RESERVED BY SOUTHCO, INC.		SIZE A2	SYSTEM NX
PER ASME Y14.5M-1994		DWG NO. J-AV-D32-10K101	DWG NO. J-AV-D32-10K101
		DRAWN BY GEA	DATE 20AUG2012
		SCALE 1:1	SHEET 1 OF 3

REVISION HISTORY			
REV	DATE	BY	DESCRIPTION
E	07FEB2018	CB1/VK	PRN: P2018-0344



ASSEMBLIES CAN BE ORDERED WITH AN OPTIONAL WIRE NOTCH IN SWIVEL HOUSING FOR EASIER WIRE ROUTING.



OPTIONAL WIRE NOTCH DETAIL

THIRD ANGLE PROJECTION				southco CONNECT · CREATE · INNOVATE	
MILLIMETERS [IN]					
SURFACE AREA		TOLERANCES UNLESS OTHERWISE NOTED		DESCRIPTION	
VOLUME		ALL DIMENSIONS WITHOUT TOLERANCES ARE FOR REFERENCE ONLY.		DISPLAY MOUNT TILT & SWIVEL	
PROPRIETARY ITEM		PER ASME Y14.5M-1994		SIZE SYSTEM A2 NX DWG NO. J-AV-D32-10K101	
EXCEPT FOR USES EXPRESSLY GRANTED IN WRITING, INFORMATION DISCLOSED HEREON IS CONFIDENTIAL AND ALL RIGHTS, PATENT AND OTHERWISE, ARE RESERVED BY SOUTHCO, INC.		DRAWN BY GEA		DATE 20AUG2012	
		SCALE 1:1		SHEET 2 OF 3	

8

7

6

5

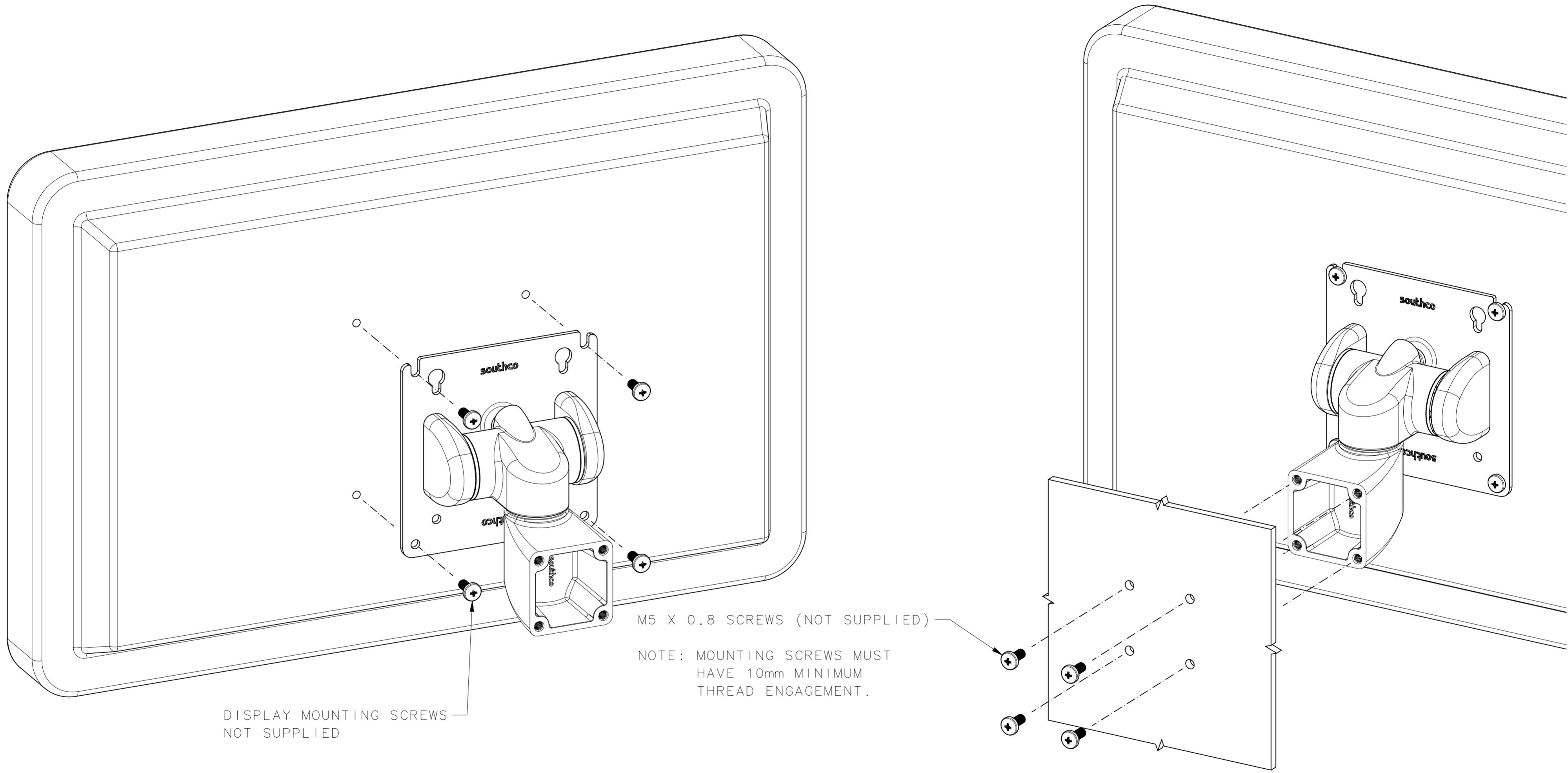
4

3

2

1

REVISION HISTORY			
REV	DATE	BY	DESCRIPTION
E	07FEB2018	CB1/VK	PRN: P2018-0344



DISPLAY MOUNTING SCREWS NOT SUPPLIED

M5 X 0.8 SCREWS (NOT SUPPLIED)

NOTE: MOUNTING SCREWS MUST HAVE 10mm MINIMUM THREAD ENGAGEMENT.

		THIRD ANGLE PROJECTION	 CONNECT · CREATE · INNOVATE	
		MILLIMETERS [IN]		
SURFACE AREA		mm ²	DESCRIPTION	
VOLUME		mm ³	ALL DIMENSIONS WITHOUT TOLERANCES ARE FOR REFERENCE ONLY.	
PROPRIETARY ITEM		EXCEPT FOR USES EXPRESSLY GRANTED IN WRITING, INFORMATION DISCLOSED HEREON IS CONFIDENTIAL AND ALL RIGHTS, PATENT AND OTHERWISE, ARE RESERVED BY SOUTHCO, INC.		
PER ASME Y14.5M-1994		SIZE A2	SYSTEM NX	DWG NO. J-AV-D32-10K101
		DRAWN BY GEA	DATE 20AUG2012	SCALE 1:1 SHEET 3 OF 3

8

7

6

5

4

3

2

1