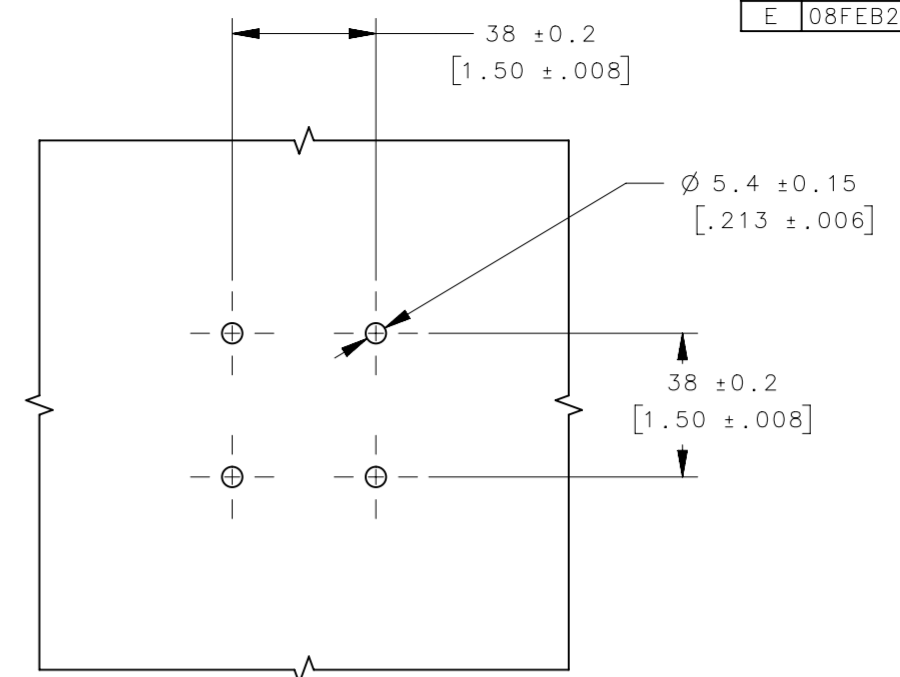
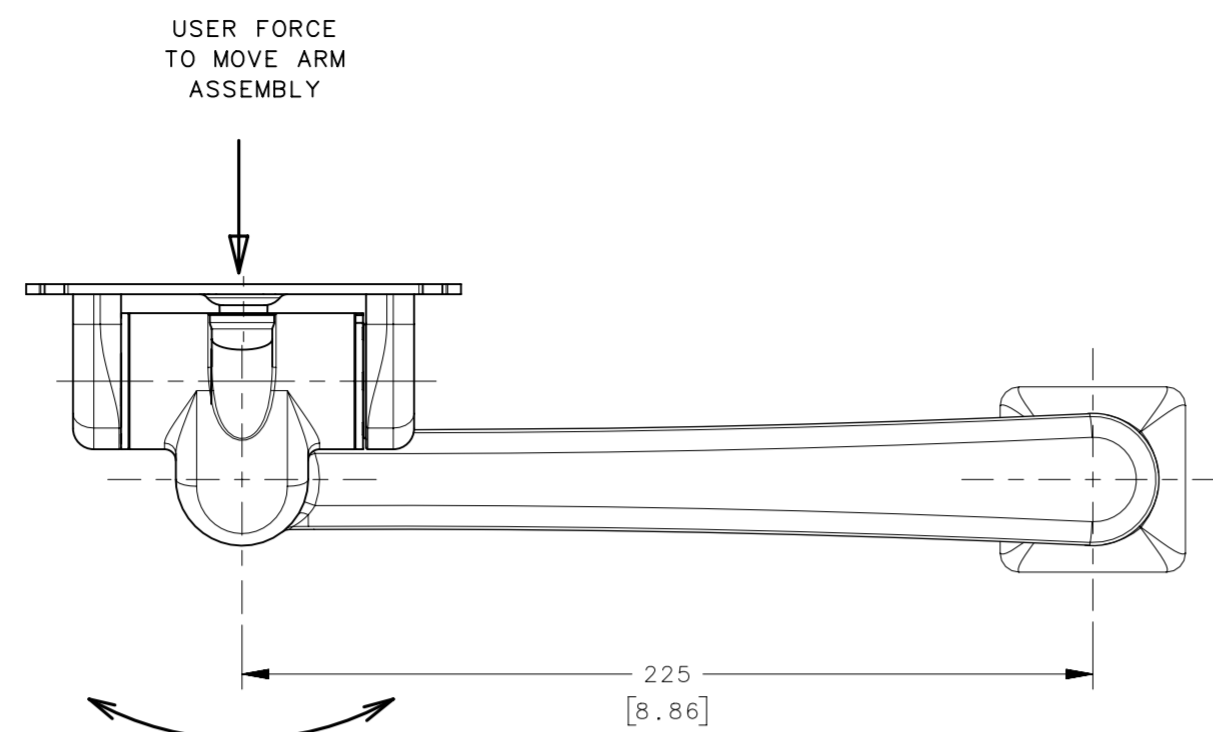
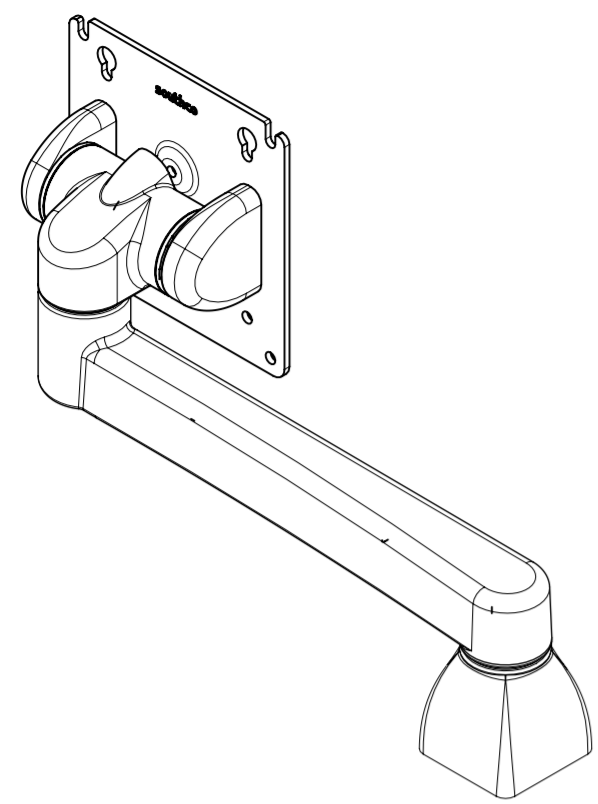
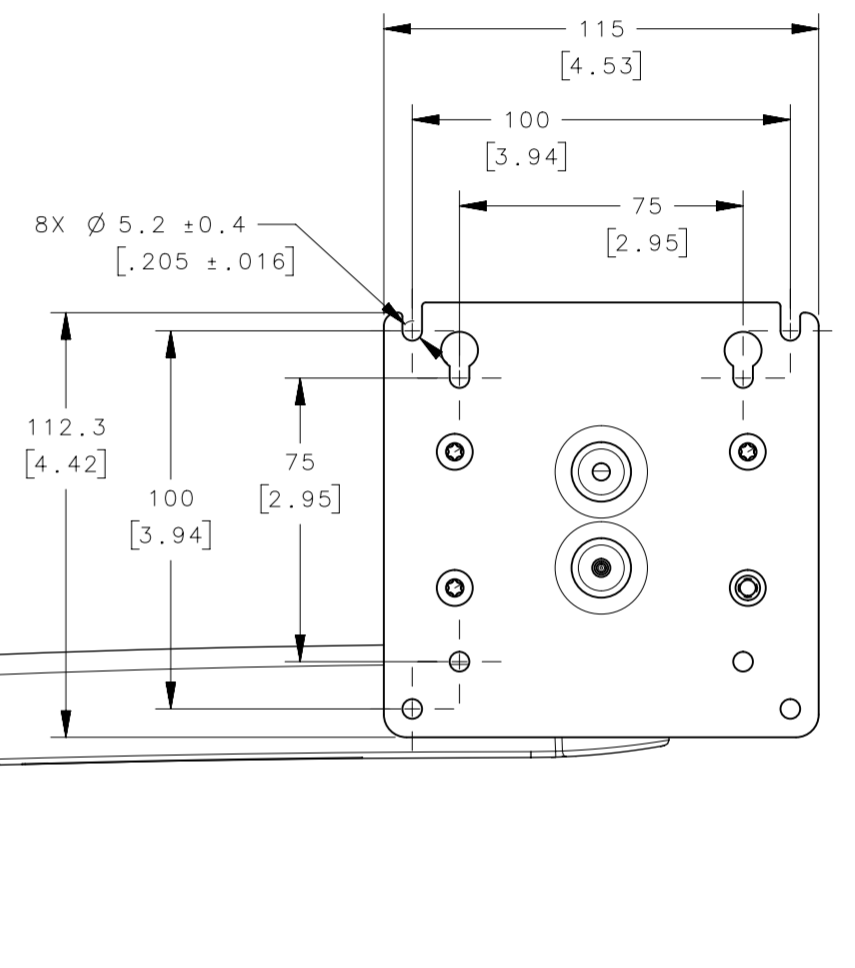
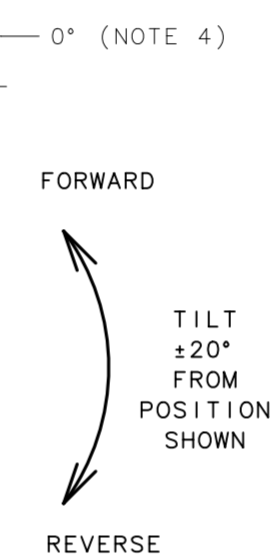
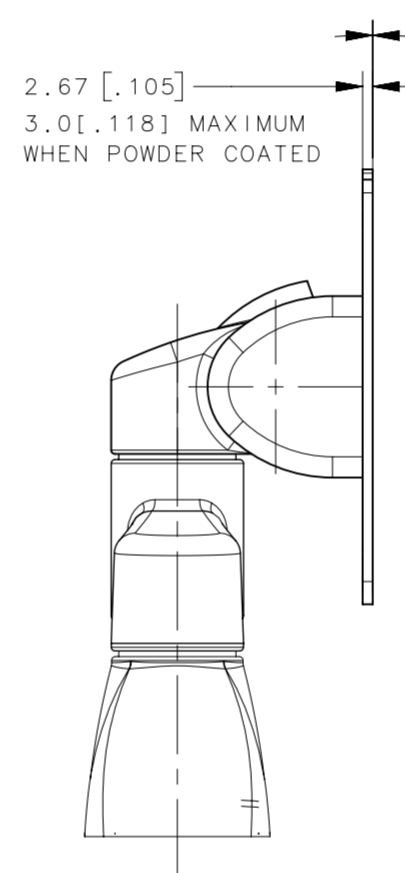
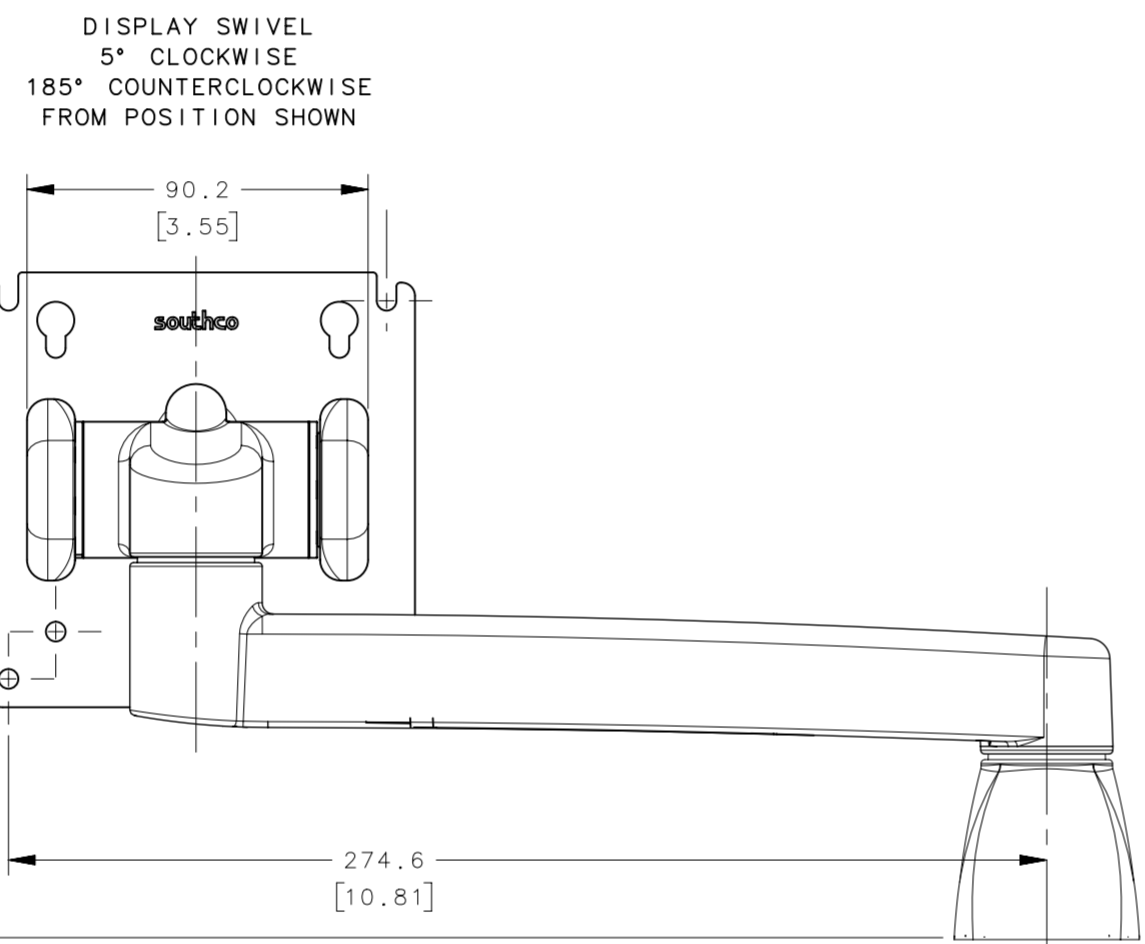
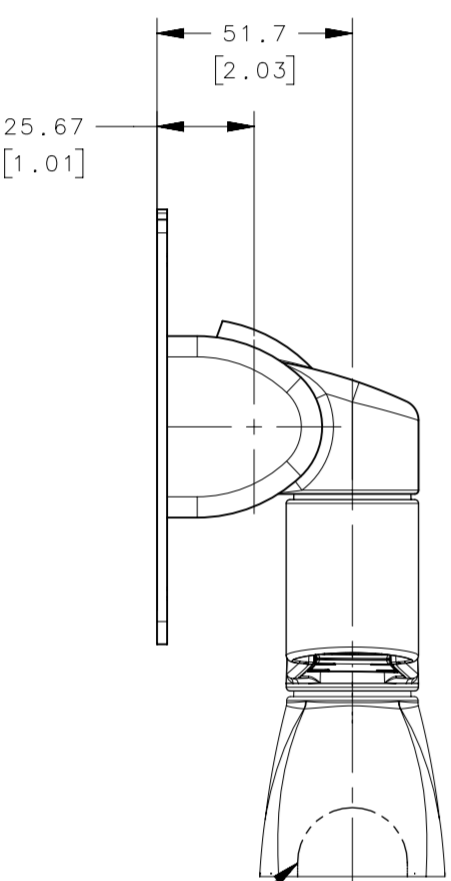


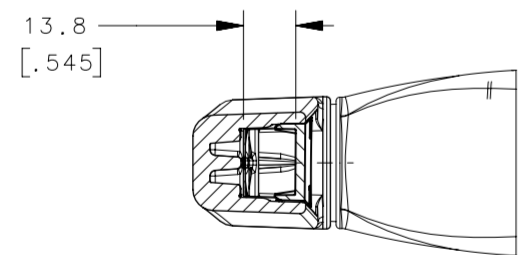
REVISION HISTORY			
REV	DATE	BY	DESCRIPTION
E	08FEB2018	CB1/VK	PRN: P2018-0356



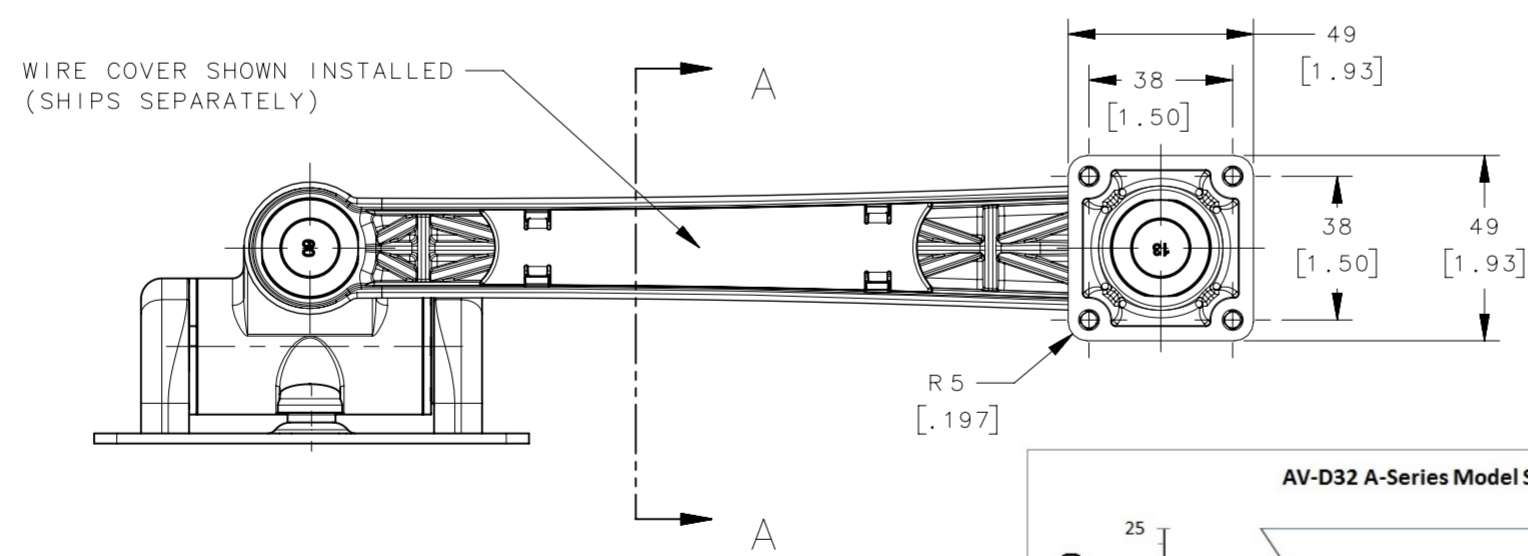
MOUNTING PANEL PREPARATION



ASSEMBLIES CAN BE ORDERED WITH AN OPTIONAL WIRE NOTCH IN HOUSING FOR EASIER WIRE ROUTING. SEE SHEET 2.



SECTION A-A

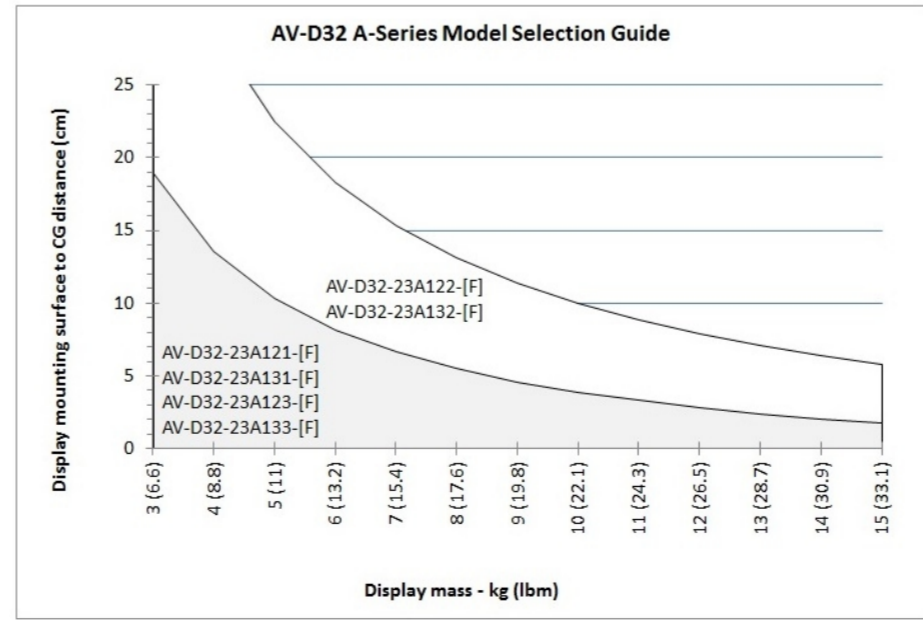


NOTES:

1. FINISH PER SOUTHCO COSMETIC SPECIFICATION S-121 CLASS C EXTERIOR POWDER COATED SURFACES.
2. TILT TORQUE MEASURED WITH VESA DISPLAY PLATE IN THE VERTICAL (0° ± 5°) POSITION WHEN TILTING IN THE REVERSE DIRECTION. THE TILT TORQUE VARIES WITH THE COUNTERBALANCE (WHEN EQUIPPED) IN THE FORWARD AND REVERSE DIRECTIONS.
3. DISPLAY MOUNTING PLATE TO HOUSING ANGULAR FREE PLAY TO BE 1.5° MAXIMUM.
4. MATERIALS AND FINISHES:  
ADAPTERS: DIE CAST ALUMINUM ANODIZED AND POWDER COATED  
ARM, TILT HOUSING AND SWIVEL HOUSING: DIE CAST ALUMINUM, POWDER COATED  
TILT SLEEVE AND THRUST WASHER: ACETAL, BLACK  
COILED PIN: STEEL, PHOSPHATE COATED  
TILT SHAFT, TORQUE ELEMENTS AND STOP WASHER: STEEL, NATURAL FINISH  
TORSION SPRING: CARBON STEEL, NICKEL PLATED  
DISPLAY SCREWS: STEEL, BLACK OXIDE  
DISPLAY STOPS: POLYETHYLENE, WHITE  
SWIVEL SHAFT: STAINLESS STEEL AND NYLON  
WIRE COVER: PC/ABS, BLACK  
LUBRICANT: HYDROCARBON BASE

PART NUMBER	PART NUMBER WITH WIRE NOTCH IN BASE	REVERSE TILT TORQUE N*m (lbf*in)	FORWARD TILT TORQUE N*m (lbf*in)	DISPLAY SWIVEL SYMMETRIC TORQUE	SYMMETRIC TORQUE TO MOVE ARM ASSEMBLY	COLOR
AV-D32-23A121-50	AV-D32-23A131-50	7.9 (70)	1.13 (10)	4.29 N*m (38 lbf*in)	9.8 N*m (87 lbf*in)	BLACK
AV-D32-23A121-76	AV-D32-23A131-76	7.9 (70)	1.13 (10)	NOMINAL / 2.17 N*m (24 lbf*in)	NOMINAL / 5.08 N*m (45 lbf*in)	OFFICE WHITE
AV-D32-23A122-50	AV-D32-23A132-50	15.4 (136)	2.26 (20)	MINIMUM	MINIMUM	BLACK
AV-D32-23A122-76	AV-D32-23A132-76	15.4 (136)	2.26 (20)			OFFICE WHITE
AV-D32-23A123-50	AV-D32-23A133-50	8.6 (76)	6.0 (53)			BLACK
AV-D32-23A123-76	AV-D32-23A133-76	8.6 (76)	6.0 (53)			OFFICE WHITE

ASSEMBLIES CAN BE ORDERED WITH AN OPTIONAL WIRE NOTCH IN HOUSING FOR EASIER WIRE ROUTING. SEE SHEET 2.

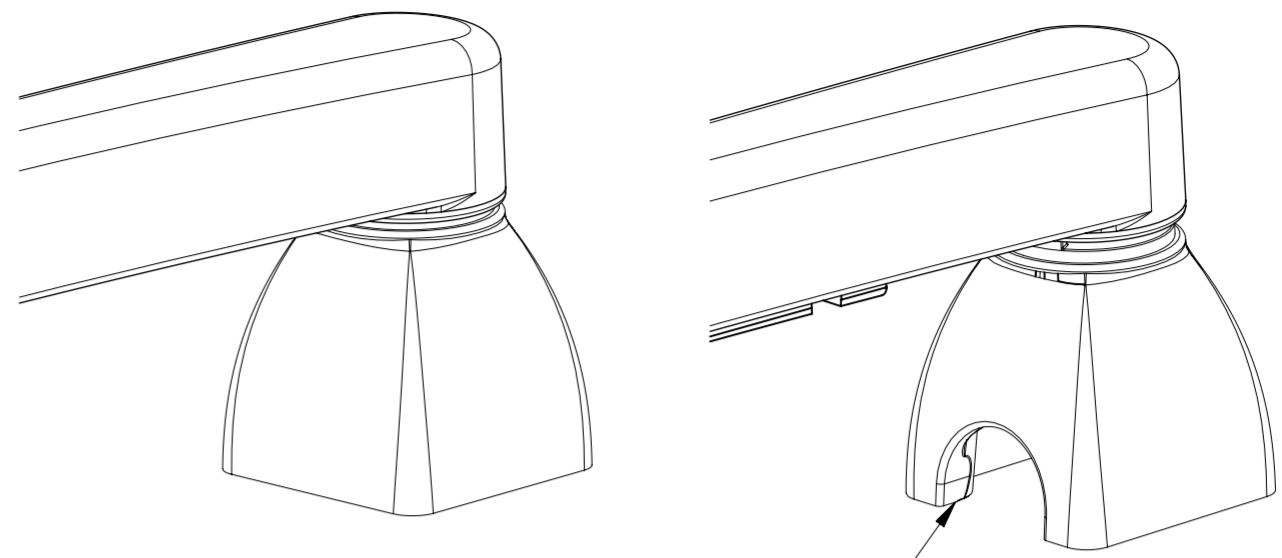


THIRD ANGLE PROJECTION		<b>southco</b> CONNECT · CREATE · INNOVATE	
MILLIMETERS [IN]			
TOLERANCES UNLESS OTHERWISE NOTED		DESCRIPTION	
SURFACE AREA		DISPLAY MOUNT	
VOLUME		TILT & SWIVEL, SINGLE ARM	
PROPRIETARY ITEM EXCEPT FOR USES EXPRESSLY GRANTED IN WRITING. INFORMATION DISCLOSED HEREON IS CONFIDENTIAL AND ALL RIGHTS, PATENT AND OTHERWISE, ARE RESERVED BY SOUTHCO, INC.		SIZE SYSTEM A2 NX	DWG NO. J-AV-D32-23A121
PER ASME Y14.5M-1994		DRAWN BY GEA	DATE 22AUG2014
		SCALE 1:1	SHEET 1 OF 4

REVISION HISTORY			
REV	DATE	BY	DESCRIPTION
E	08FEB2018	CB1/VK	PRN: P2018-0356

DISPLAY SWIVEL  
±95°  
FROM POSITION  
SHOWN

ARM PIVOT  
±95°  
FROM  
POSITION  
SHOWN

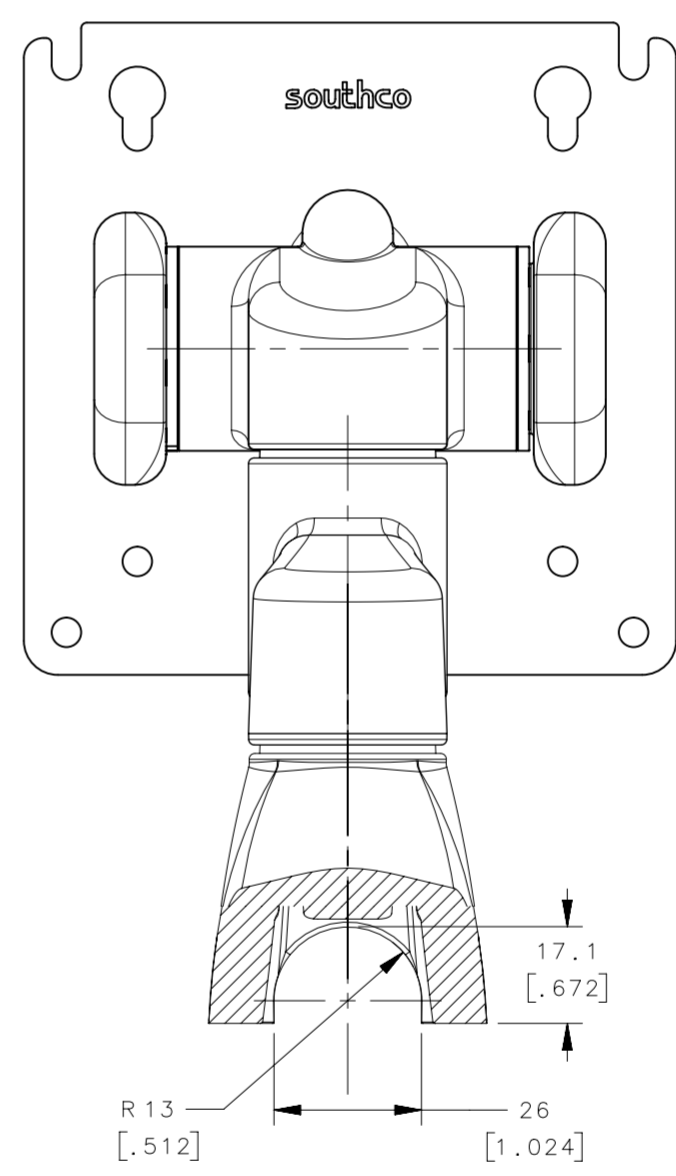


ASSEMBLIES CAN BE ORDERED WITH  
AN OPTIONAL WIRE NOTCH IN SWIVEL  
HOUSING FOR EASIER WIRE ROUTING.

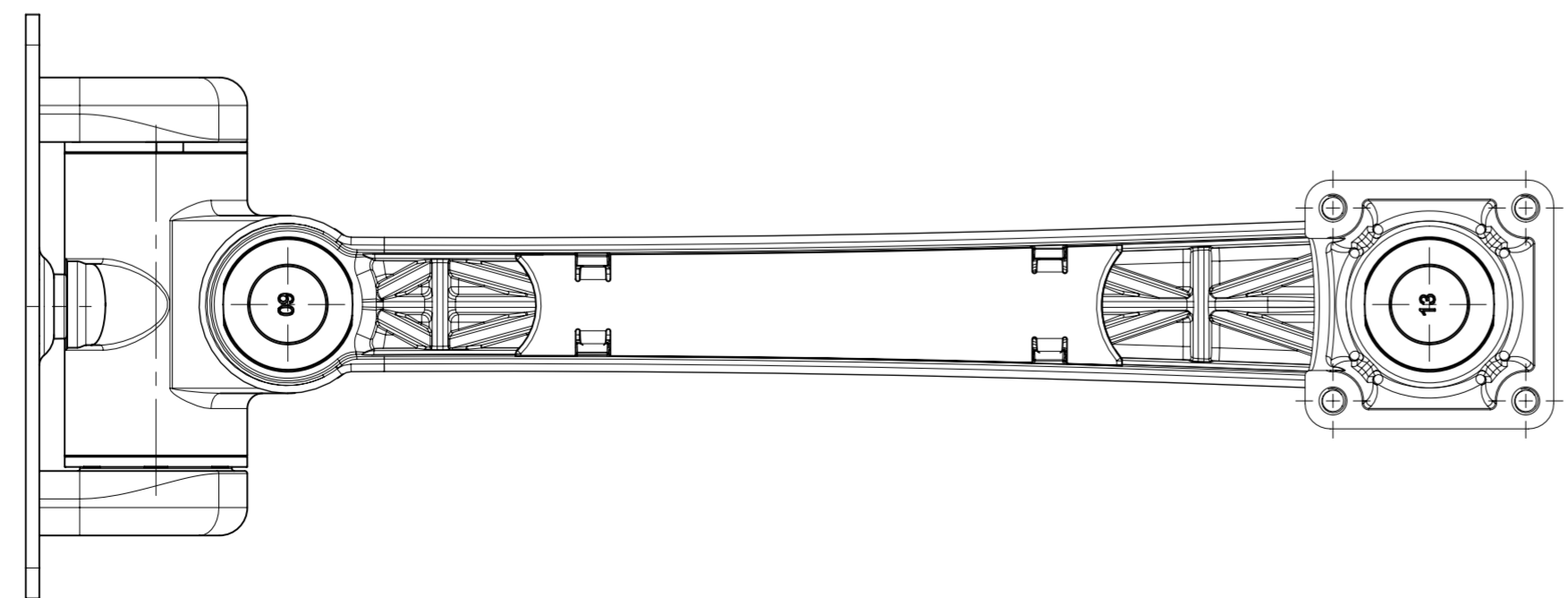
TILT  
±20°  
FROM POSITION  
SHOWN

FORWARD

REVERSE



SECTION B-B  
(OPTIONAL WIRE NOTCH DETAIL)



THIRD ANGLE PROJECTION				<b>southco</b> CONNECT · CREATE · INNOVATE	
MILLIMETERS [IN]					
SURFACE AREA		TOLERANCES UNLESS OTHERWISE NOTED		DESCRIPTION	
VOLUME		ALL DIMENSIONS WITHOUT TOLERANCES ARE FOR REFERENCE ONLY.		TILT & SWIVEL, SINGLE ARM	
PROPRIETARY ITEM		SIZE	SYSTEM	DWG NO.	
EXCEPT FOR USES EXPRESSLY GRANTED IN WRITING, INFORMATION DISCLOSED HEREON IS CONFIDENTIAL AND ALL RIGHTS, PATENT AND OTHERWISE, ARE RESERVED BY SOUTHCO, INC.		A2	NX	J-AV-D32-23A121	
PER ASME Y14.5M-1994		DRAWN BY	DATE	SCALE	SHEET
		GEA	22AUG2014	1:1	2 OF 4

8

7

6

5

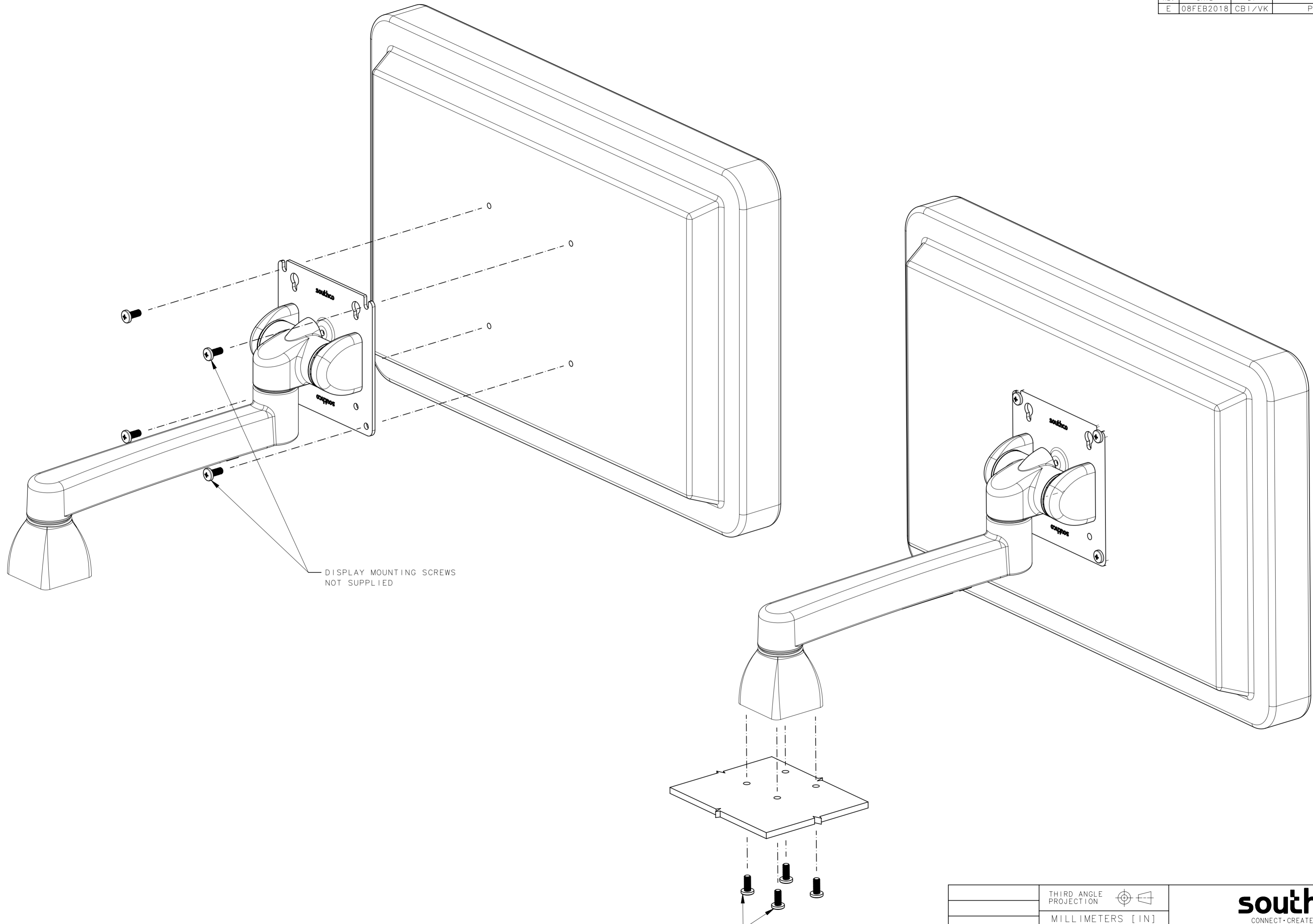
4

3

2

1

REVISION HISTORY			
REV	DATE	BY	DESCRIPTION
E	08FEB2018	CB1/VK	PRN: P2018-0356



DISPLAY MOUNTING SCREWS  
NOT SUPPLIED

M5 X 0.8 SCREWS (NOT SUPPLIED)

NOTE: ARM MOUNTING SCREWS MUST  
HAVE 10mm MINIMUM THREAD  
ENGAGEMENT.

THIRD ANGLE PROJECTION		<b>southco</b> CONNECT · CREATE · INNOVATE	
MILLIMETERS [IN]			
SURFACE AREA		DESCRIPTION	
VOLUME		TILT & SWIVEL, SINGLE ARM	
PROPRIETARY ITEM <small>EXCEPT FOR USES EXPRESSLY GRANTED IN WRITING, INFORMATION DISCLOSED HEREON IS CONFIDENTIAL AND ALL RIGHTS, PATENT AND OTHERWISE, ARE RESERVED BY SOUTHCO, INC.</small>		SIZE A2	SYSTEM NX
PER ASME Y14.5M-1994		DWG NO. J-AV-D32-23A121	DATE 22AUG2014
		DRAWN BY GEA	SCALE 1:1
		SHEET 3 OF 4	

8

7

6

5

4

3

2

1

8

7

6

5

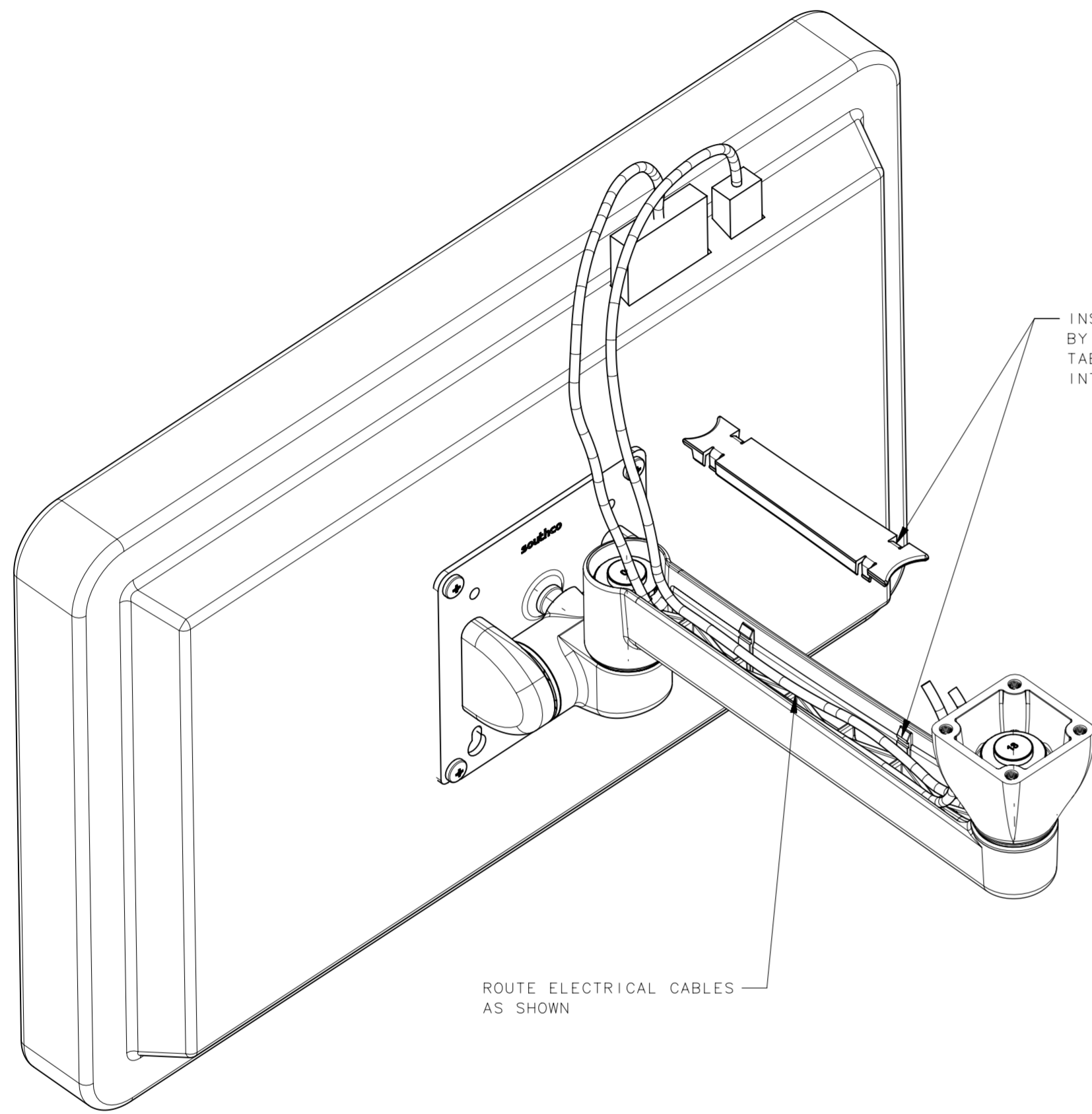
4

3

2

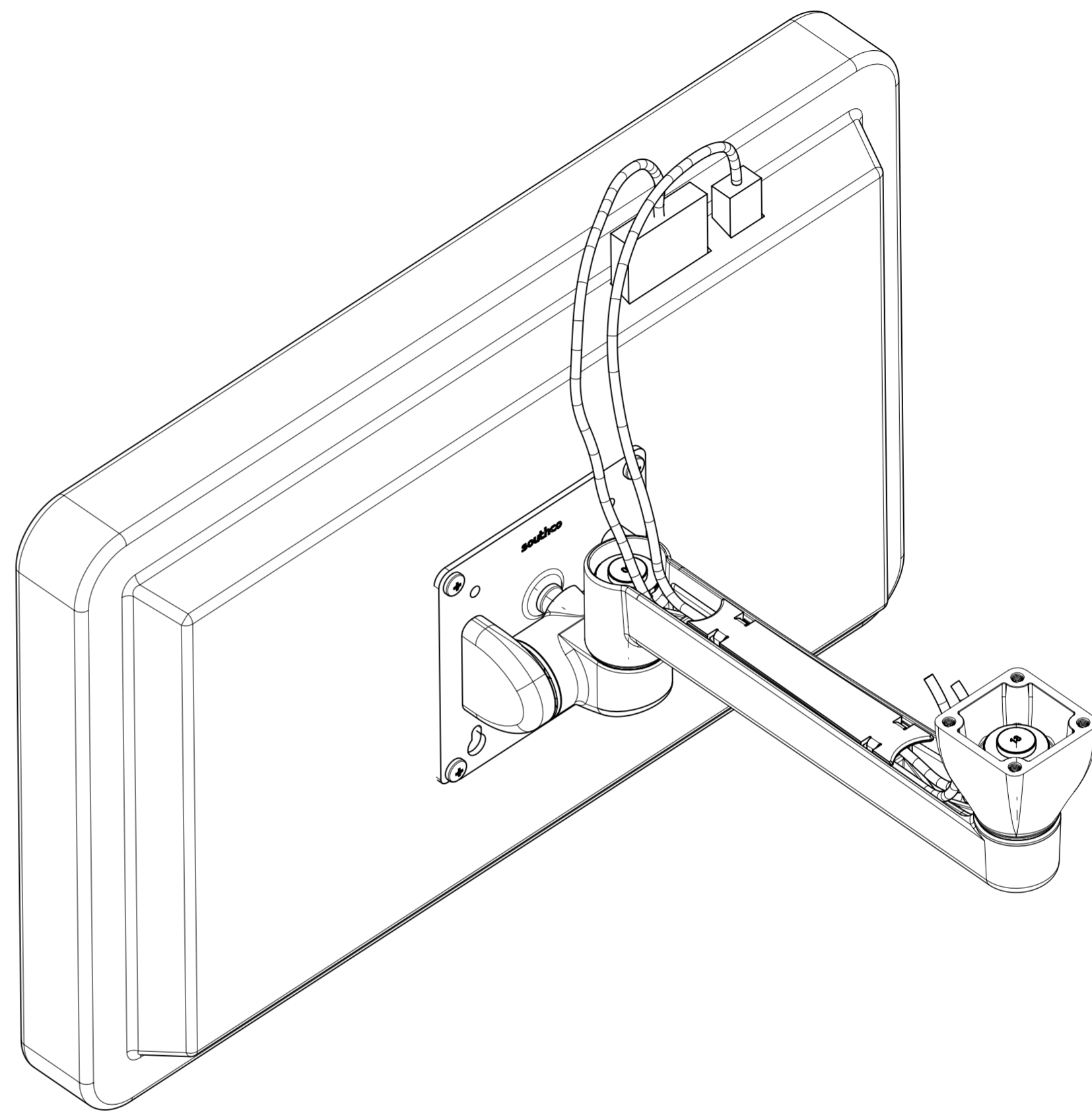
1

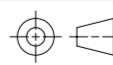
REVISION HISTORY			
REV	DATE	BY	DESCRIPTION
E	08FEB2018	CB1/VK	PRN: P2018-0356



INSTALL WIRE COVER  
BY ALIGNING SNAP  
TABS. PRESS COVER  
INTO ARM TO SECURE.

ROUTE ELECTRICAL CABLES  
AS SHOWN



	THIRD ANGLE PROJECTION			<b>southco</b> <sup>®</sup> CONNECT · CREATE · INNOVATE	
	MILLIMETERS [IN]				
SURFACE AREA	TOLERANCES UNLESS OTHERWISE NOTED		DESCRIPTION		
VOLUME	ALL DIMENSIONS WITHOUT TOLERANCES ARE FOR REFERENCE ONLY.		TILT & SWIVEL, SINGLE ARM		
PROPRIETARY ITEM	EXCEPT FOR USES EXPRESSLY GRANTED IN WRITING, INFORMATION DISCLOSED HEREON IS CONFIDENTIAL AND ALL RIGHTS, PATENT AND OTHERWISE, ARE RESERVED BY SOUTHCO, INC.		SIZE	SYSTEM	DWG NO.
	PER ASME Y14.5M-1994		A2	NX	J-AV-D32-23A121
			DRAWN BY	DATE	SCALE
			GEA	22AUG2014	1:1
					SHEET 4 OF 4

8

7

6

5

4

3

2

1