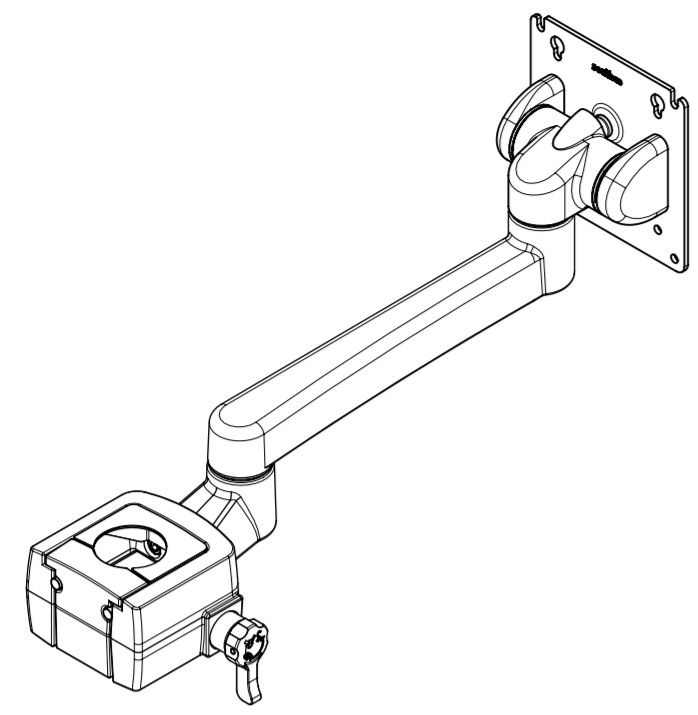
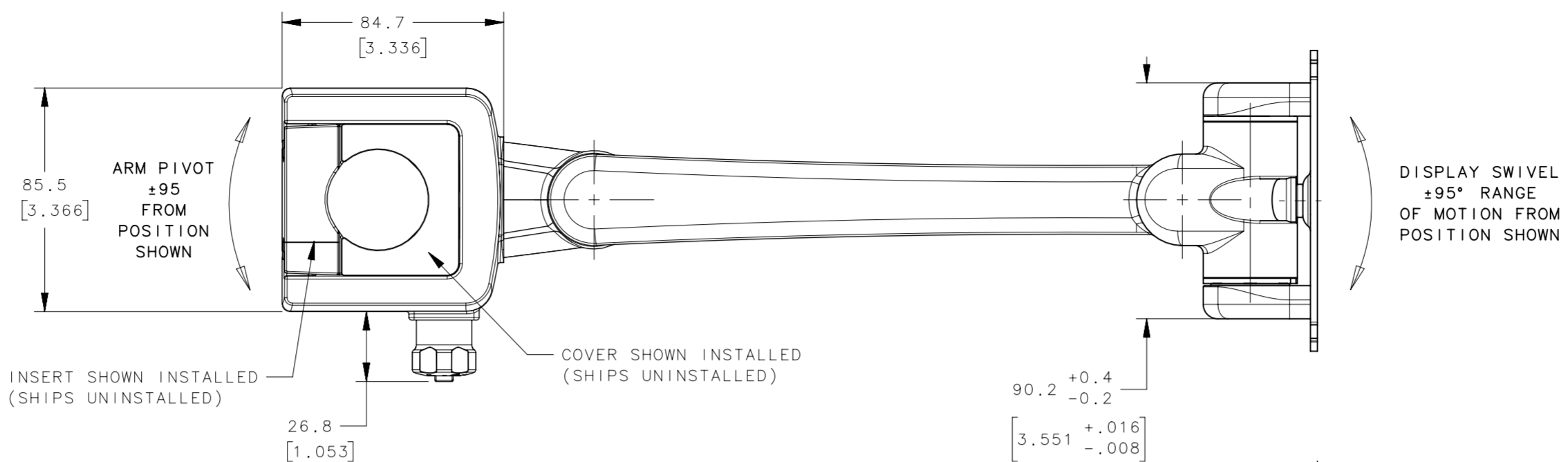


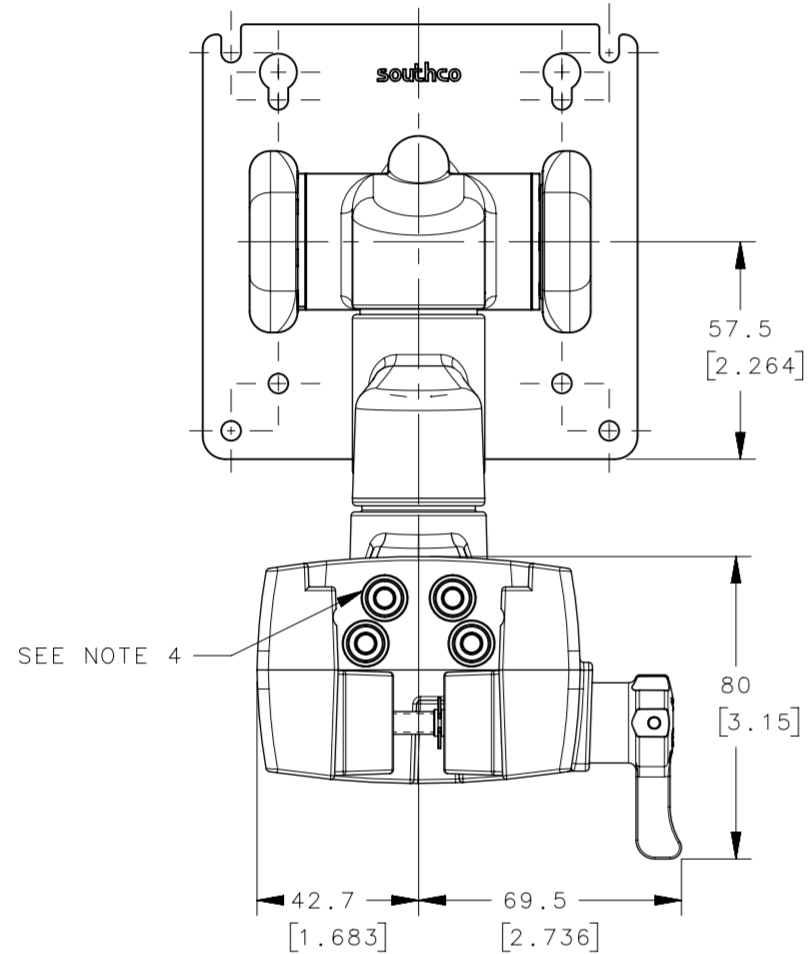
REVISION HISTORY			
REV	DATE	BY	DESCRIPTION
B	27MAY2020	GEA/DMS	PRN: P2020-0959



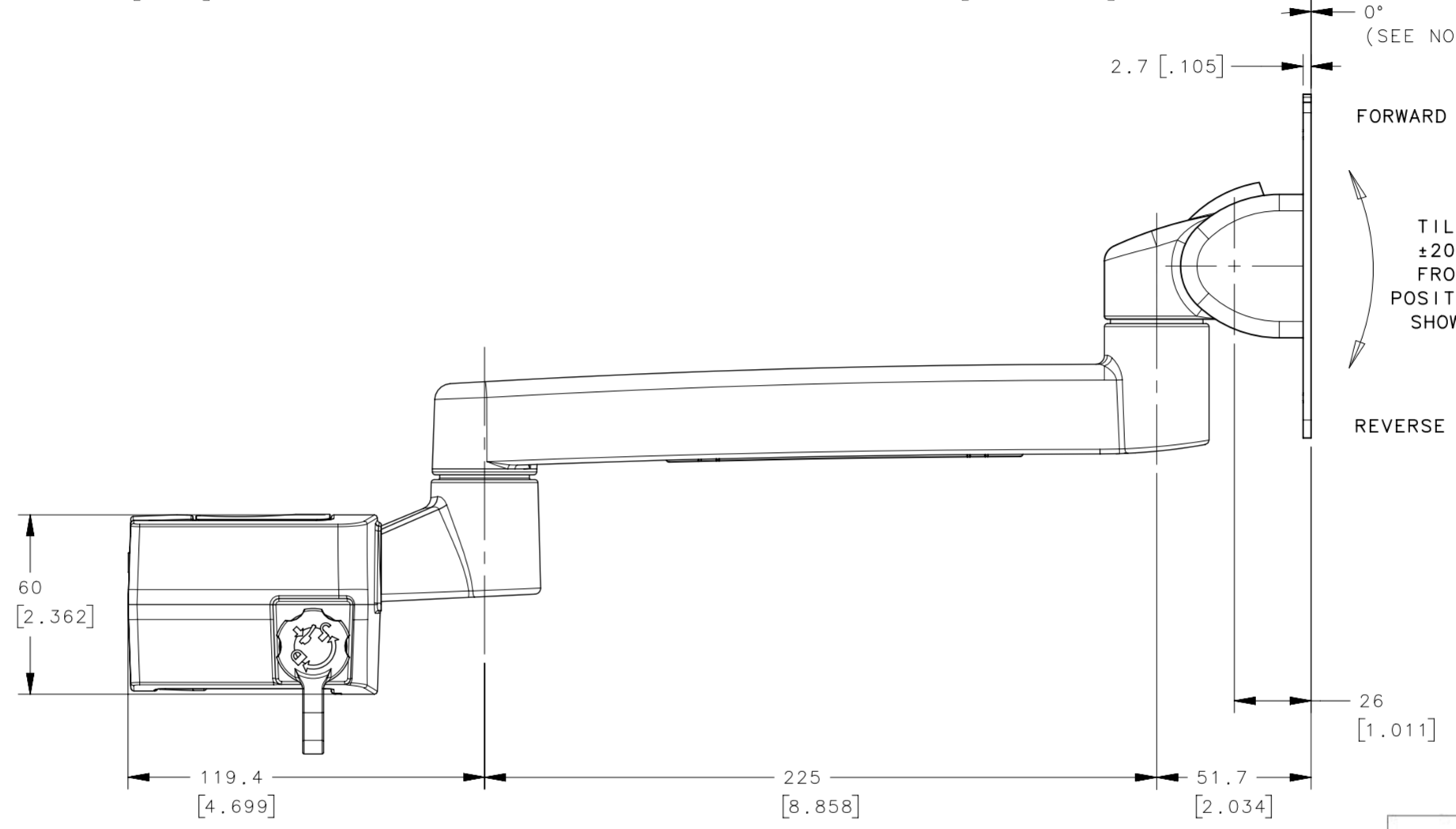
SCALE 1:4



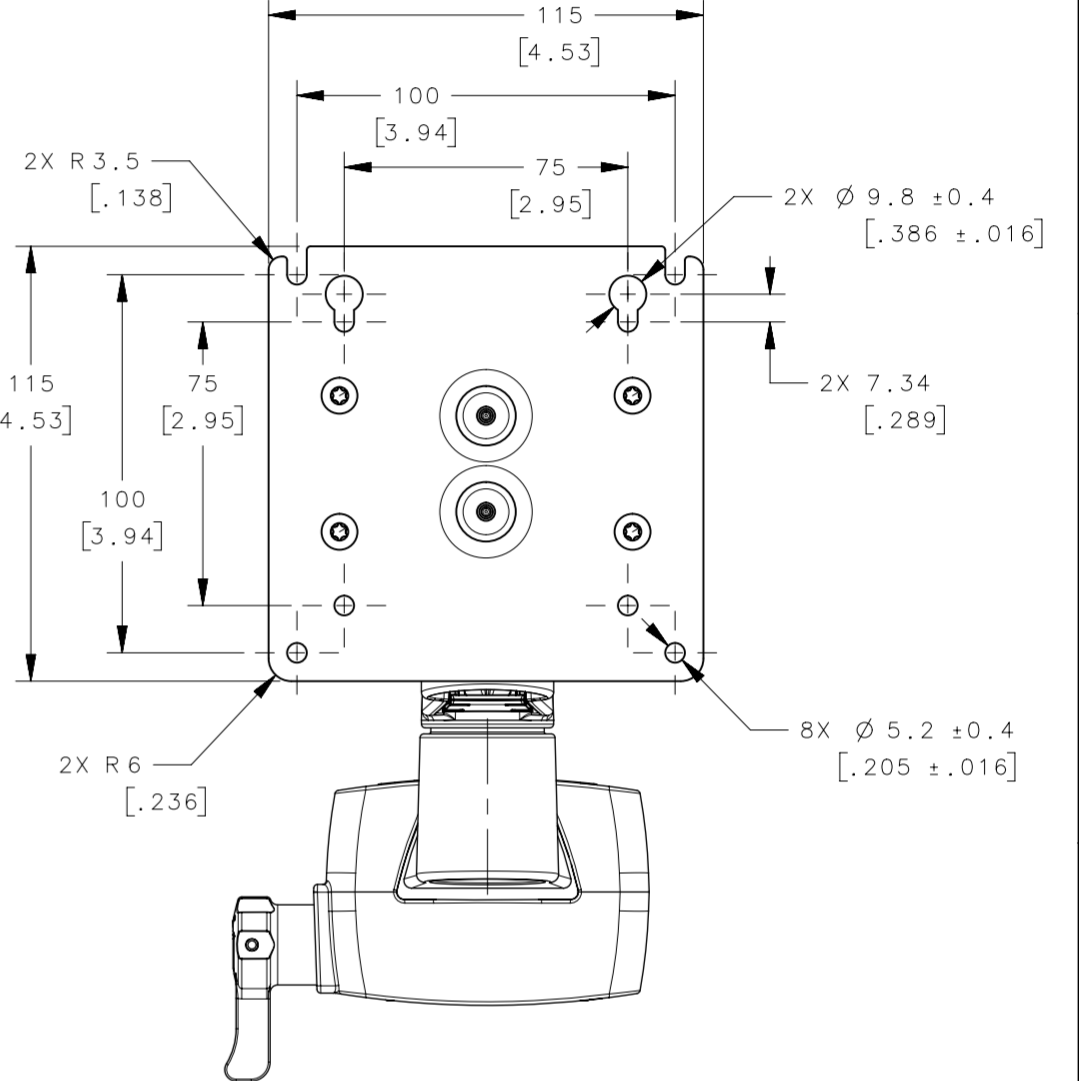
DISPLAY SWIVEL
±95° RANGE
OF MOTION FROM
POSITION SHOWN



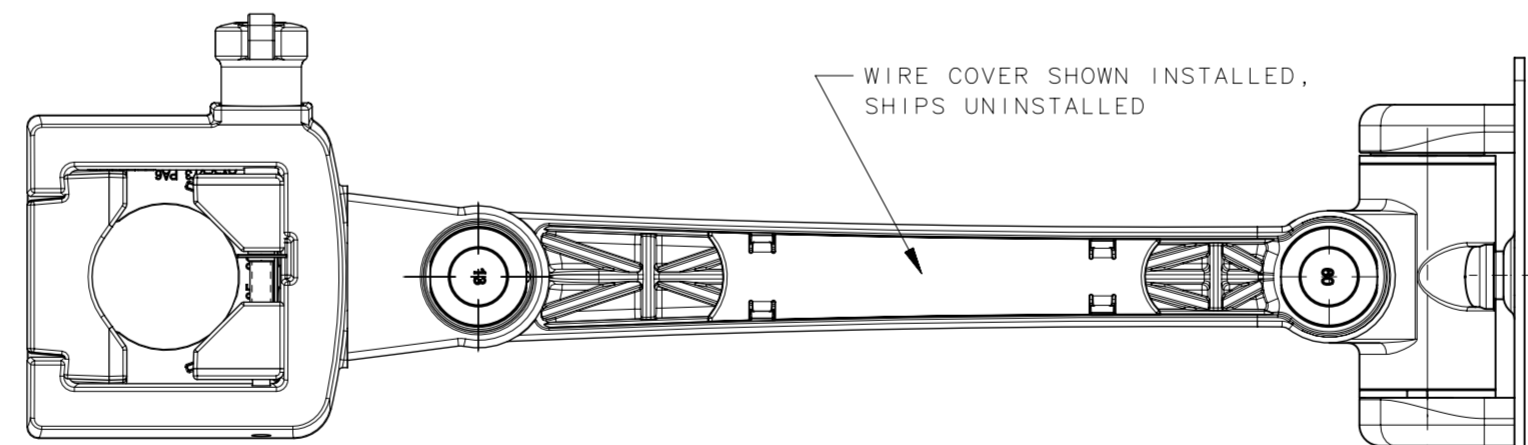
INSERT AND COVER
OMITTED FOR CLARITY



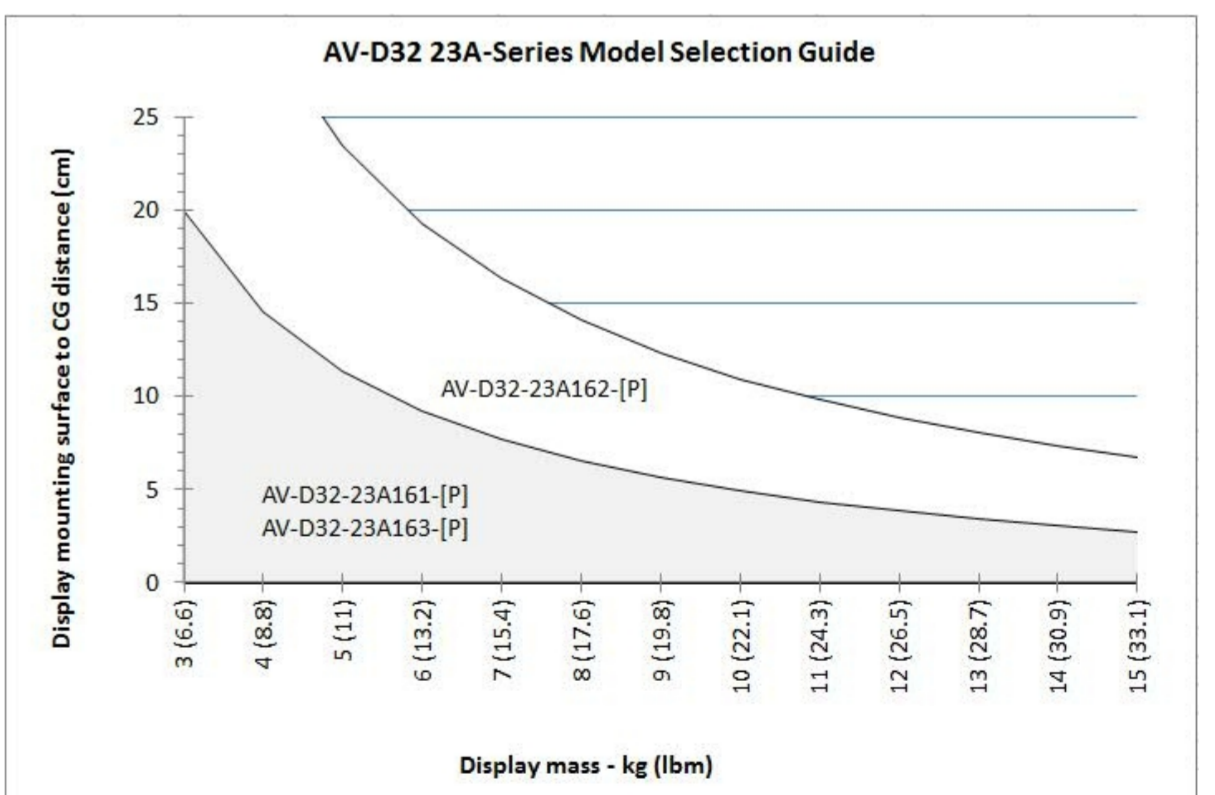
FORWARD
TILT
±20°
FROM
POSITION
SHOWN
REVERSE



- NOTES:
1. FINISH PER SOUTHCO COSMETIC SPECIFICATION S-121 CLASS C EXTERIOR POWDER COATED SURFACES.
 2. TILT TORQUE MEASURED WITH VESA DISPLAY PLATE IN THE VERTICAL (0° ±5°) POSITION WHEN TILTING IN THE REVERSE DIRECTION. THE TILT TORQUE VARIES WITH THE COUNTERBALANCE (WHEN EQUIPPED) IN THE FORWARD AND REVERSE DIRECTIONS.
 3. DISPLAY MOUNTING PLATE TO HOUSING ANGULAR FREE PLAY TO BE 1.5° MAXIMUM.
 4. SCREWS AFFIXING HOUSING MOUNT TO MOUNTING PLATE ARE NOT TO BE REMOVED. IF REMOVED OR LOOSENED, REPLACE USING NEW M6-1.0x0.25, CLASS 12.9, HIGH TENSILE CAP HEAD SCREWS AND PLAIN WASHERS AND TIGHTEN TO 14-16 Nm.
 5. MATERIALS AND FINISHES:
ADAPTERS: DIE CAST ALUMINUM, ANODIZED AND POWDER COATED
ARM, TILT HOUSING, SWIVEL HOUSING AND ARM MOUNT PLATE: DIE CAST ALUMINUM, POWDER COATED
TILT SLEEVE AND THRUST WASHER: ACETAL, BLACK
COILED PIN: STEEL, PHOSPHATE COATED
TILT SHAFT, TORQUE ELEMENTS AND STOP WASHER: STEEL, NATURAL FINISH
TORSION SPRING: CARBON STEEL, NICKEL PLATED
DISPLAY SCREWS: STEEL, BLACK OXIDE
DISPLAY STOPS: POLYETHYLENE, WHITE
SWIVEL SHAFT: STAINLESS STEEL AND NYLON
WIRE COVER: PC/ABS, BLACK
M6 SCREWS: ALLOY STEEL, BLACK OXIDE
M6 FLAT WASHERS: STEEL, ZINC PLATED
LABEL: VINYL WITH POLYESTER ADHESIVE
LUBRICANT: HYDROCARBON BASE
POLE MOUNT: DIE CAST ALUMINUM, ANODIZED AND POWDER COATED
POLE MOUNT INSERT: DIE CAST ALUMINUM, ANODIZED AND POWDER COATED,
ROD: EPDM, BLACK
POLE MOUNT COVER: NYLON, BLACK OR OFFICE WHITE



WIRE COVER SHOWN INSTALLED,
SHIPS UNINSTALLED



PART NUMBER	REVERSE TILT TORQUE N*m (lbf*in)	FORWARD TILT TORQUE N*m (lbf*in)	DISPLAY SWIVEL SYMMETRIC TORQUE	SYMMETRIC TORQUE TO MOVE ARM ASSEMBLY	COLOR
AV-D32-23A161-50	7.9 (70)	1.13 (10)	4.29 N*m (38 lbf*in)	9.8 N*m (87 lbf*in)	BLACK
AV-D32-23A161-76					OFFICE WHITE
AV-D32-23A162-50	15.4 (136)	2.26 (20)	NOMINAL / 2.17 N*m (24 lbf*in)	NOMINAL / 5.08 N*m (45 lbf*in)	BLACK
AV-D32-23A162-76					OFFICE WHITE
AV-D32-23A163-50	8.6 (76)	6.0 (53)	MINIMUM	MINIMUM	BLACK
AV-D32-23A163-76					OFFICE WHITE

THIRD ANGLE PROJECTION

MILLIMETERS [IN]

TOLERANCES UNLESS OTHERWISE NOTED

ALL DIMENSIONS WITHOUT TOLERANCES ARE FOR REFERENCE ONLY.

PROPRIETARY ITEM EXCEPT FOR USES EXPRESSLY GRANTED IN WRITING. INFORMATION DISCLOSED HEREON IS CONFIDENTIAL AND ALL RIGHTS, PATENT AND OTHERWISE, ARE RESERVED BY SOUTHCO, INC.

PER ASME Y14.5M-1994

DRAWN BY: DMS/GEA DATE: 26APR2018 SCALE: 1:2 SHEET: 1 OF 3

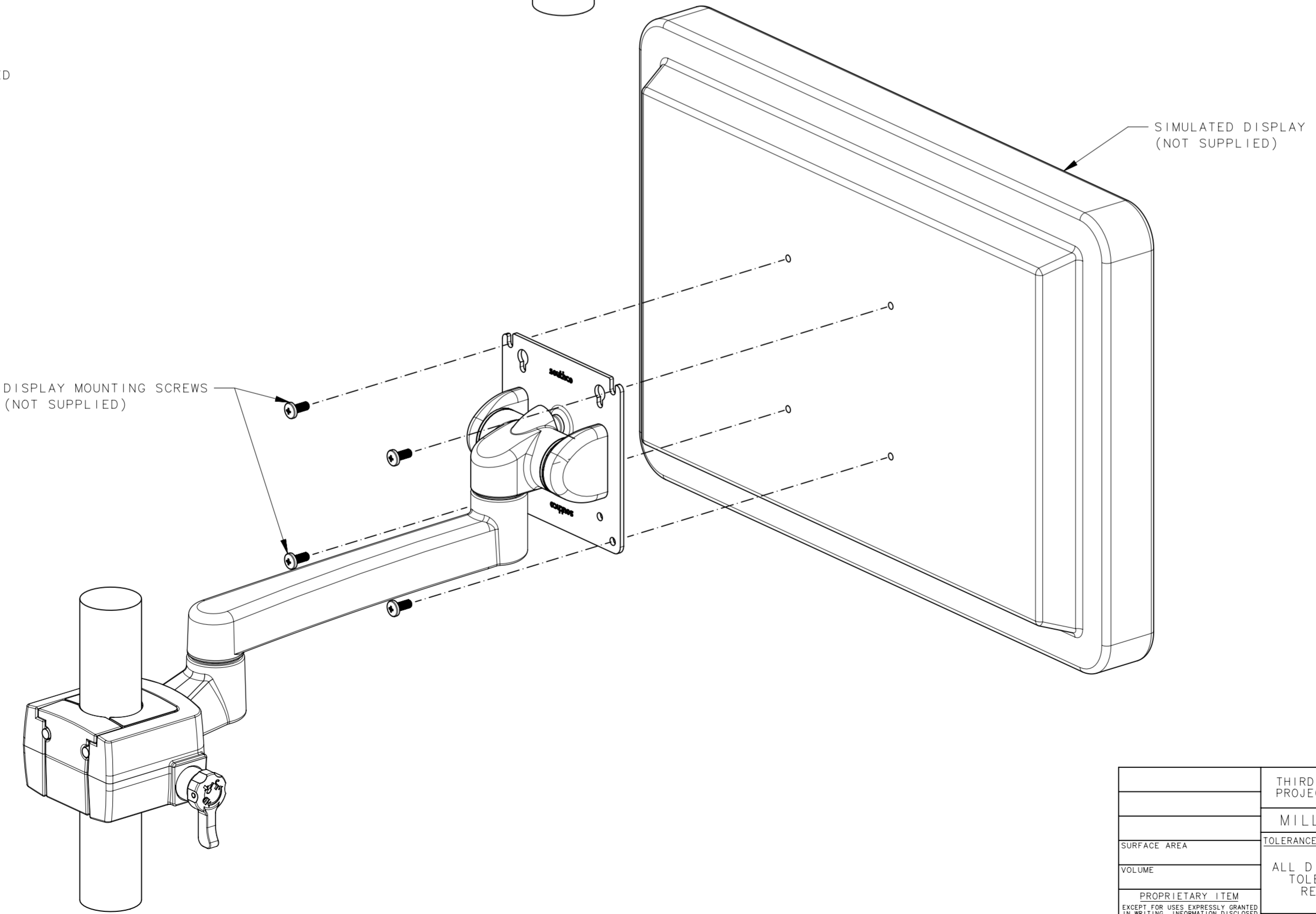
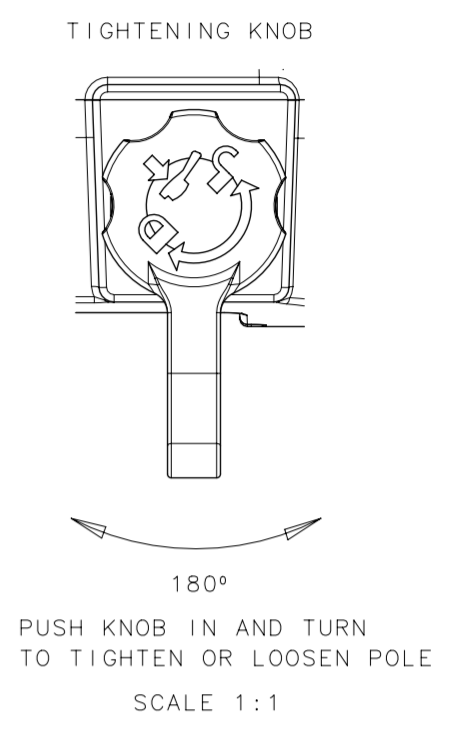
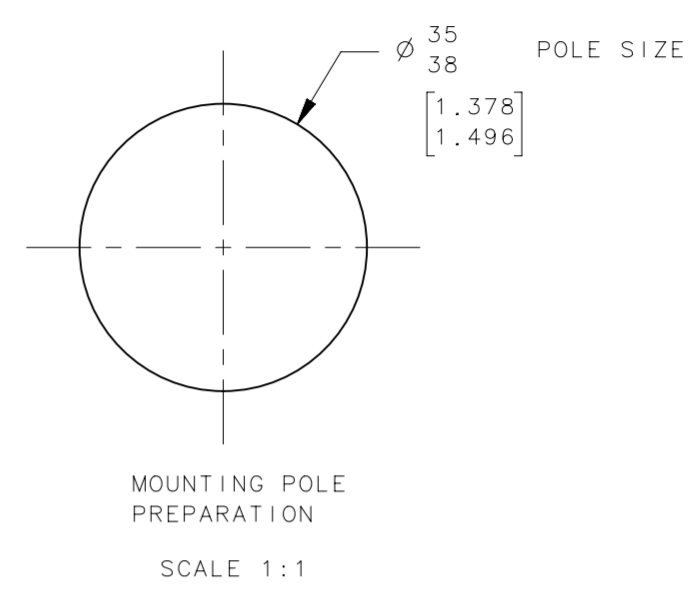
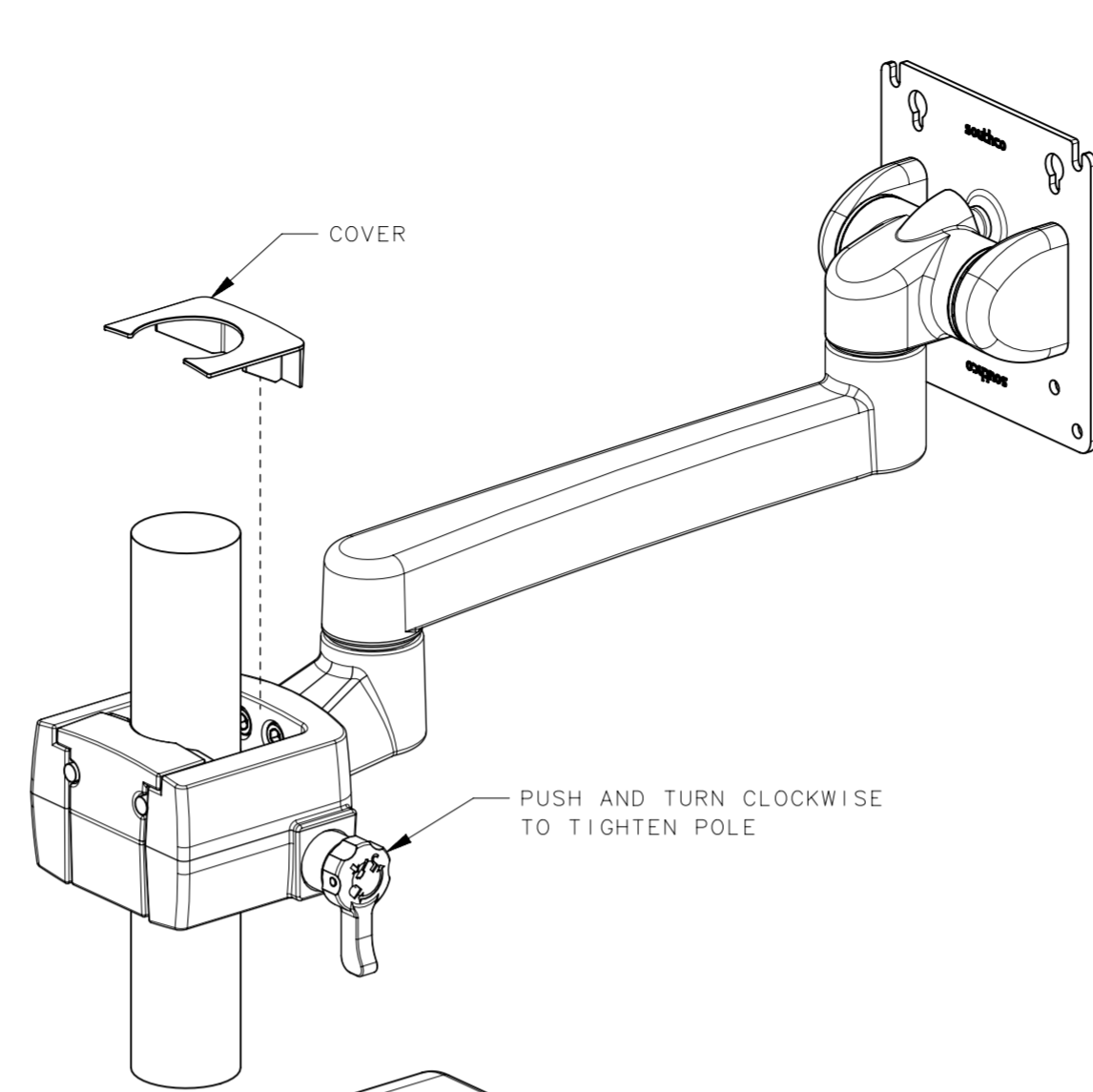
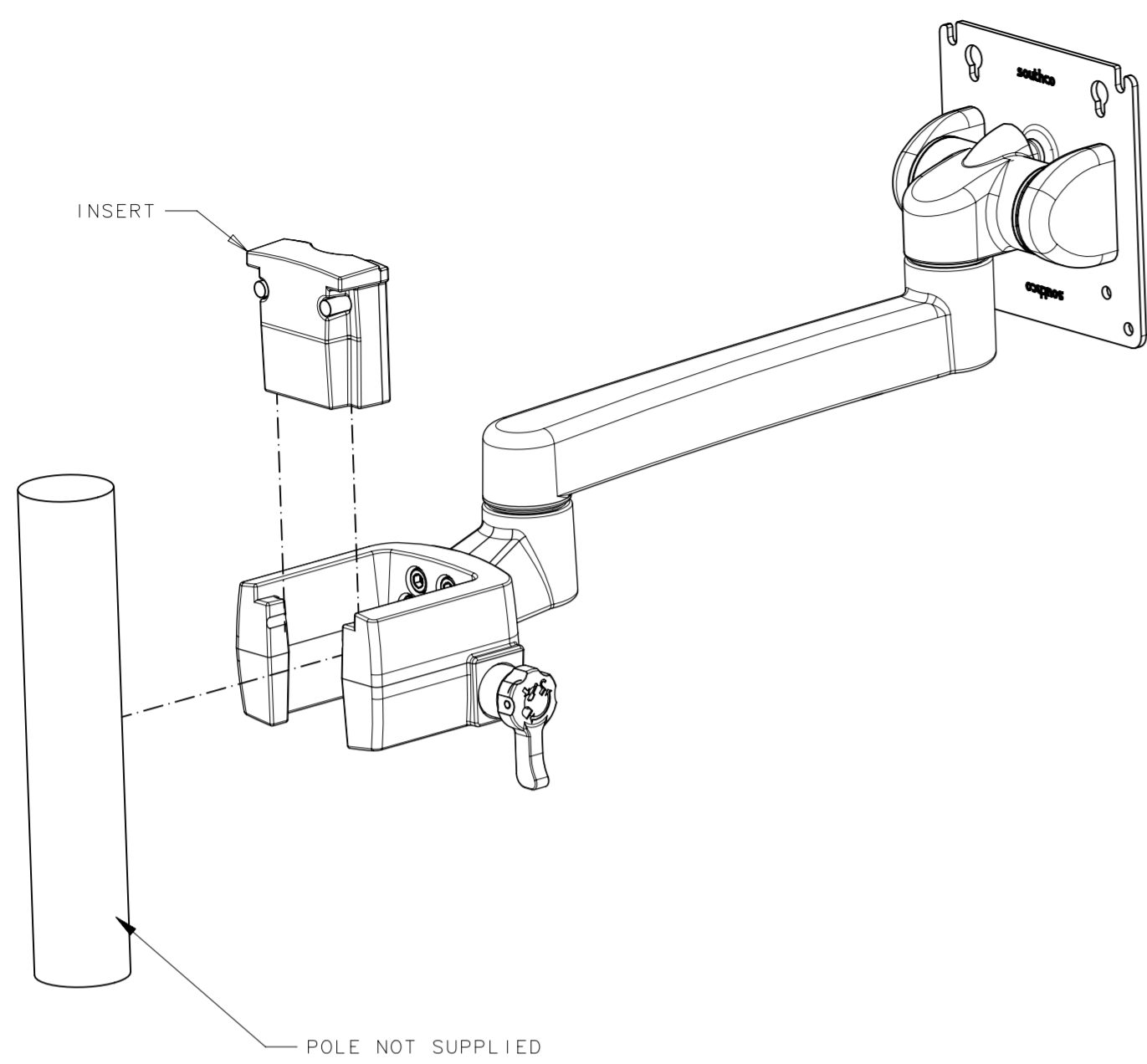
southco
CONNECT · CREATE · INNOVATE

TILT & SWIVEL DISPLAY MOUNT SINGLE ARM POLE MOUNT


DESCRIPTION: TILT & SWIVEL DISPLAY MOUNT SINGLE ARM POLE MOUNT

SIZE: A2 SYSTEM: NX DWG NO.: J-AV-D32-23A161

REVISION HISTORY			
REV	DATE	BY	DESCRIPTION
B	27MAY2020	GEA/DMS	PRN: P2020-0959



- INSTALLATION INSTRUCTIONS:
1. INSERT POLE INTO MOUNT.
 2. DROP INSERT BEHIND POLE TO LOCK POLE IN MOUNT.
 3. PLACE TOP COVER INTO POSITION ON TOP OF MOUNT.
 4. PUSH AND TURN KNOB TO LOCK/UNLOCK.
 5. ALIGN AND INSTALL SCREWS WITH DISPLAY.

THIRD ANGLE PROJECTION			
MILLIMETERS [IN]			
SURFACE AREA		DESCRIPTION	
VOLUME		TILT & SWIVEL DISPLAY MOUNT SINGLE ARM POLE MOUNT	
PROPRIETARY ITEM		SIZE	DWG. NO.
EXCEPT FOR USES EXPRESSLY GRANTED IN WRITING, INFORMATION DISCLOSED HEREON IS CONFIDENTIAL AND ALL RIGHTS, PATENT AND OTHERWISE, ARE RESERVED BY SOUTHCO, INC.		A2 NX	J-AV-D32-23A161
PER ASME Y14.5M-1994		DRAWN BY	SCALE
		DMS/GEA	0.4:1
		DATE	SHEET
		26APR2018	2 OF 3

8

7

6

5

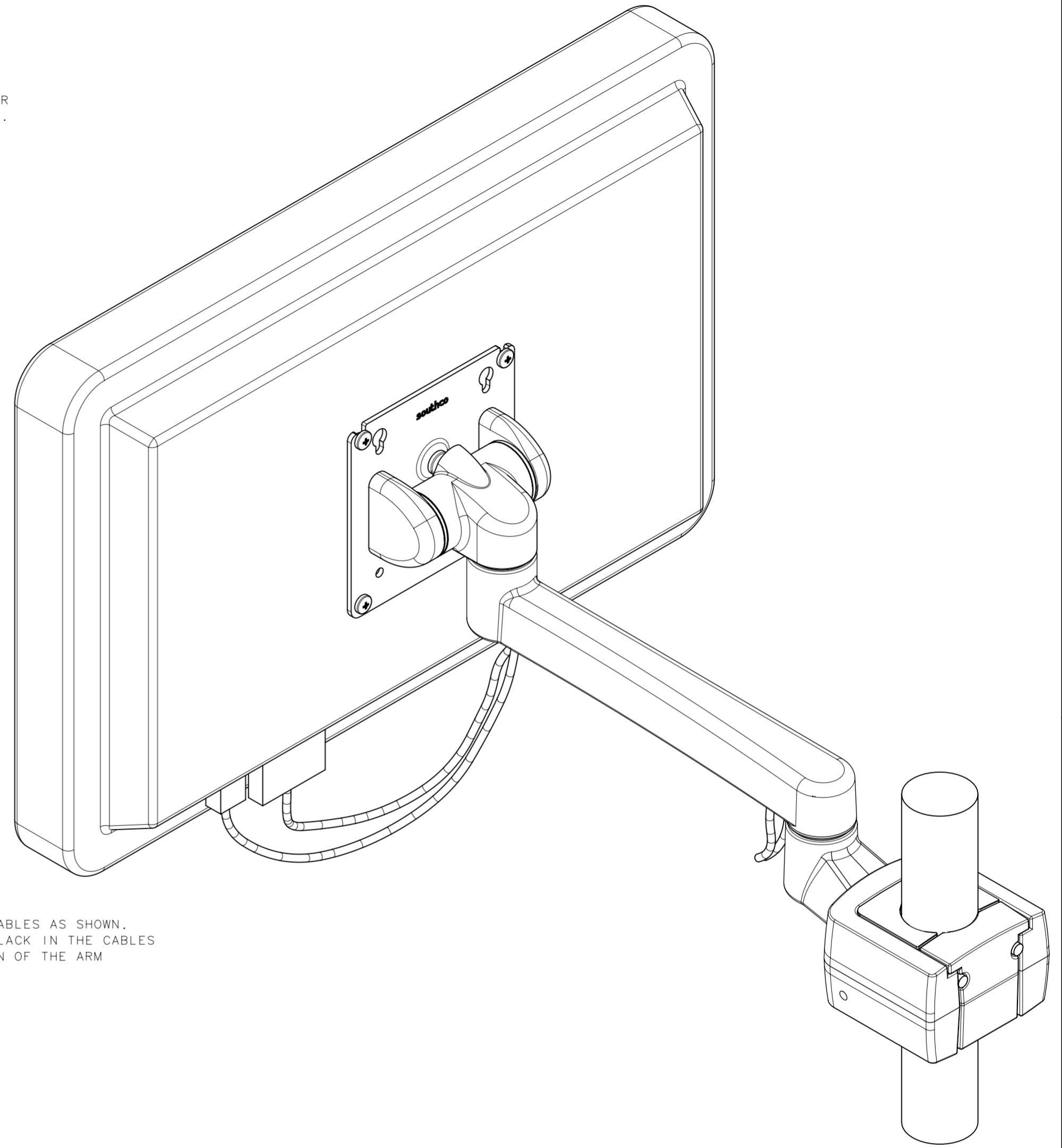
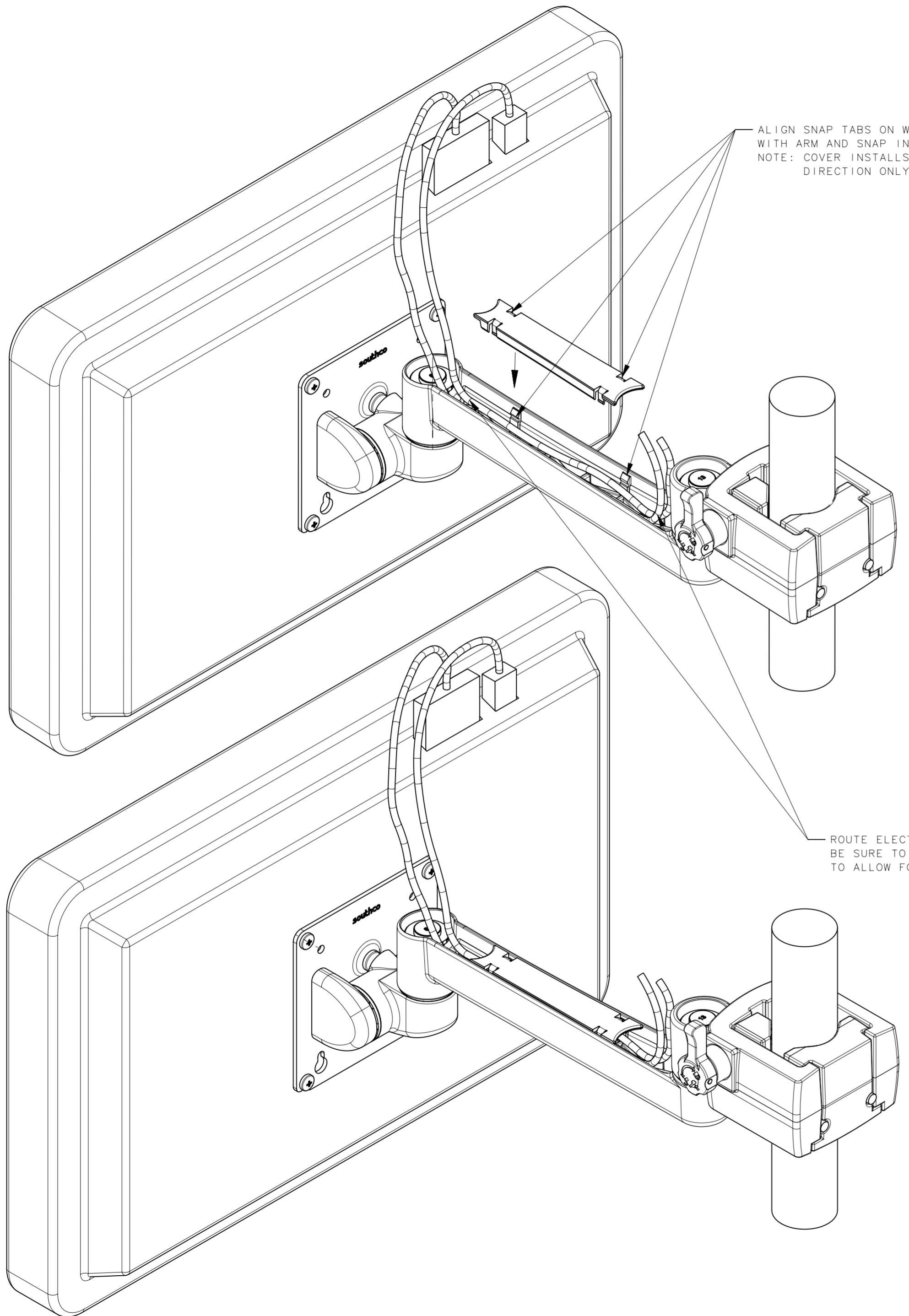
4

3

2

1

REVISION HISTORY			
REV	DATE	BY	DESCRIPTION
B	27MAY2020	GEA/DMS	PRN: P2020-0959



	THIRD ANGLE PROJECTION	southco CONNECT · CREATE · INNOVATE
	MILLIMETERS [IN]	
SURFACE AREA	TOLERANCES UNLESS OTHERWISE NOTED	DESCRIPTION TILT & SWIVEL DISPLAY MOUNT SINGLE ARM POLE MOUNT
VOLUME	ALL DIMENSIONS WITHOUT TOLERANCES ARE FOR REFERENCE ONLY.	SIZE SYSTEM A2 NX
PROPRIETARY ITEM EXCEPT FOR USES EXPRESSLY GRANTED IN WRITING, INFORMATION DISCLOSED HEREON IS CONFIDENTIAL AND ALL RIGHTS, PATENT AND OTHERWISE, ARE RESERVED BY SOUTHCO, INC.	PER ASME Y14.5M-1994	DWG NO. J-AV-D32-23A161
		DRAWN BY DMS/GEA
		DATE 26APR2018
		SCALE 1:2
		SHEET 3 OF 3

8

7

6

5

4

3

2

1