

NOTES:

A. MATERIAL AND FINISH:

SIDE PLATE A - SEE PART NUMBER DESCRIPTION  
 SIDE PLATE B - SEE PART NUMBER DESCRIPTION  
 ROD END - SEE PART NUMBER DESCRIPTION  
 LONG & SHORT RIVET - STAINLESS STEEL, PASSIVATE  
 ROLLER - NYLON, BLACK

A. COSMETIC SPECIFICATION:

ALL SURFACES UNLESS OTHERWISE NOTED ARE TO CONFORM TO A CLASS \*C\* DESIGNATION AS DESCRIBED IN SOUTHCO COSMETIC SPECIFICATION:  
 S-121-02 FOR ZINC PLATING  
 S-121-03 FOR POWDER COATING  
 S-121-04 FOR PLASTIC PARTS  
 S-121-05 FOR STAINLESS STEEL PARTS

B. RoHS COMPLIANT.

<b>southco</b>				PROPRIETARY ITEM - EXCEPT FOR USES EXPRESSLY GRANTED IN WRITING, INFORMATION DISCLOSED HEREON IS CONFIDENTIAL AND ALL RIGHTS, PATENT AND OTHERWISE ARE RESERVED BY SOUTHCO, INC.
REV	DATE	DRAWN/CHKD	DESCRIPTION	
1	23AUG2006	DLH	COMBINED +/- OFFSETS TO (1) DRAWING	

CR 15mm OFFSET ROD END ASSEMBLY

DATE	DRAWN	CHKD	SCALE	DRAWING NUMBER
15AUG2006	DLH	XXX	75:1	J-CR-51-15

MILLIMETERS

ALL DIMENSIONS WITHOUT TOLERANCES ARE FOR REFERENCE ONLY.



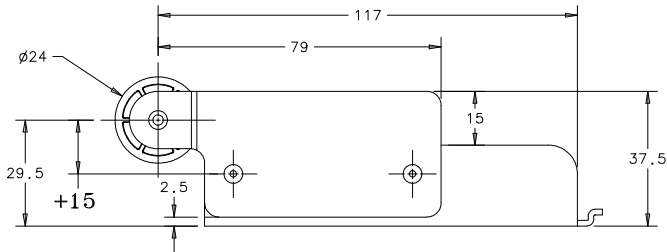
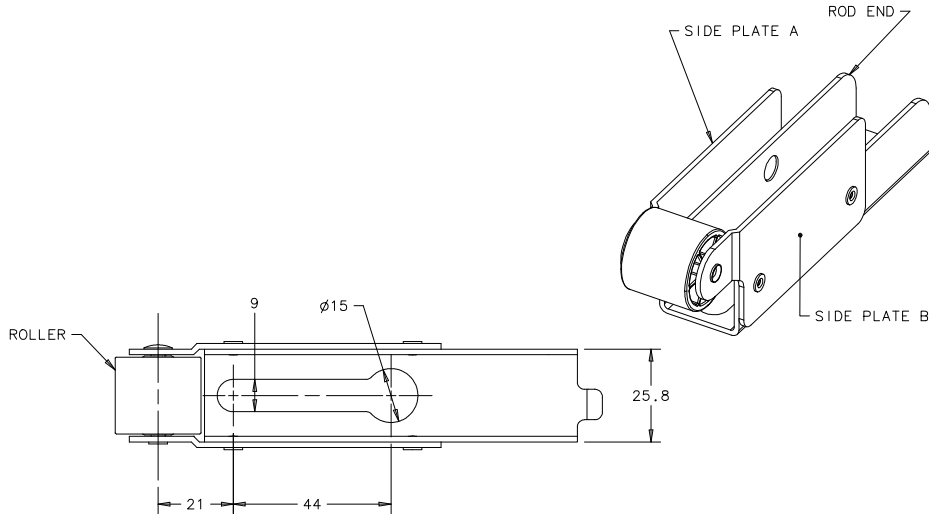
PART NUMBER: CR-5X-15-XX

OFFSET

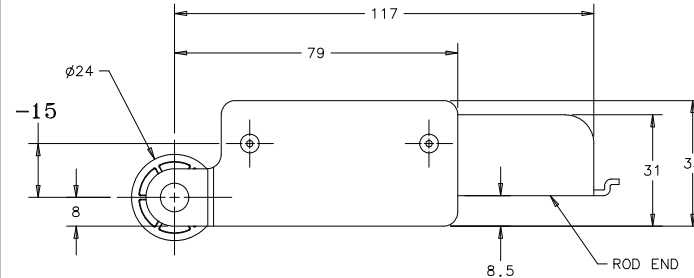
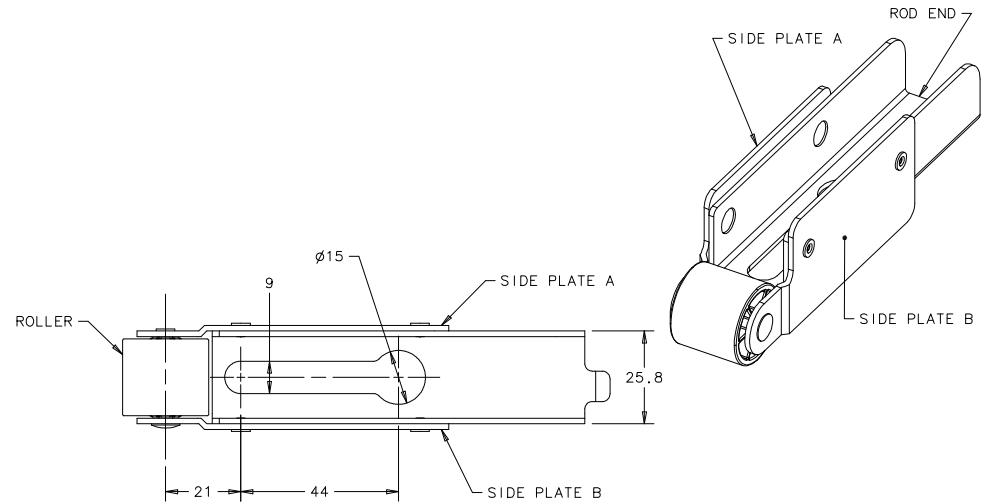
- 1 = +15mm OFFSET
- 2 = -15mm OFFSET

ROD END, SIDE PLATES A & B

- 12 - STEEL, ZINC PLATE BRIGHT CHROMATE, PLUS SEALER
- 18 - STEEL, ZINC PLATE BRIGHT CHROMATE, PLUS SEALER + CLEAR POWDER COAT
- 24 - STAINLESS STEEL, PASSIVATE



+ 15mm OFFSET



- 15mm OFFSET